

GARIS®

## CONCEALED SLIDE SERIES

Concealed and invisible,  
should hide inside

GARIS Concealed Slide series can meet all kinds of different cabinet board's needs, whether it is wood board, or special board. GARIS Concealed Slide can be used for different material objects and different usage scenarios, to achieve a variety of collocation schemes.



Premium damper for a gentle performance experience with noise reduction. When you use Push-Open Runner, you can open in one-touch. It is handle-free, safe and convenient. High quality, easy installation, rich in product series, widely used in different style of home furnishing. Its opening and closing angle is free and stable. Small sag, safe operation, hand-squeezed prevention. Excellent material, strong load-bearing capacity; Wear-resistant, non-deformation, long-term usage, brings you easy life.



**M Series  
Concealed Slide  
285**

**Full Extension Concealed Slide**

Full Extension Concealed Slide -16mm handle type	287
Full Extension Concealed Slide -16mm bolt type	289
Full Extension Concealed Slide -19mm handle type	291
Full Extension Concealed Slide -19mm bolt type	293

**Single Extension Concealed Slide**

Single Extension Concealed Slide-16 handle type	297
Single Extension Concealed Slide -16mm bolt type	299
Single Extension Concealed Slide-19 handle type	301
Single Extension Concealed Slide -19mm bolt type	303

**G Series  
Concealed Slide  
305**

**G2 Single Extension Concealed Slide**

Single Extension Concealed Slide-16 handle type	307
Single Extension Concealed Slide -16mm bolt type	309

**BAICHUAN  
SEIRES  
311**

**M2\*90% Extension Concealed Slide**

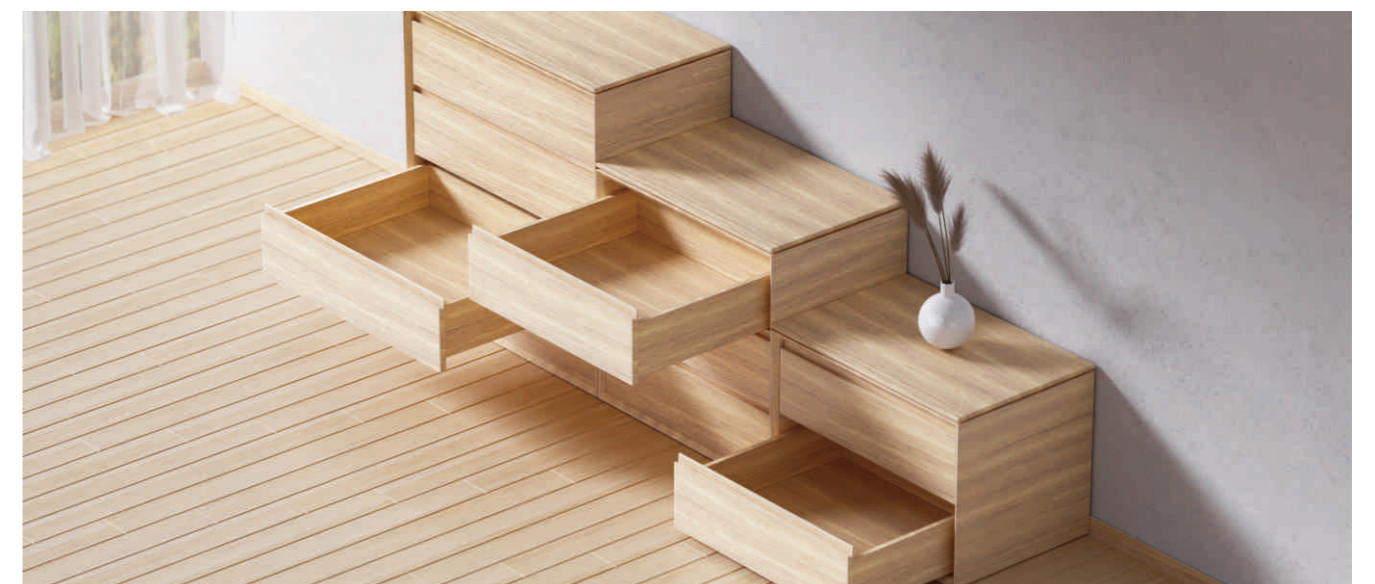
Full Extension Concealed Slide -16mm handle type	317
Full Extension Concealed Slide -16mm bolt type	319
Full Extension Concealed Slide -19mm handle type	321
Full Extension Concealed Slide -19mm bolt type	323

**G2\*90% Extension Concealed Slide**

Full Extension Concealed Slide -16mm handle type	327
Full Extension Concealed Slide -16mm bolt type	329

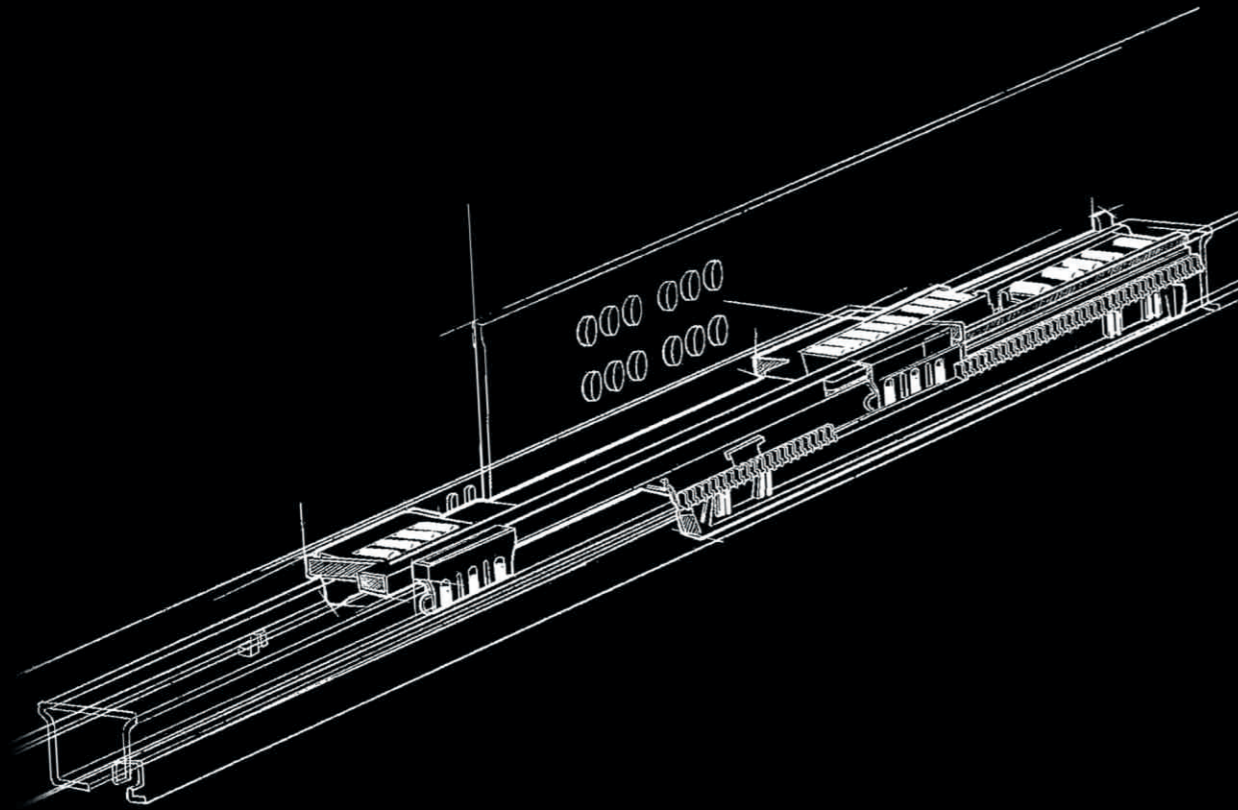
**METAL-BOX Full Extension Drawer**

METAL-BOX Full Extension Drawer G1221	333
METAL-BOX Full Extension Drawer G1222	335
METAL-BOX Full Extension Drawer G1223	337



# M Series

Three sections full pull hidden slide



## THREE SECTIONS

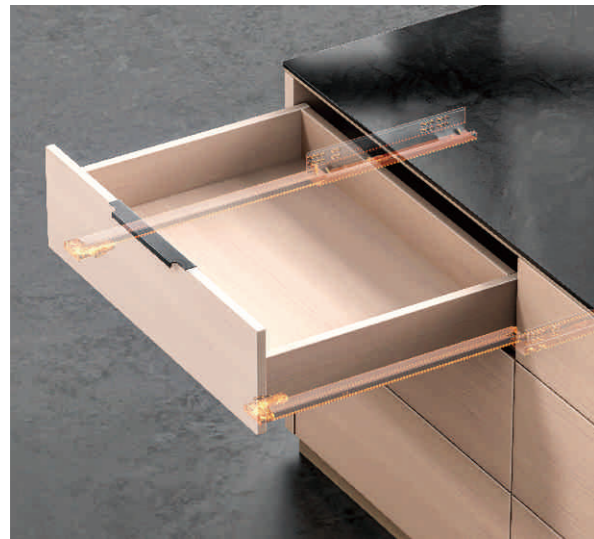
Full Extension Slide,  
Whole Drawer pull-out,  
Fully use of the entire space,  
Easy Usage.



# M Series Concealed Slide

Full Extension Concealed Slide -16mm handle type

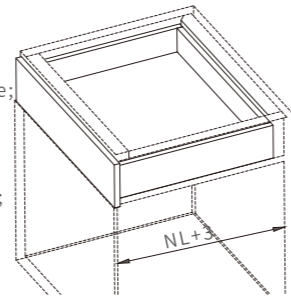
隐藏滑轨系列 CONCEALED SLIDE SERIES



## Describe

full extension noiseless wooden drawer slide;  
Synchronous running performance;  
giving you a gentle closing performance;  
One press to disassemble;  
Built-in height adjustment  $\pm 2\text{mm}$ ;  
Built-in horizontal adjustment  $\pm 2\text{mm}$ .

## Space required



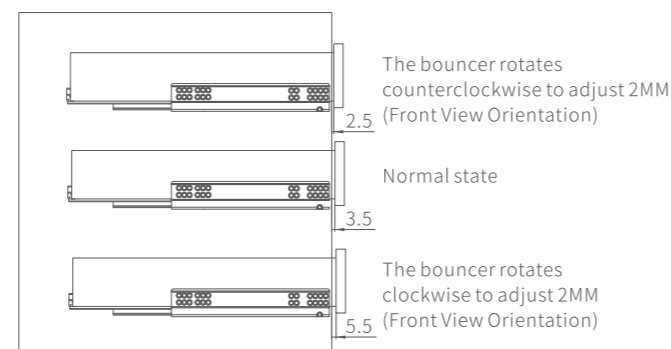
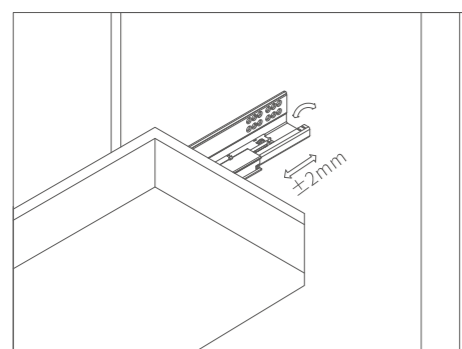
- Soft closing
- Push open
- Max load bearing
- Full Extension Slide
- connecting installation technology

## Product information



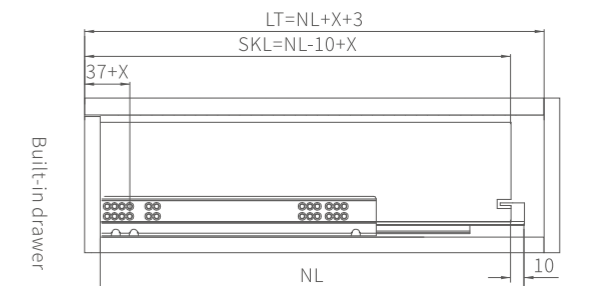
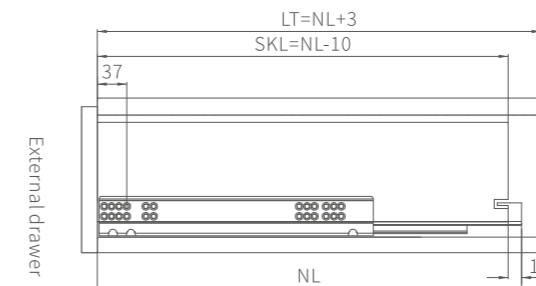
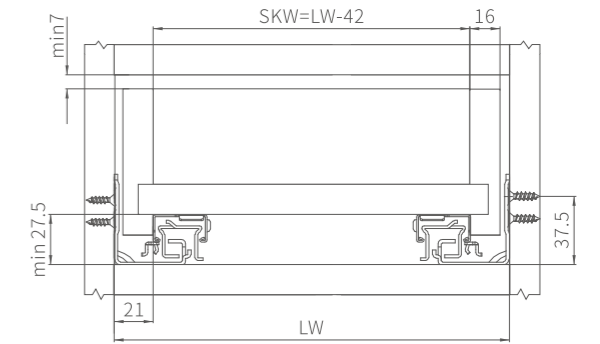
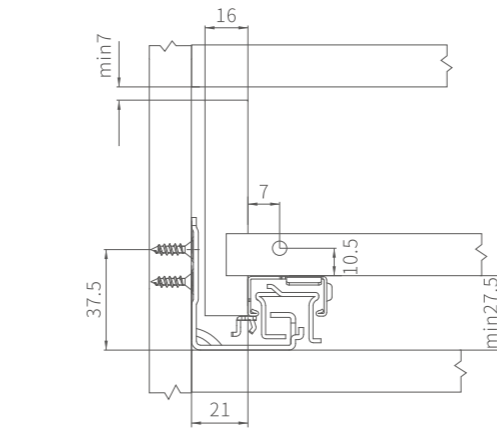
M Series Full Extension Concealed Slide -16mm handle type			
Nominal Length	Soft-Closing Slide	push-open slide	Amount
270	M5001-270	M5011-270	10SET
300	M5001-300	M5011-300	10SET
350	M5001-350	M5011-350	10SET
400	M5001-400	M5011-400	10SET
450	M5001-450	M5011-450	10SET
500	M5001-500	M5011-500	10SET
550	M5001-550	M5011-550	10SET

## Push open adjustment

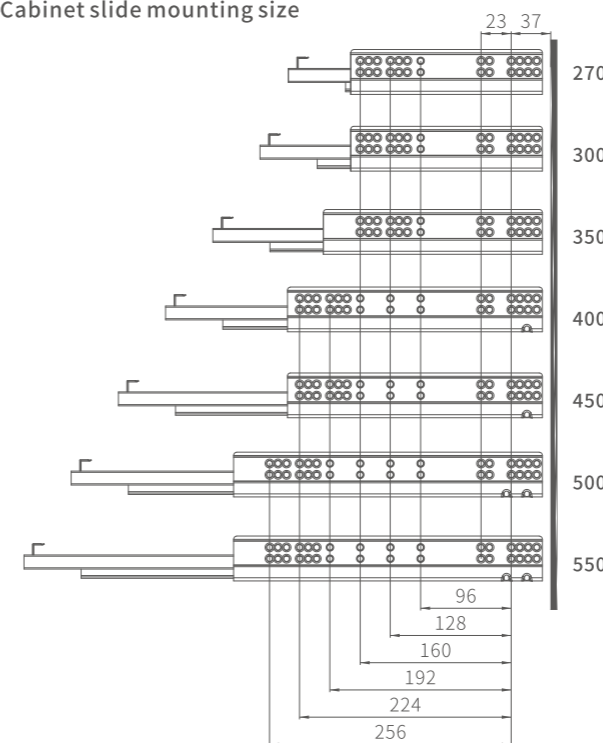


## Space requirements of the inner cabinet installation

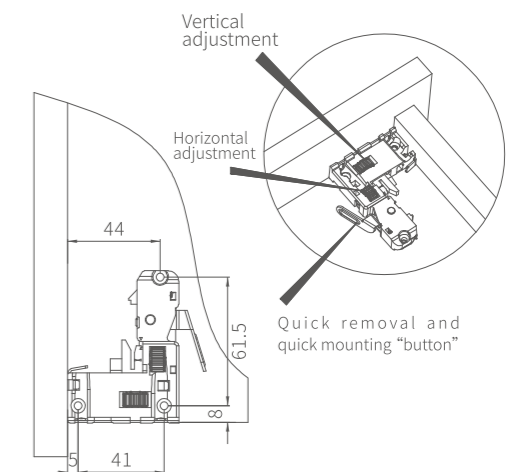
SKL Drawer length SKW Drawer base plate net width LW Cabinet net width NL Slide rail net width



## Cabinet slide mounting size



## Drawer mounting hole map



# M Series Concealed Slide

Full Extension Concealed Slide -16mm bolt type

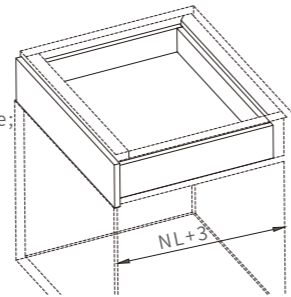
隱藏滑軌系列 CONCEALED SLIDE SERIES



## Describe

Full extension noiseless wooden drawer slide; with latch and built-in damper; Synchronous running performance; Quietly and smoothly; Can achieve quick removal and quick mounting without tool; For cabinet bottom panel installation;

## Space required



NL

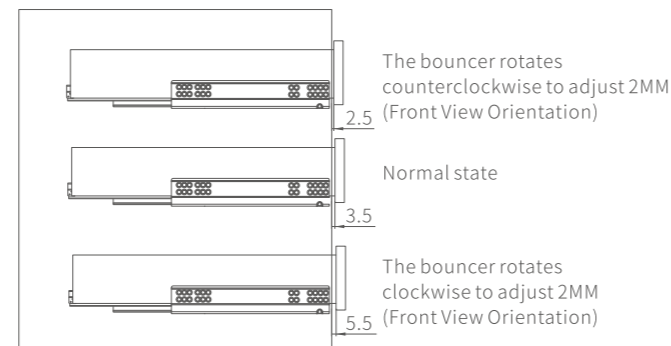
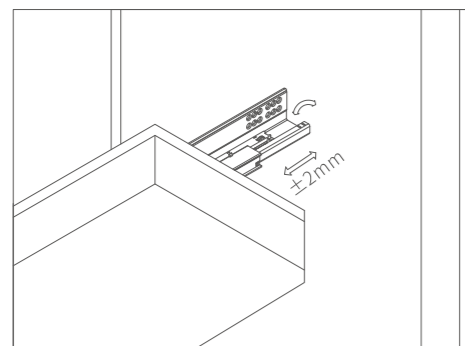


## Product information



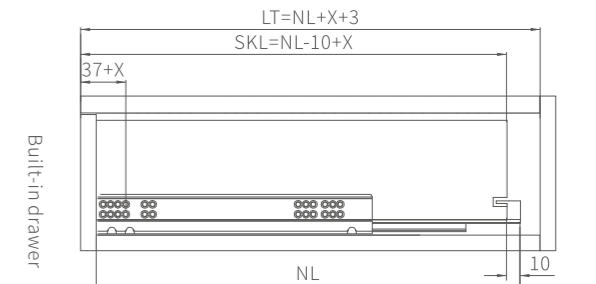
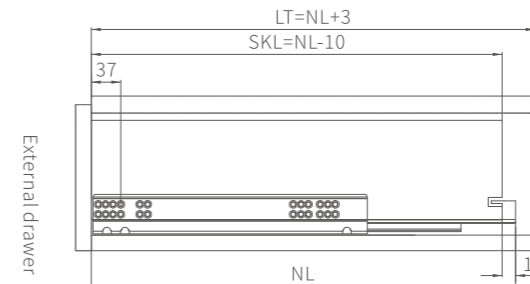
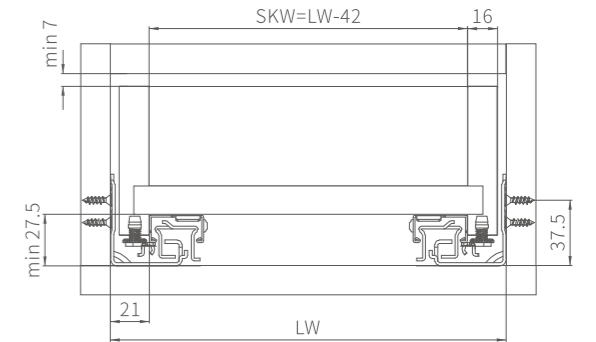
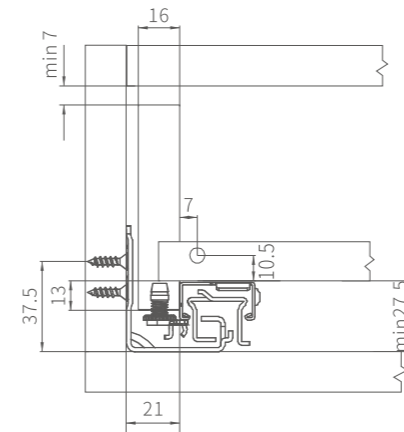
M Series Full Extension Concealed Slide -16mm bolt type			
Nominal Length	Soft-Closing Slide	push-open slide	Amount
270	M5002-270	M5012-270	10SET
300	M5002-300	M5012-300	10SET
350	M5002-350	M5012-350	10SET
400	M5002-400	M5012-400	10SET
450	M5002-450	M5012-450	10SET
500	M5002-500	M5012-500	10SET
550	M5002-550	M5012-550	10SET

## Push open adjustment

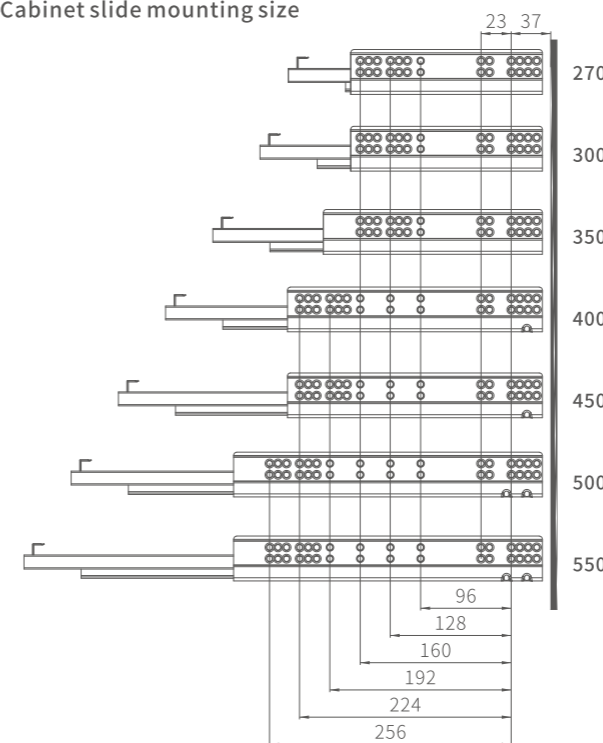


## Space requirements of the inner cabinet installation

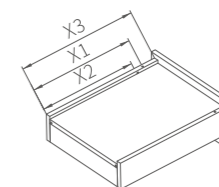
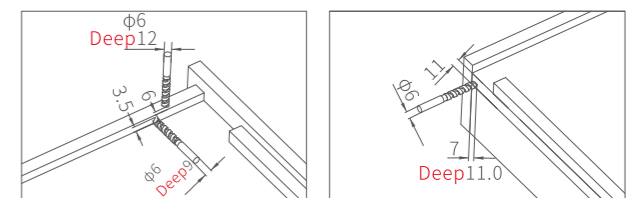
SKL Drawer length SKW Drawer base plate net width LW Cabinet net width NL Slide rail net width



## Cabinet slide mounting size



## Drawer mounting hole map

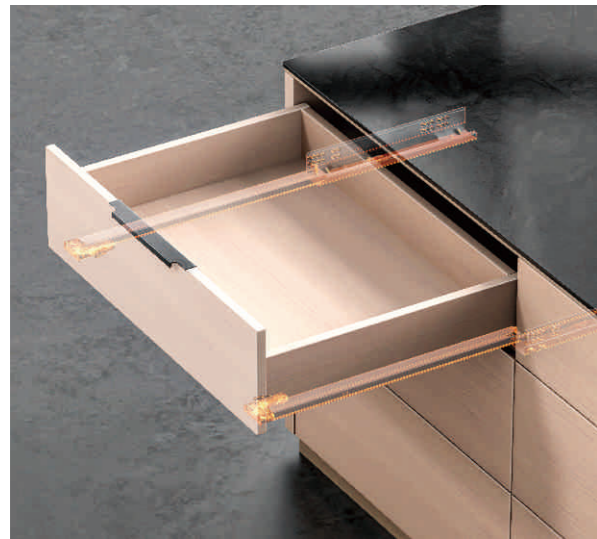


Nominal Length	Fixed bolt hole X1	Anti-falling bolt hole X2	Drawer length X3
250mm	200mm	245mm	260mm
300mm	230mm	275mm	290mm
350mm	280mm	325mm	340mm
400mm	330mm	375mm	390mm
450mm	380mm	425mm	440mm
500mm	430mm	475mm	490mm
550mm	480mm	525mm	540mm

# M Series Concealed Slide

Full Extension Concealed Slide -16mm handle type

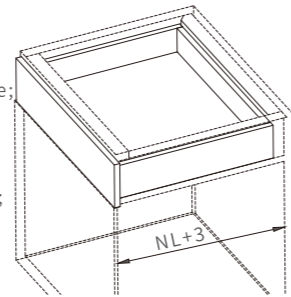
隱藏滑軌系列 CONCEALED SLIDE SERIES



## Describe

full extension noiseless wooden drawer slide;  
Synchronous running performance;  
giving you a gentle closing performance;  
One press to disassemble;  
Built-in height adjustment  $\pm 2\text{mm}$ ;  
Built-in horizontal adjustment  $\pm 2\text{mm}$ .

## Space required



NL



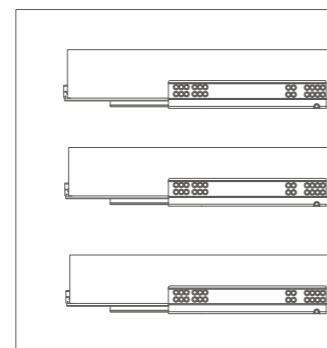
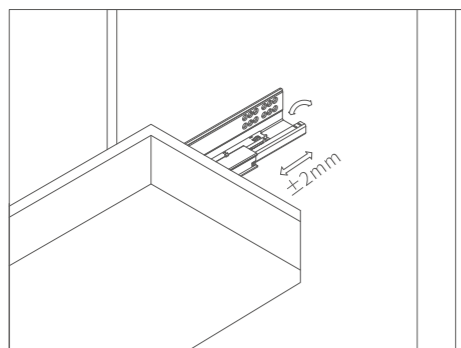
## Product information



M Series Full Extension Concealed Slide -19mm handle type

Nominal Length	Soft-Closing Slide	push-open slide	Amount
270	M5003-270	M5013-270	10SET
300	M5003-300	M5013-300	10SET
350	M5003-350	M5013-350	10SET
400	M5003-400	M5013-400	10SET
450	M5003-450	M5013-450	10SET
500	M5003-500	M5013-500	10SET
550	M5003-550	M5013-550	10SET

## Push open adjustment



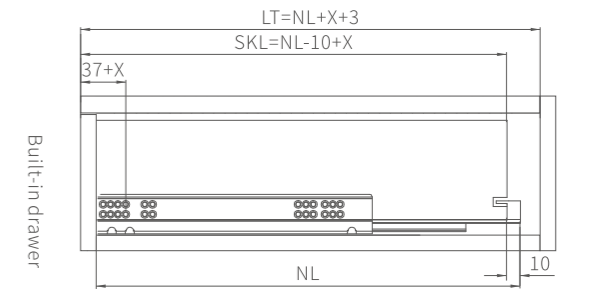
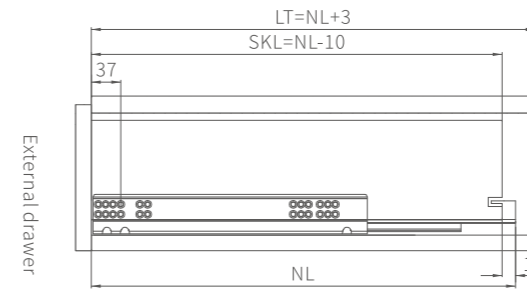
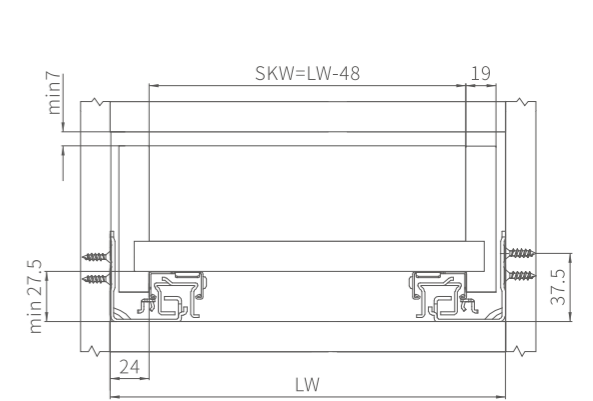
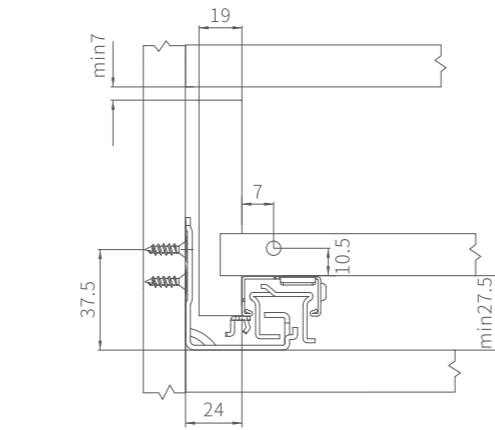
The bouncer rotates counterclockwise to adjust 2MM (Front View Orientation)

Normal state

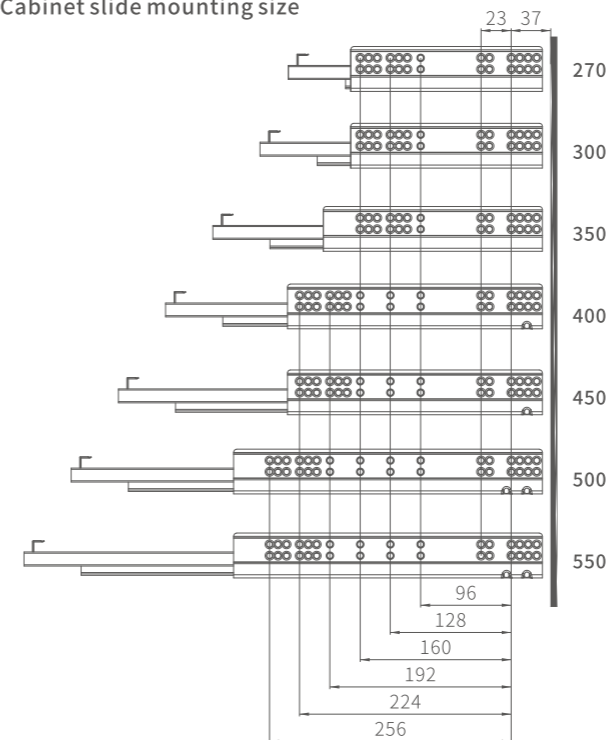
The bouncer rotates clockwise to adjust 2MM (Front View Orientation)

## Space requirements of the inner cabinet installation

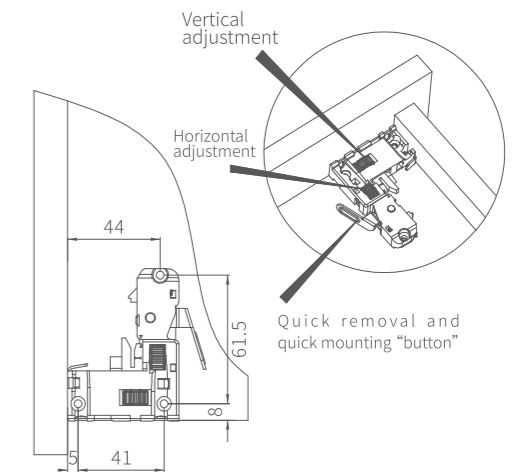
SKL Drawer length SKW Drawer base plate net width LW Cabinet net width NL Slide rail net width



## Cabinet slide mounting size



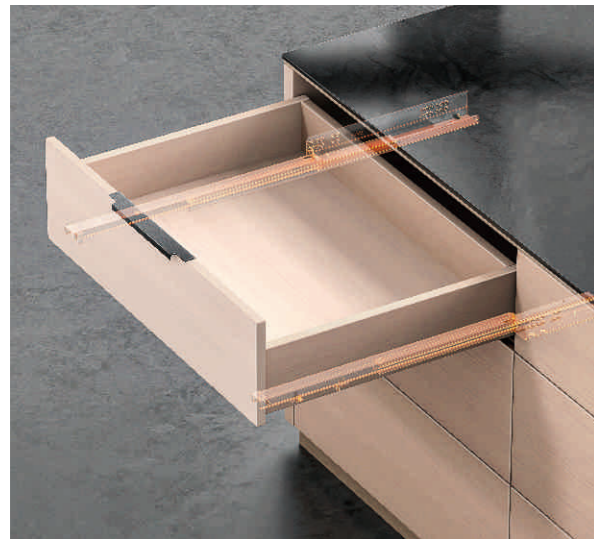
## Drawer mounting hole map



# M Series Concealed Slide

Full Extension Concealed Slide -19mm bolt type

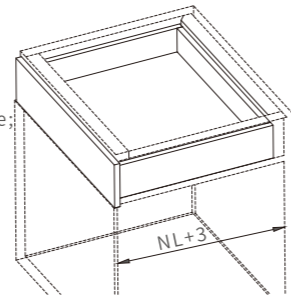
隱藏滑軌系列 CONCEALED SLIDE SERIES



## Describe

Full extension noiseless wooden drawer slide; with latch and built-in damper; Synchronous running performance; Quietly and smoothly; Can achieve quick removal and quick mounting without tool; For cabinet bottom panel installation;

## Space required



NL

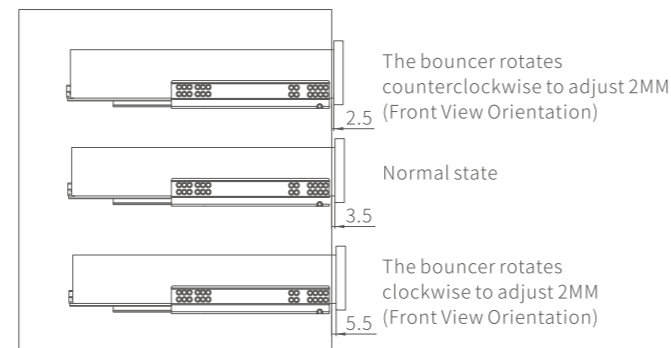
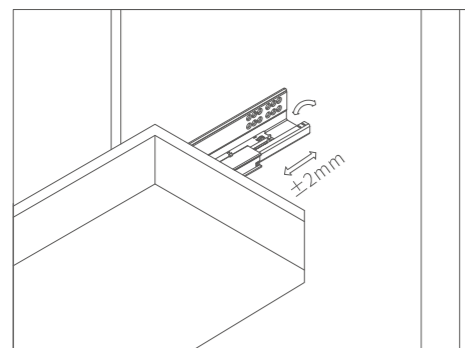


## Product information



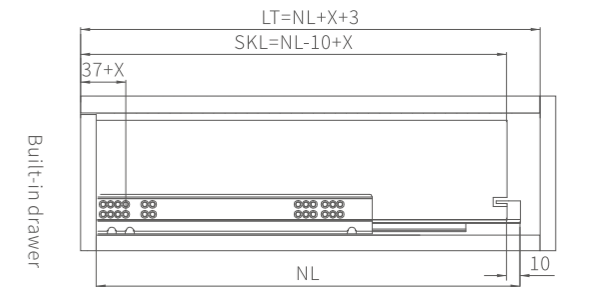
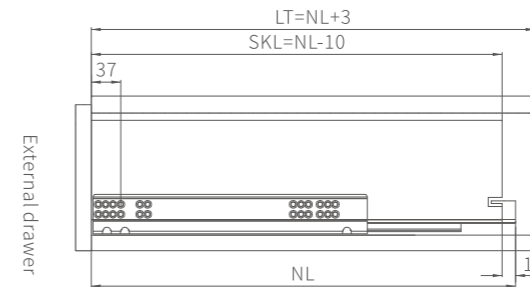
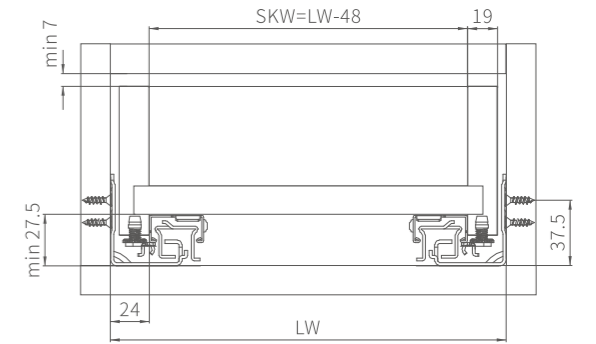
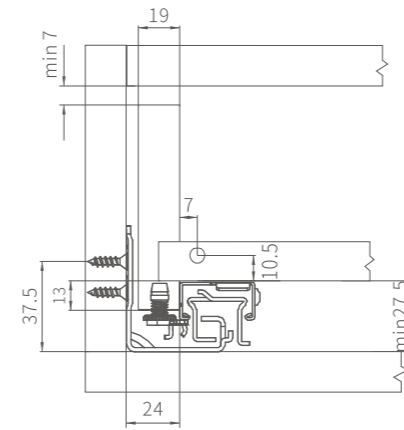
M Series Full Extension Concealed Slide -19mm bolt t ype			
Nominal Length	Soft-Closing Slide	push-open slide	Amount
270	M5004-270	M5014-270	10SET
300	M5004-300	M5014-300	10SET
350	M5004-350	M5014-350	10SET
400	M5004-400	M5014-400	10SET
450	M5004-450	M5014-450	10SET
500	M5004-500	M5014-500	10SET
550	M5004-550	M5014-550	10SET

## Push open adjustment

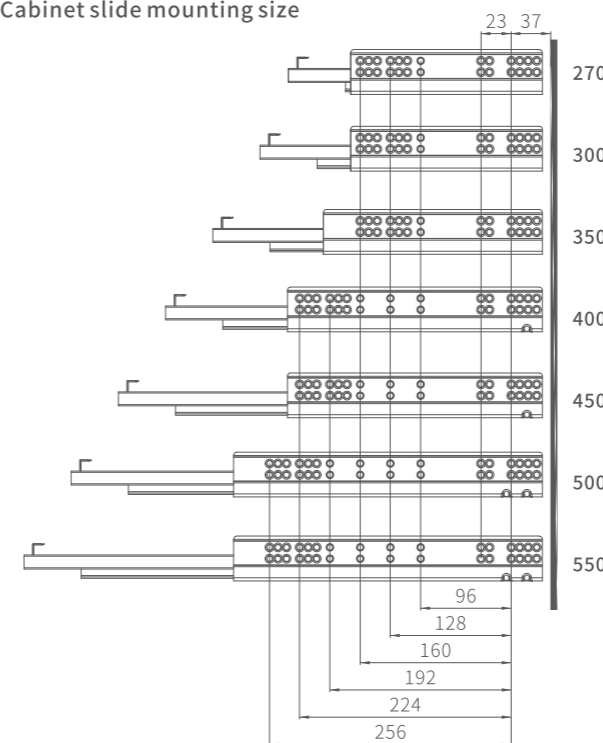


## Space requirements of the inner cabinet installation

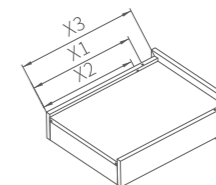
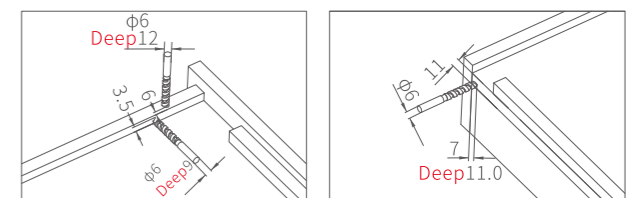
SKL Drawer length SKW Drawer base plate net width LW Cabinet net width NL Slide rail net width



## Cabinet slide mounting size



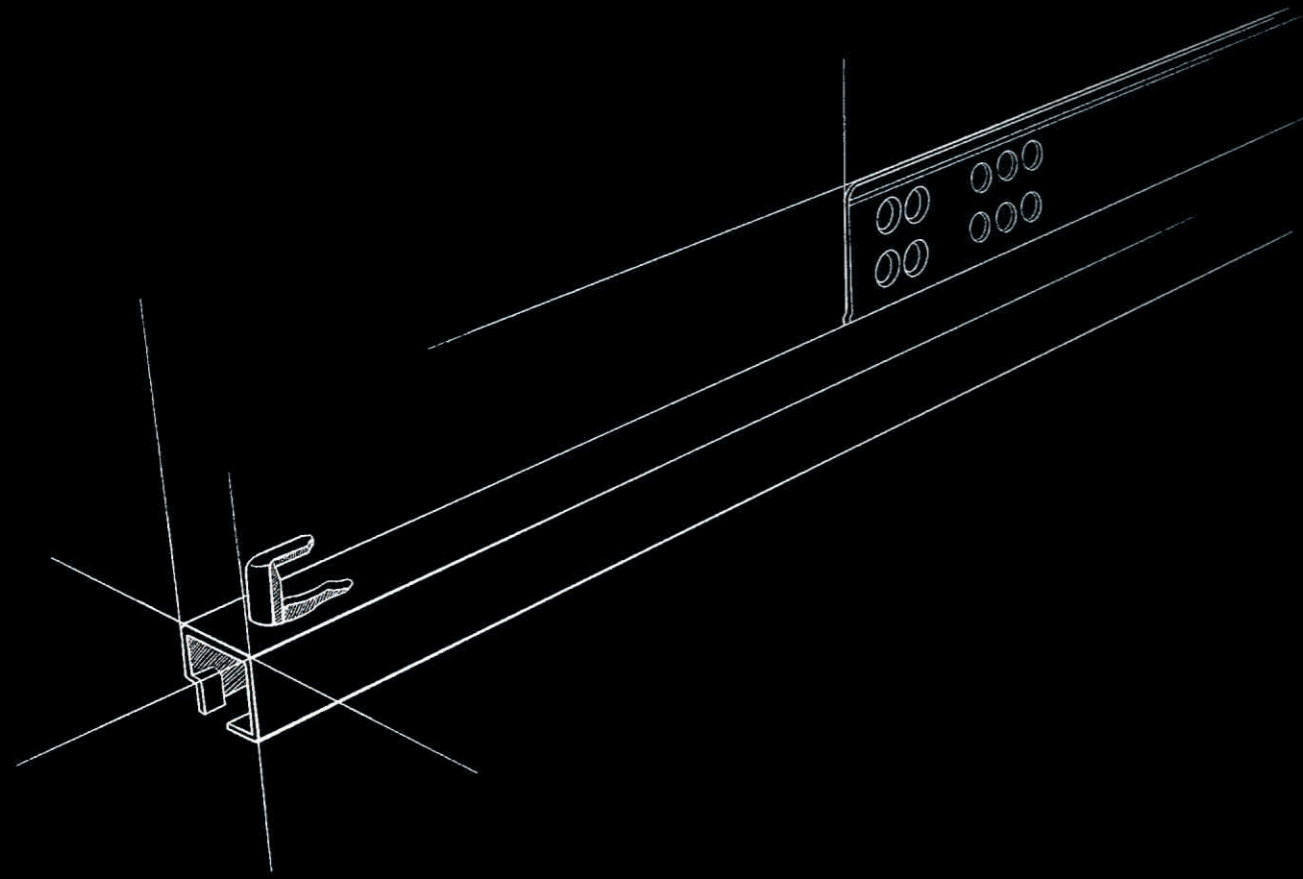
## Drawer mounting hole map



Nominal Length	Fixed bolt hole X1	Anti-falling bolt hole X2	Drawer length X3
250mm	200mm	245mm	260mm
300mm	230mm	275mm	290mm
350mm	280mm	325mm	340mm
400mm	330mm	375mm	390mm
450mm	380mm	425mm	440mm
500mm	430mm	475mm	490mm
550mm	480mm	525mm	540mm

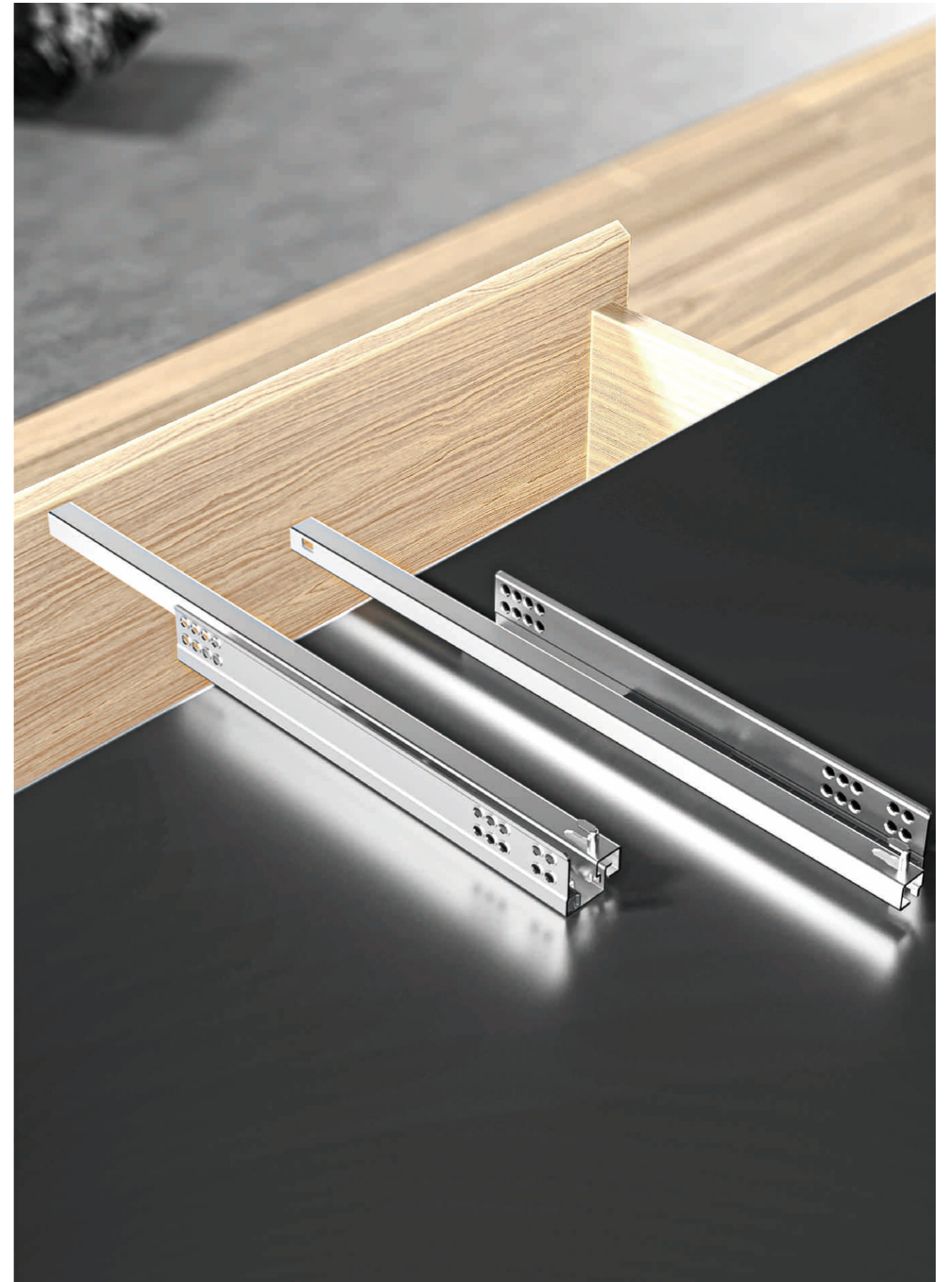
# M Series

Single Extension Concealed Slide



## CONCEAL

Concealed slide,  
More simple and beautiful.  
From smooth running without noise,  
show you aesthetic but Slide.





# M Series Concealed Slide

Single Extension Concealed Slide-16 handle type

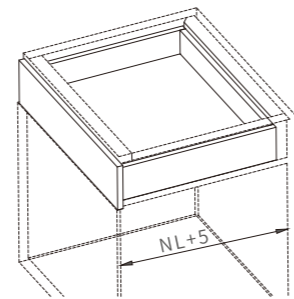
隱藏滑軌系列 CONCEALED SLIDE SERIES



## Describe

Single extension noiseless wooden drawer slide; Synchronous running performance; Giving you a gentle closing performance; One press to disassemble; Built-in height adjustment 0~+3mm.

## Space required



NL

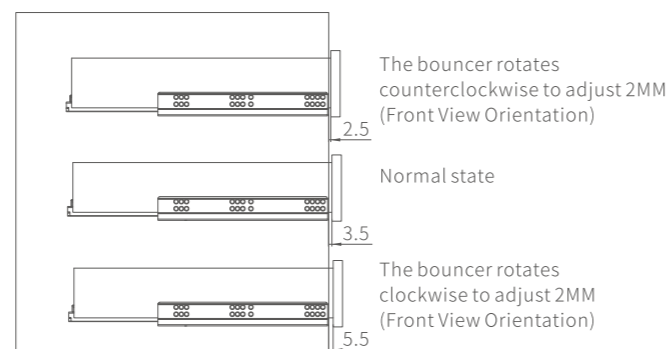
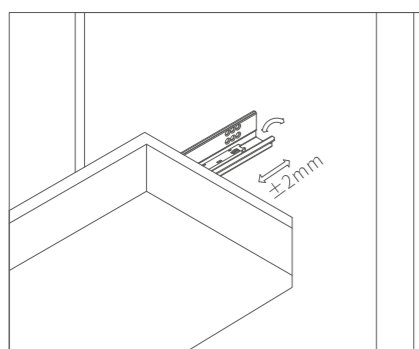


## Product information



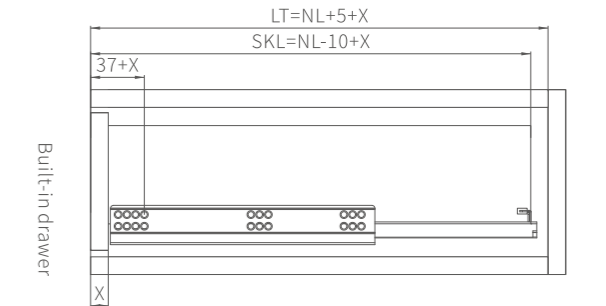
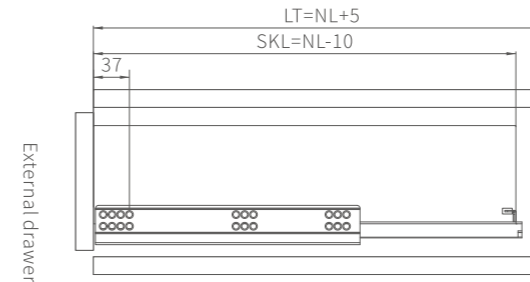
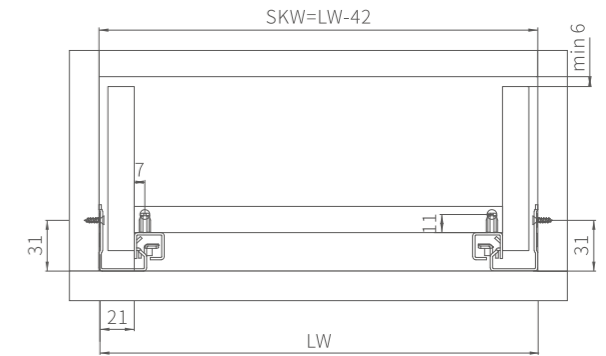
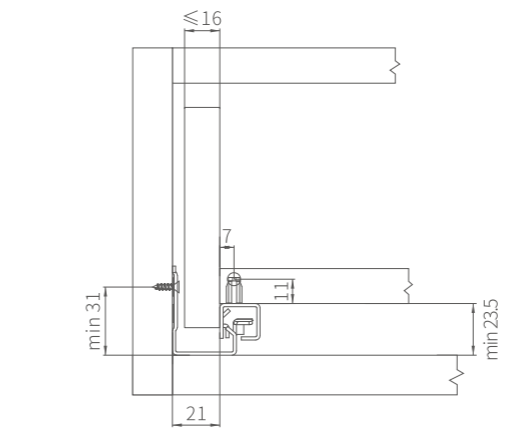
M Series Single Extension Concealed Slide-16 handle type			
Nominal Length	Soft-Closing Slide	push-open slide	Amount
250	M5601-250	M5611-250	10SET
300	M5601-300	M5611-300	10SET
350	M5601-350	M5611-350	10SET
400	M5601-400	M5611-400	10SET
450	M5601-450	M5611-450	10SET
500	M5601-500	M5611-500	10SET
550	M5601-550	M5611-550	10SET

## Push open adjustment

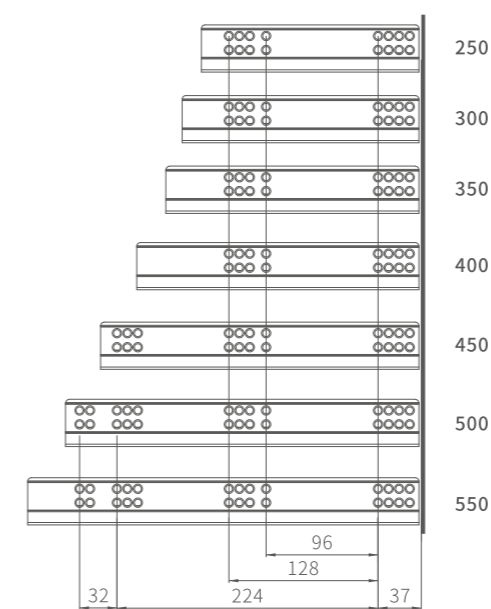


## Space requirements of the inner cabinet installation

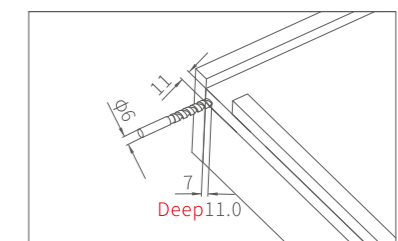
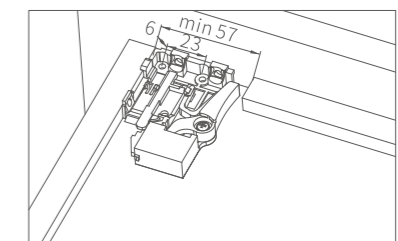
SKL Drawer length SKW Drawer base plate net width LW Cabinet net width NL Slide rail net width LT Cabinet depth



## Cabinet slide mounting size



## Drawer mounting hole map



# M Series Concealed Slide

Single Extension Concealed Slide-16 bolt type

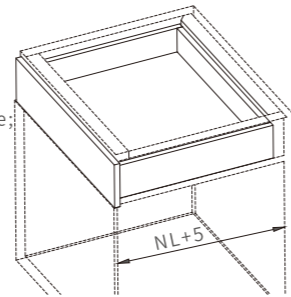
隐藏滑轨系列 CONCEALED SLIDE SERIES



## Describe

Single extension noiseless wooden drawer slide; with latch and built-in damper; Synchronous running performance; Quietly and smoothly; Can achieve quick removal and quick mounting without tool; For cabinet bottom panel installation;

## Space required



NL



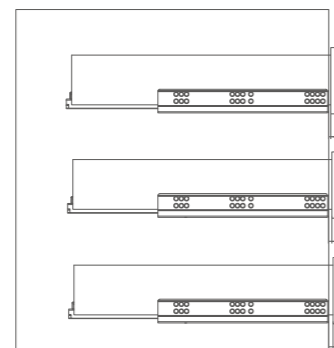
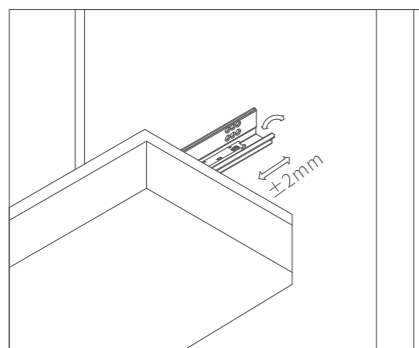
## Product information



M Series Single Extension Concealed Slide-16 bolt type

Nominal Length	Soft-Closing Slide	push-open slide	Amount
250	M5602-250	M5612-250	10SET
300	M5602-300	M5612-300	10SET
350	M5602-350	M5612-350	10SET
400	M5602-400	M5612-400	10SET
450	M5602-450	M5612-450	10SET
500	M5602-500	M5612-500	10SET
550	M5602-550	M5612-550	10SET

## Push open adjustment



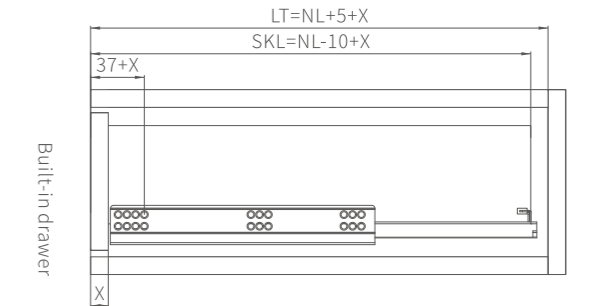
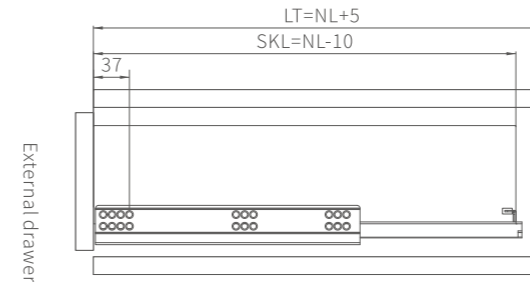
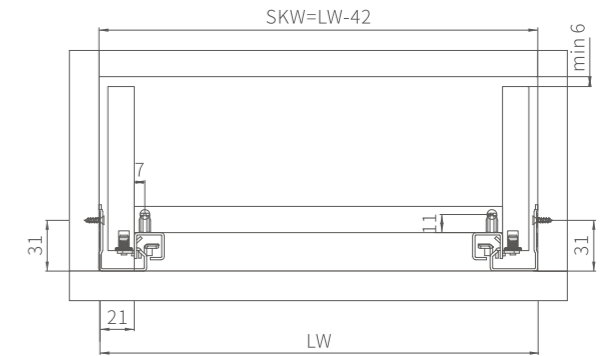
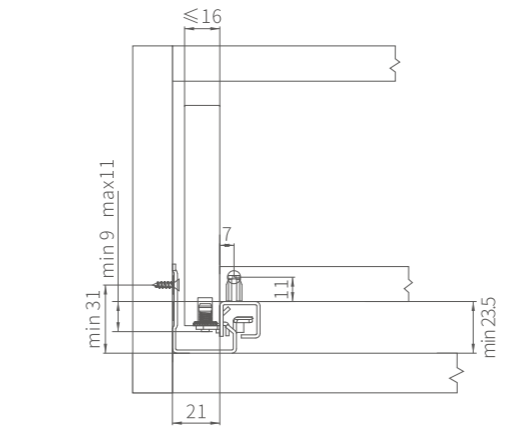
The bouncer rotates counterclockwise to adjust 2MM (Front View Orientation)

Normal state

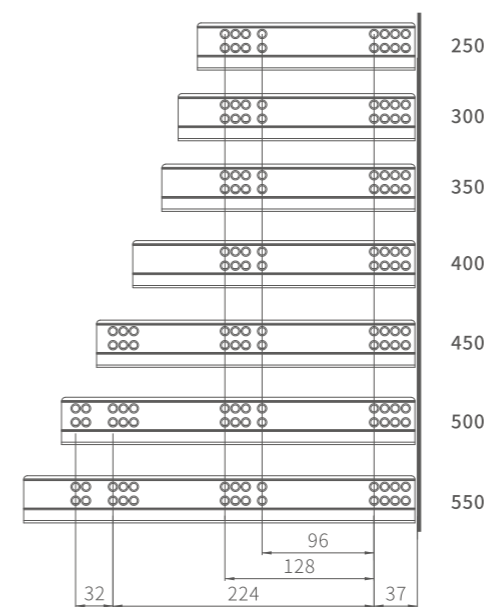
The bouncer rotates clockwise to adjust 2MM (Front View Orientation)

## Space requirements of the inner cabinet installation

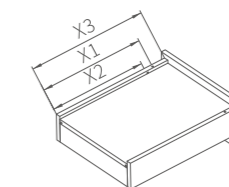
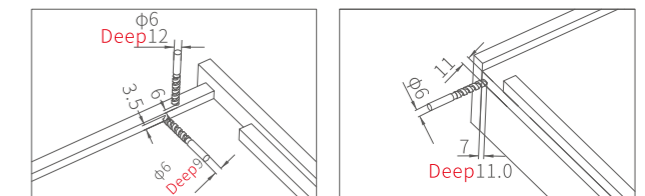
SKL Drawer length SKW Drawer base plate net width LW Cabinet net width NL Slide rail net width LT Cabinet depth



## Cabinet slide mounting size



## Drawer mounting hole map

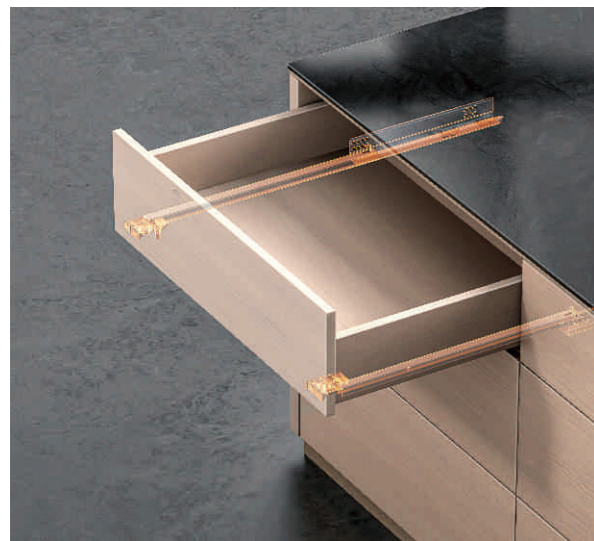


Nominal Length	Fixed bolt hole X1	Anti-falling bolt hole X2	Drawer length X3
250mm	220mm	188mm	240mm
300mm	245mm	213mm	290mm
350mm	270mm	238mm	340mm
400mm	305mm	273mm	390mm
450mm	330mm	298mm	440mm
500mm	355mm	323mm	490mm
550mm	390mm	358mm	540mm

# M Series Concealed Slide

Single Extension Concealed Slide-19 handle type

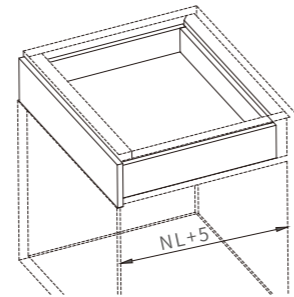
隱藏滑軌系列 CONCEALED SLIDE SERIES



## Describe

Single extension noiseless wooden drawer slide; Synchronous running performance; Giving you a gentle closing performance; One press to disassemble; Built-in height adjustment 0~+3mm.

## Space required



NL

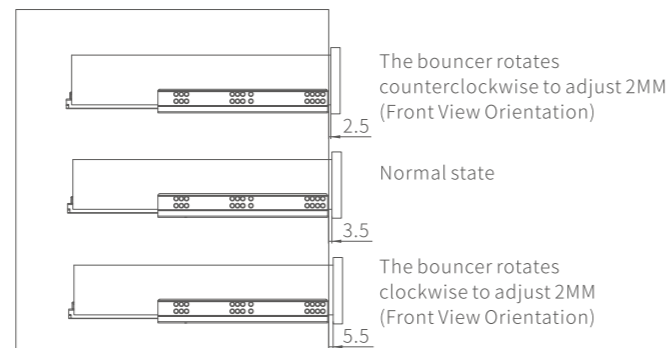
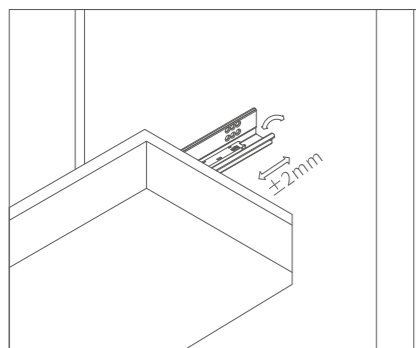


## Product information



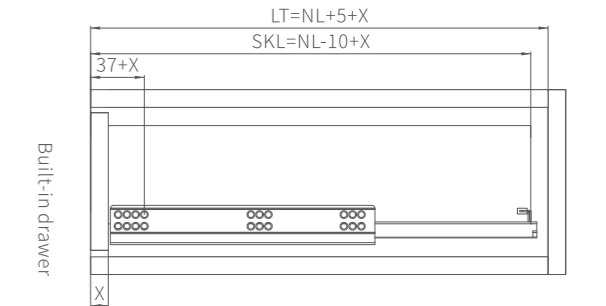
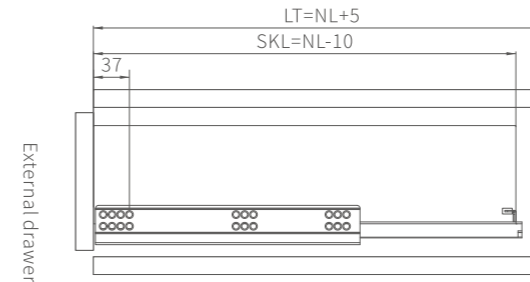
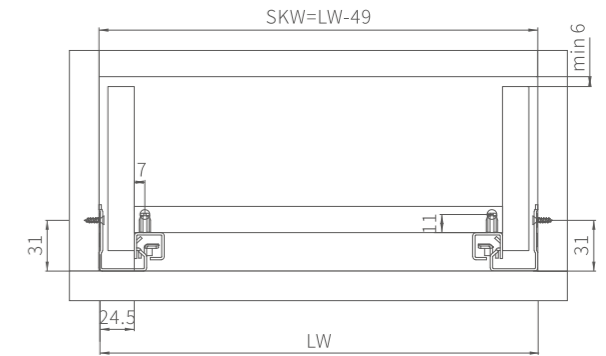
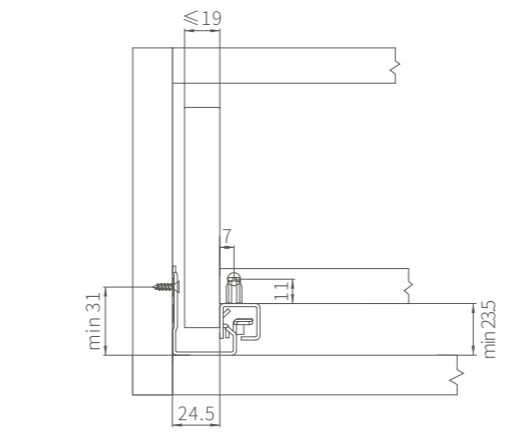
M Series Single Extension Concealed Slide-19 handle type			
Nominal Length	Soft-Closing Slide	push-open slide	Amount
250	M5603-250	M5613-250	10SET
300	M5603-300	M5613-300	10SET
350	M5603-350	M5613-350	10SET
400	M5603-400	M5613-400	10SET
450	M5603-450	M5613-450	10SET
500	M5603-500	M5613-500	10SET
550	M5603-550	M5613-550	10SET

## Push open adjustment

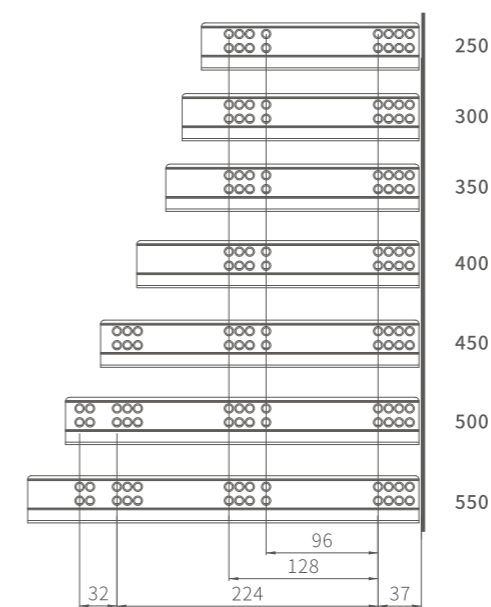


## Space requirements of the inner cabinet installation

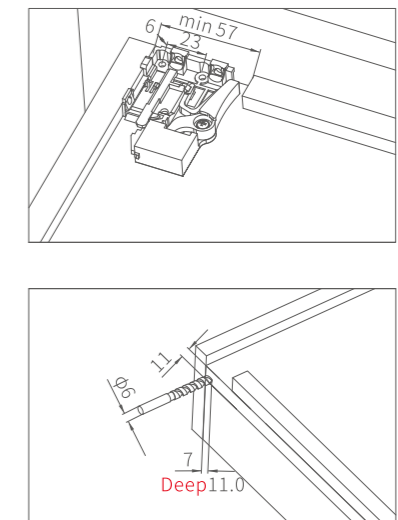
SKL Drawer length SKW Drawer base plate net width LW Cabinet net width NL Slide rail net width LT Cabinet depth



## Cabinet slide mounting size



## Drawer mounting hole map



# M Series Concealed Slide

Single Extension Concealed Slide-19 bolt type

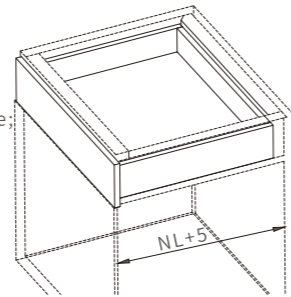
隱藏滑軌系列 CONCEALED SLIDE SERIES



## Describe

Single extension noiseless wooden drawer slide; with latch and built-in damper; Synchronous running performance; Quietly and smoothly; Can achieve quick removal and quick mounting without tool; For cabinet bottom panel installation;

## Space required



NL



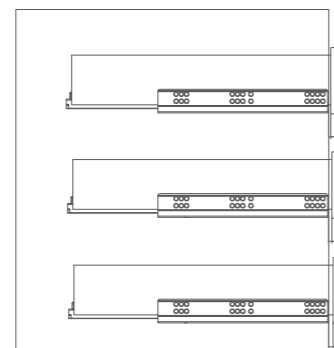
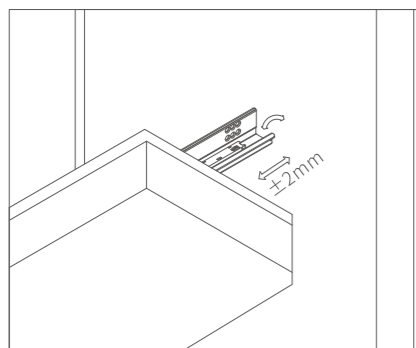
## Product information



M Series Single Extension Concealed Slide-19 bolt type

Nominal Length	Soft-Closing Slide	push-open slide	Amount
250	M5604-250	M5614-250	10SET
300	M5604-300	M5614-300	10SET
350	M5604-350	M5614-350	10SET
400	M5604-400	M5614-400	10SET
450	M5604-450	M5614-450	10SET
500	M5604-500	M5614-500	10SET
550	M5604-550	M5614-550	10SET

## Push open adjustment



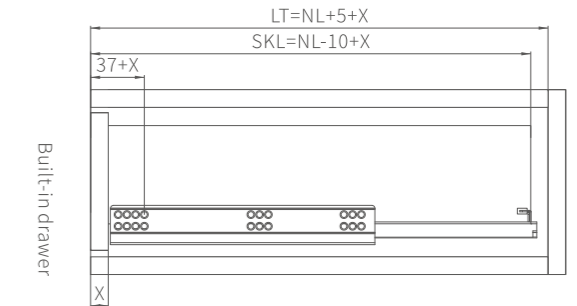
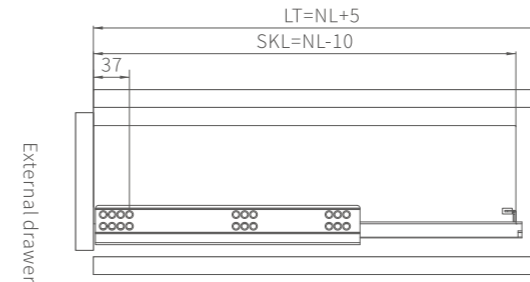
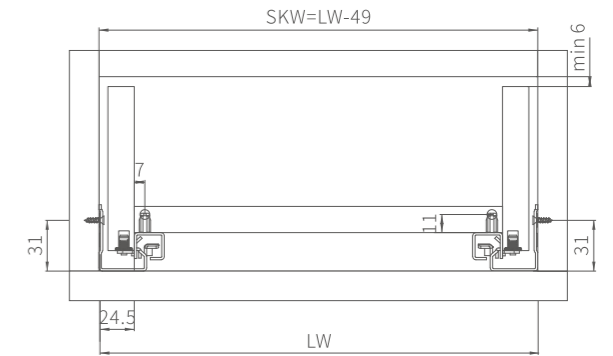
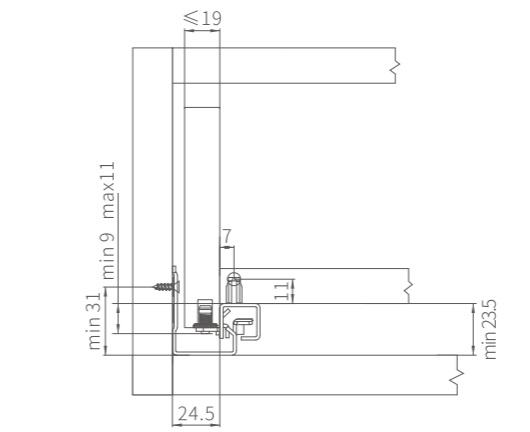
The bouncer rotates counterclockwise to adjust 2MM (Front View Orientation)

Normal state

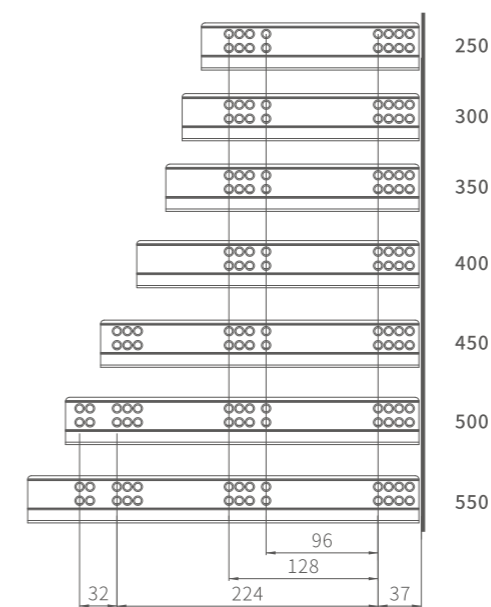
The bouncer rotates clockwise to adjust 2MM (Front View Orientation)

## Space requirements of the inner cabinet installation

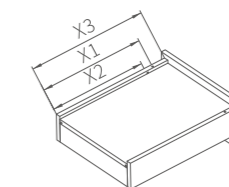
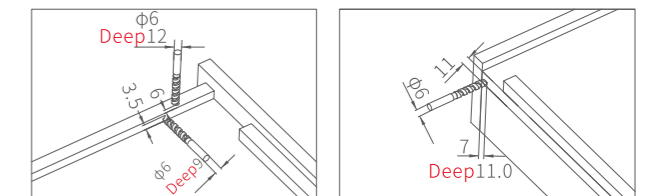
SKL Drawer length SKW Drawer base plate net width LW Cabinet net width NL Slide rail net width LT Cabinet depth



## Cabinet slide mounting size



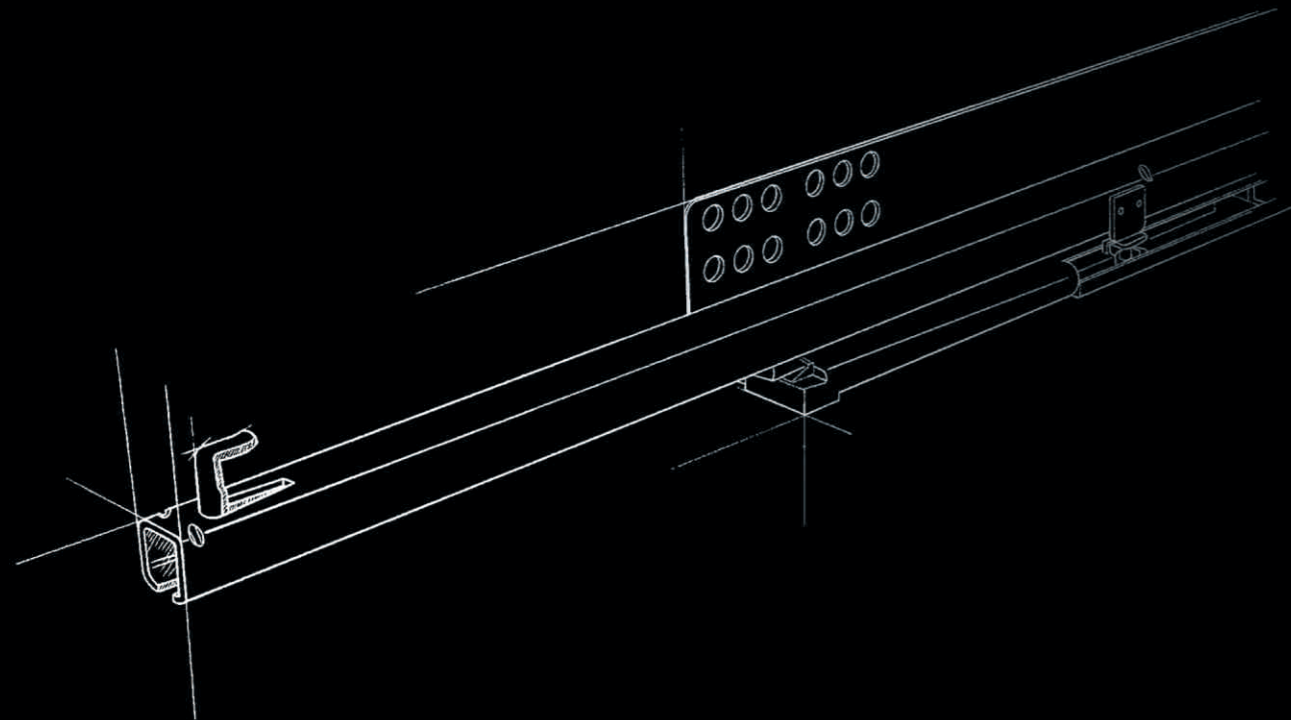
## Drawer mounting hole map



Nominal Length	Fixed bolt hole X1	Anti-falling bolt hole X2	Drawer length X3
250mm	220mm	188mm	240mm
300mm	245mm	213mm	290mm
350mm	270mm	238mm	340mm
400mm	305mm	273mm	390mm
450mm	330mm	298mm	440mm
500mm	355mm	323mm	490mm
550mm	390mm	358mm	540mm

# G Series

Single Extension Concealed Slide



## PRECISION STEEL BALL

24 precision steel balls, bearings for smooth performance,  
Noise reduction,  
Deliver a comfortable pulling experience you'd never had.



# G Series Concealed Slide

Single Extension Concealed Slide-16 handle type

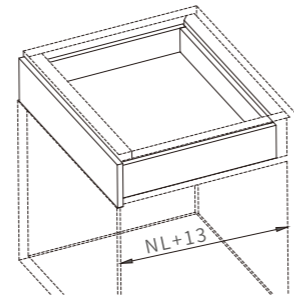
隐藏滑轨系列 CONCEALED SLIDE SERIES



## Describe

Single extension noiseless wooden drawer slide;  
**Steel ball linkage is smooth;**  
 Giving you a gentle closing performance;  
 One press to disassemble;  
**Tilt angle adjustment 0~+3mm.**

## Space required



NL



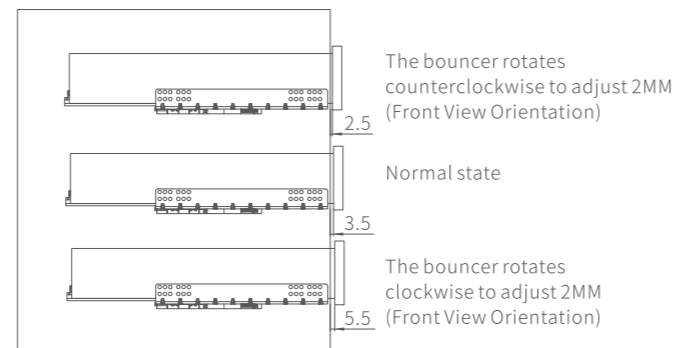
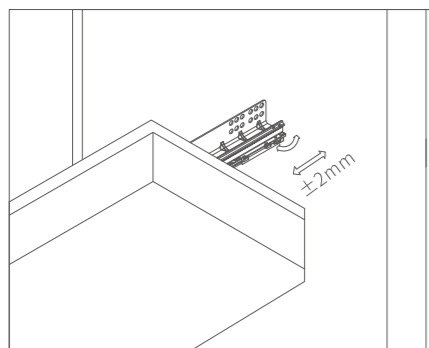
## Product information



G Series Single Extension Concealed Slide-16 handle type

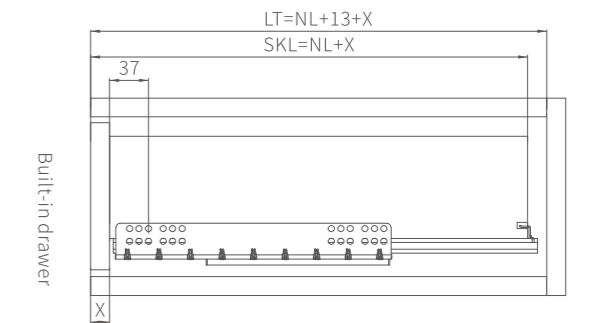
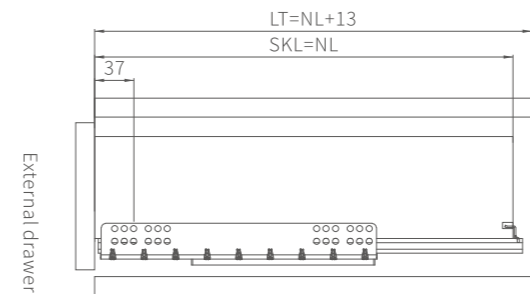
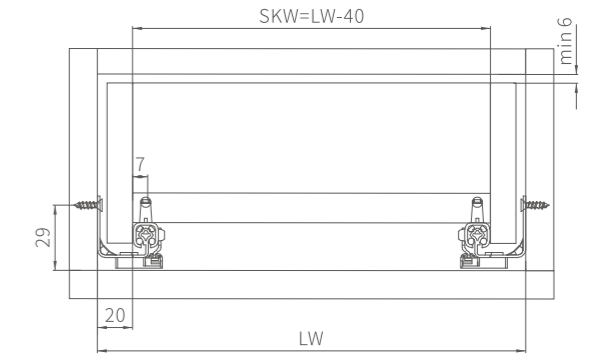
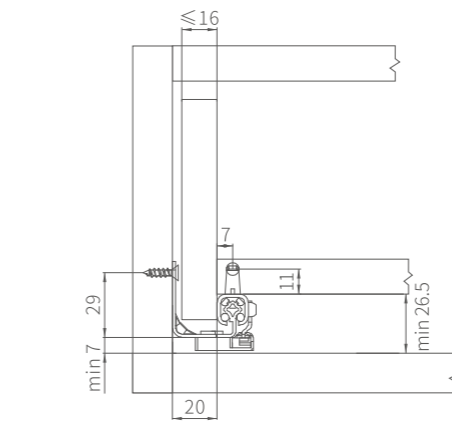
Nominal Length	Soft-Closing Slide	push-open slide	Amount
250	G2301-250	G2303-250	15SET
300	G2301-300	G2303-300	15SET
350	G2301-350	G2303-350	15SET
400	G2301-400	G2303-400	15SET
450	G2301-450	G2303-450	15SET
500	G2301-500	G2303-500	15SET
550	G2301-550	G2303-550	15SET

## Push open adjustment

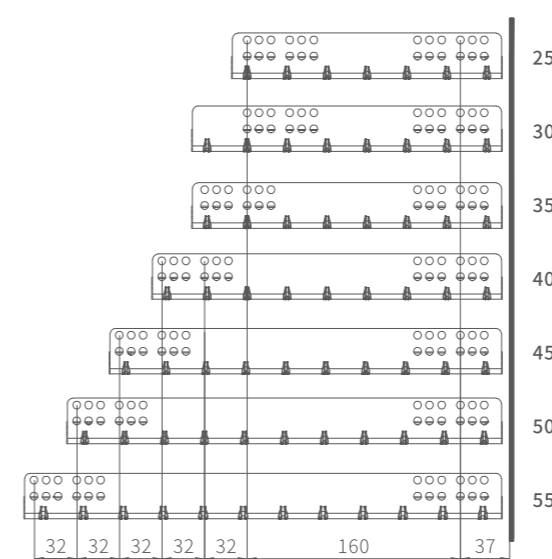


## Space requirements of the inner cabinet installation

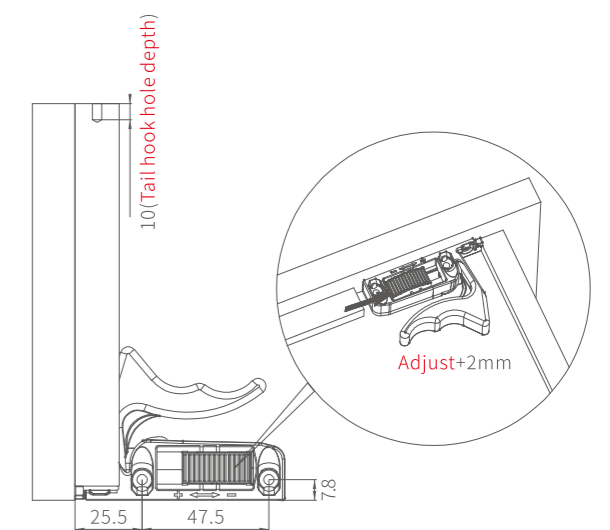
SKL Drawer length SKW Drawer base plate net width LW Cabinet net width NL Slide rail net width LT Cabinet depth



## Cabinet slide mounting size



## Drawer mounting hole map



# G Series Concealed Slide

Single Extension Concealed Slide-16 bolt type

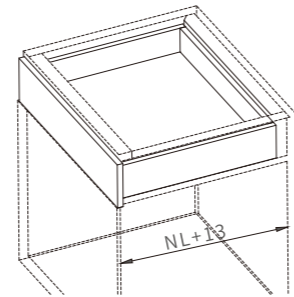
隱藏滑軌系列 CONCEALED SLIDE SERIES



## Describe

Single extension noiseless wooden drawer slide;  
**Steel ball linkage is smooth;**  
 Giving you a gentle closing performance;  
**Tool-free for disassembly and assembly of built-in insert pins;**  
**Tilt angle adjustment 0~+3mm.**

## Space required



NL



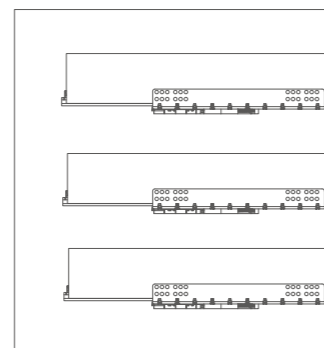
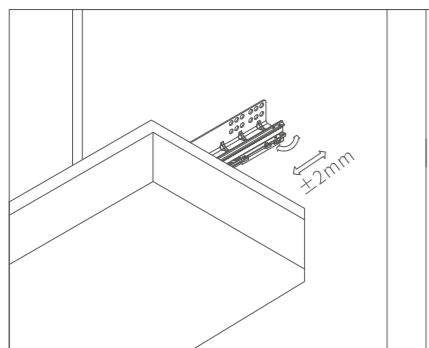
## Product information



G Series Single Extension Concealed Slide-16 bolt type

Nominal Length	Soft-Closing Slide	push-open slide	Amount
250	G2302-250	G2304-250	10SET
300	G2302-300	G2304-300	10SET
350	G2302-350	G2304-350	10SET
400	G2302-400	G2304-400	10SET
450	G2302-450	G2304-450	10SET
500	G2302-500	G2304-500	10SET
550	G2302-550	G2304-550	10SET

## Push open adjustment



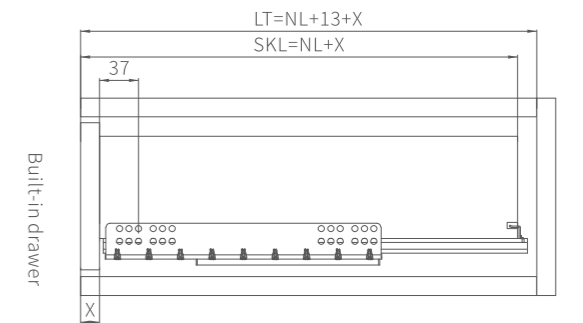
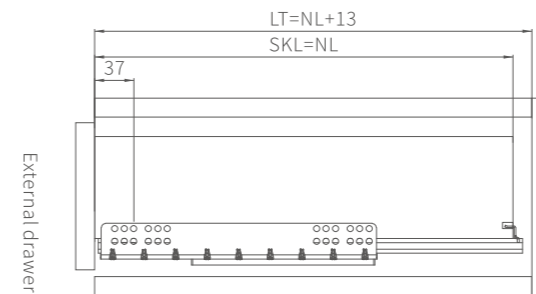
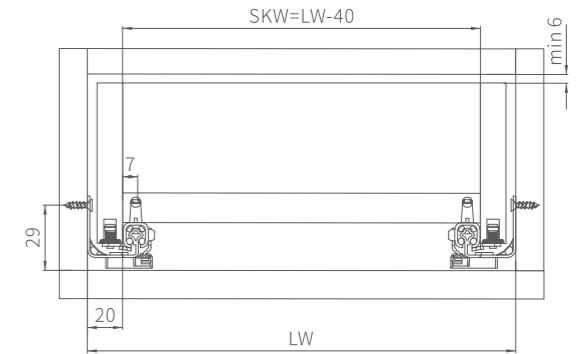
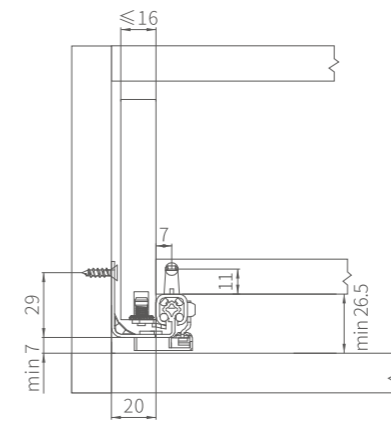
The bouncer rotates counterclockwise to adjust 2MM (Front View Orientation)

Normal state

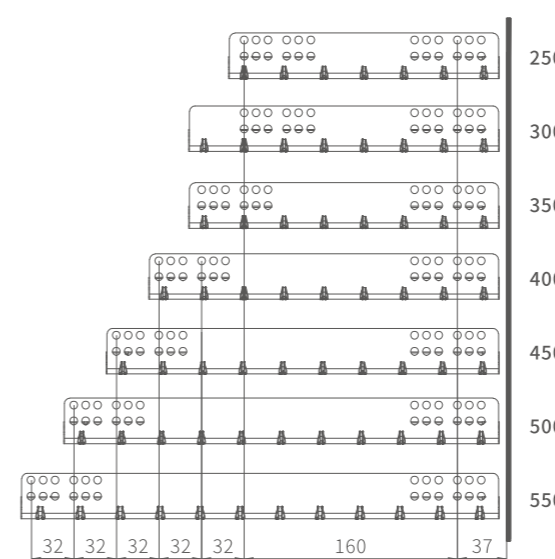
The bouncer rotates clockwise to adjust 2MM (Front View Orientation)

## Space requirements of the inner cabinet installation

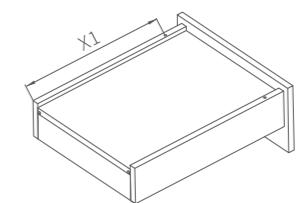
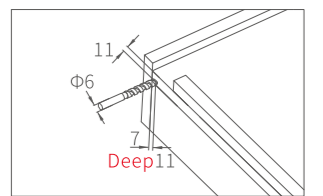
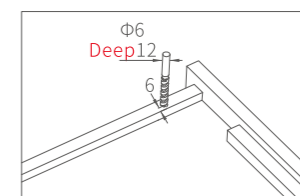
SKL Drawer length SKW Drawer base plate net width LW Cabinet net width NL Slide rail net width LT Cabinet depth



## Cabinet slide mounting size



## Drawer mounting hole map



Nomial length	Fixed bolt hole X1
250	188.5
300	188.5
350	221.5
400	249.5
450	283.5
500	309.5
550	338.5