

BAICHUAN SERIES

M2+ 90% Extension Concealed Slide
G2+ 90% Extension Concealed Slide
METAL-BOX Full Extension Drawer



PERFECT BALANCE BETWEEN FULL PULL AND HALF PULL

New extension design
Innovative concealed slide brings perfect balance between full and single extension for drawer.
It offers a completely new solution for home space creativity.
It is suitable for a variety of drawer structures and load-bearing capacity,
and also brings gentle, quiet, ease, and smooth opening and closing experience without force.



Gentle and smooth running, achieving quiet and soft opening and closing

The drawer slide has excellent synchronous running performance, the individual components work together greatly, reduce friction, perform smoothly, its running is almost quiet, soft without force.

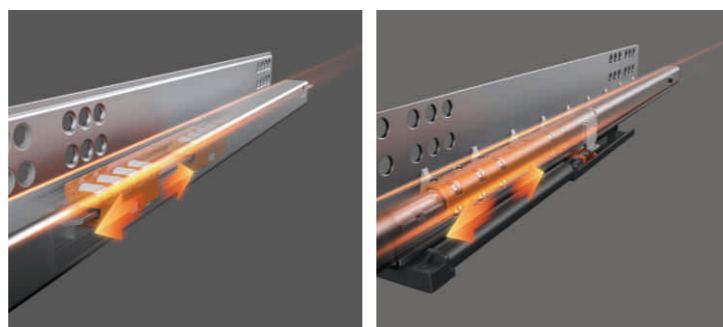
push open runner, open in one-touch

The new push-open runner system allows the drawer to achieve the smooth effect of "open in one-gentle touch"; There is no need to install handles, avoiding the visual effect that splits the straight lines of the furniture; With a gentle press, the drawer pops out, gently and smoothly, reducing abrasion; When closed, the drawer is again completely and safely locked.



Gentle and relaxed to enjoy every opening and closing

The innovative design of the two kinds of gear frame structures has an exceptional comfort and ease of performance; When opening the drawer, the runner instantly starts the "smooth and gentle moving" mode; Under the noiseless damper, even though with strong thrust, the drawer can be soft closed without strong impact, and always remains gentle and quiet.



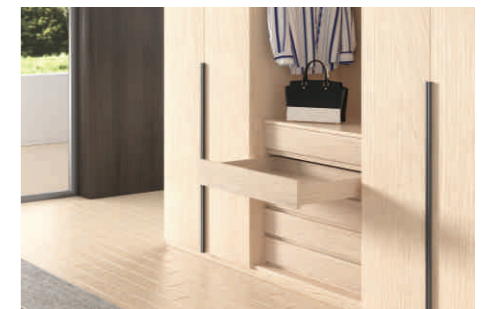
Children's room



Washroom



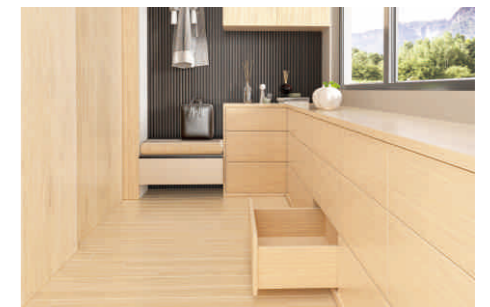
TV cabinet



Wardrobe



Full Extension Ultra-Slim TV Cabinet effect

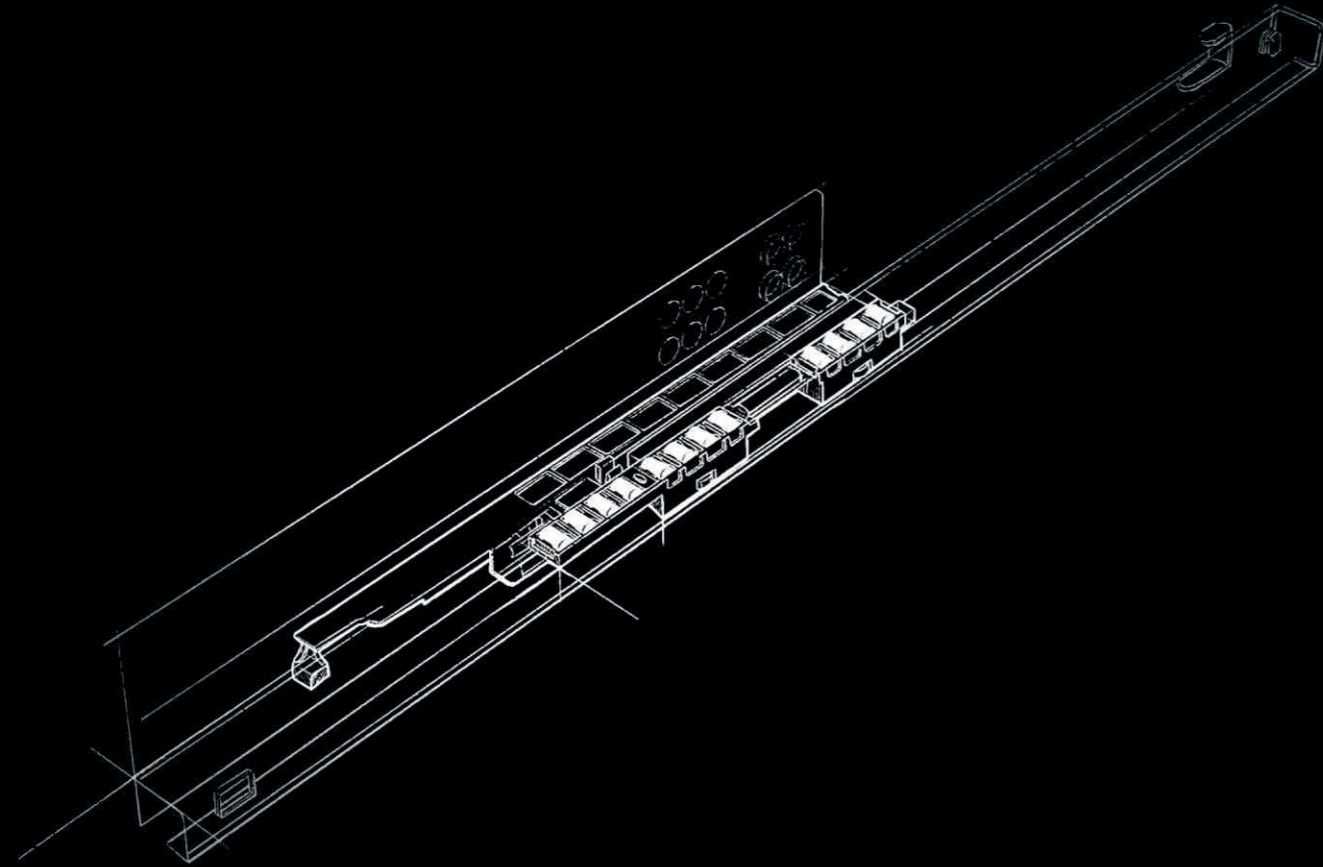


Entryway

Ease of opening and closing, soft and quiet features, perfect for washing rooms, wardrobes, entrance hallways, children's rooms, TV cabinets and others, noiseless protection everywhere, to create a quiet, comfortable, safe and happy home living.

BAICHUAN SEIRES

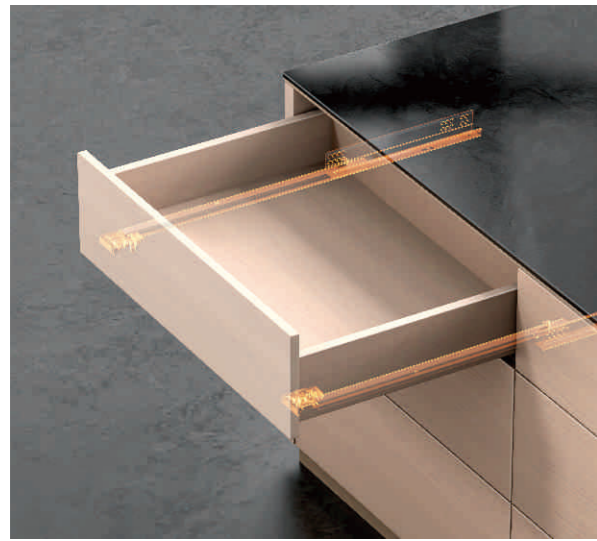
M2+90% Extension Concealed Slide



COMPLETELY

Full Extension Slide,
Show the drawer easily and entirely ,
Let every inch of space show its function perfectly.

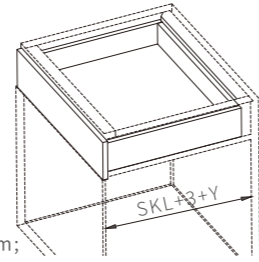




Describe

Full extension two-section noiseless wooden drawer slide; Synchronous running performance; giving you a gentle closing performance; One press to disassemble; Built-in height adjustment 0~+3mm;

Space required



NL



Product Details



Soft closing



Push open



Max load bearing



Full Extension Slide



connecting installation technology

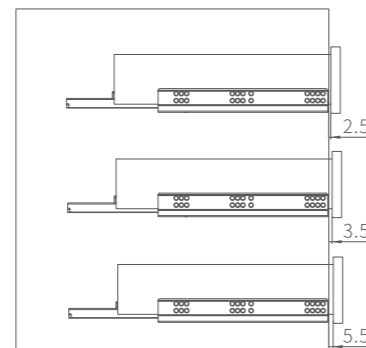
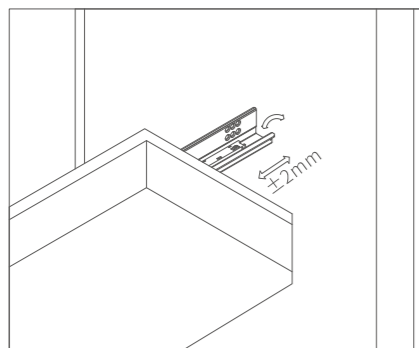
Nominal Length	250	300	350	400	450	500
Y mm	25	25	25	35	35	30

Product information



M2+ seires 90% Extension Concealed Slide 11-16mm handle type			
Nominal Length	Soft-Closing Slide	push-open slide	Amount
250	M5605-250	M5615-250	10SET
300	M5605-300	M5615-300	10SET
350	M5605-350	M5615-350	10SET
400	M5605-400	M5615-400	10SET
450	M5605-450	M5615-450	10SET
500	M5605-500	M5615-500	10SET

Push open adjustment



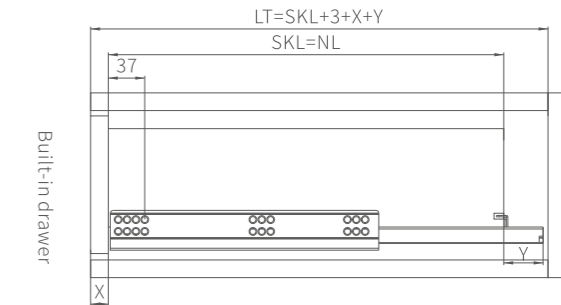
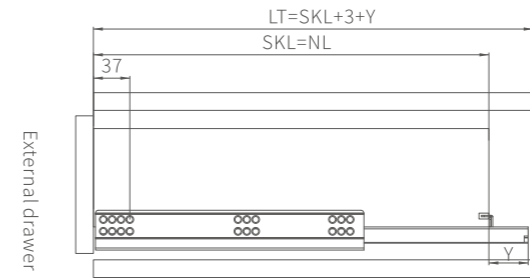
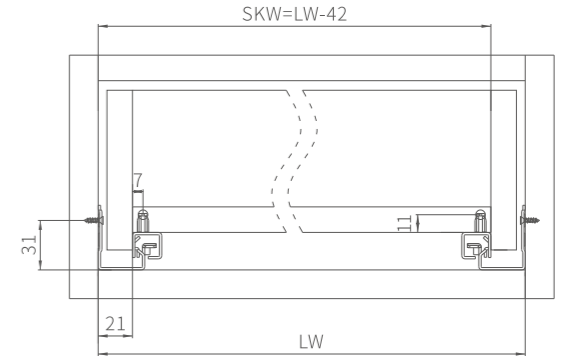
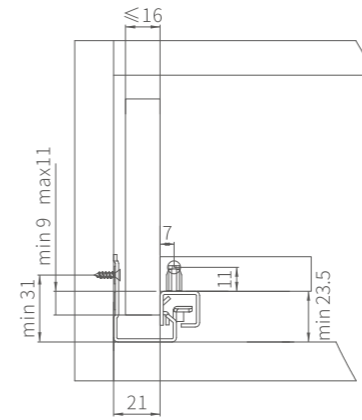
The bouncer rotates counterclockwise to adjust 2MM (Front View Orientation)

Normal state

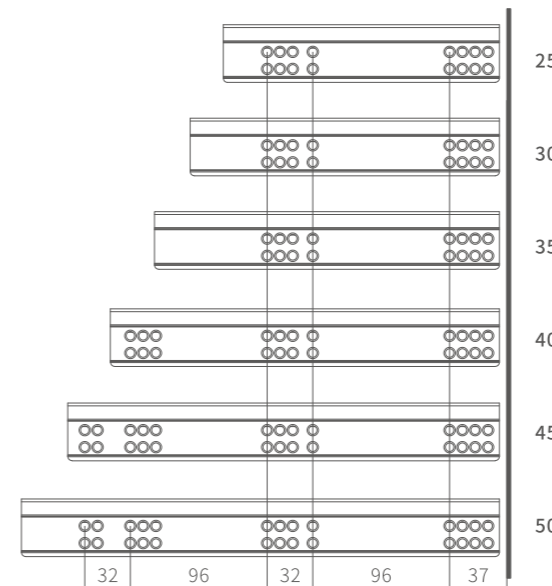
The bouncer rotates clockwise to adjust 2MM (Front View Orientation)

Space requirements of the inner cabinet installation

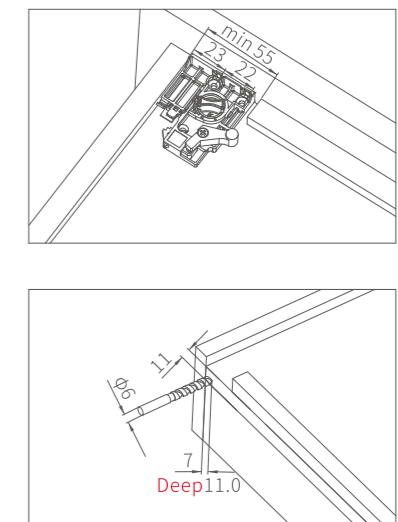
SKL Drawer length SKW Drawer base plate net width LW Cabinet net width NL Slide rail net width LT Cabinet depth

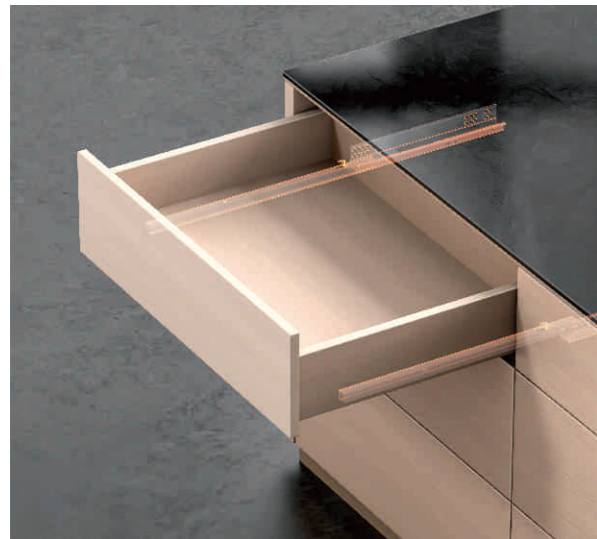


Cabinet slide mounting size



Drawer mounting hole map

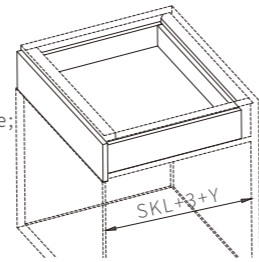




Describe

Full extension two-section noiseless wooden drawer slide; With latch and built-in damper; Synchronous running performance; Quietly and smoothly; can achieve quick removal and quick mounting without tool; For cabinet bottom panel installation;

Space required



NL



Product Details



Soft closing



Push open



Max load bearing



Full Extension Slide



Bolt-type installation technology

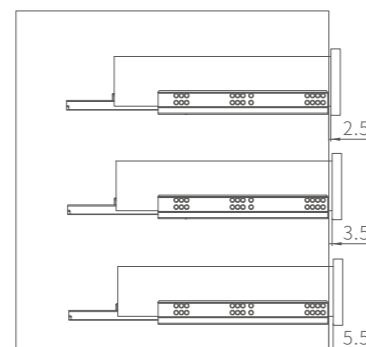
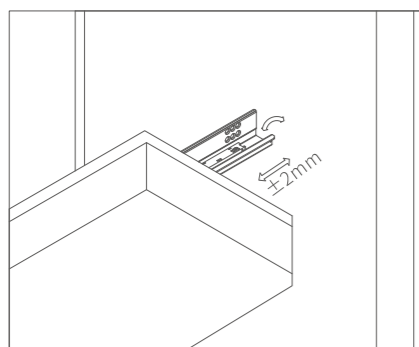
Nominal Length	250	300	350	400	450	500
Y mm	25	25	25	35	35	30

Product information



M2+ seires 90% Extension Concealed Slide 11-16mm bolt type			
Nominal Length	Soft-Closing Slide	push-open slide	Amount
250	M5606-250	M5616-250	10SET
300	M5606-300	M5616-300	10SET
350	M5606-350	M5616-350	10SET
400	M5606-400	M5616-400	10SET
450	M5606-450	M5616-450	10SET
500	M5606-500	M5616-500	10SET

Push open adjustment



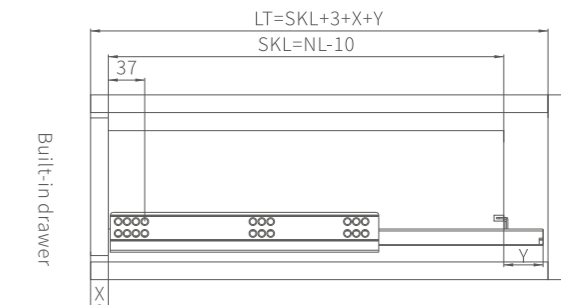
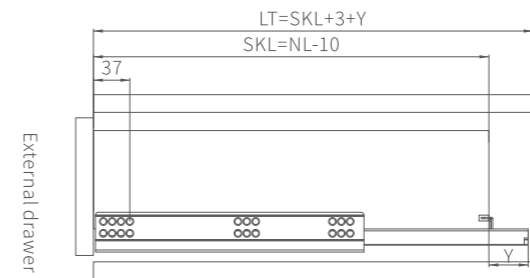
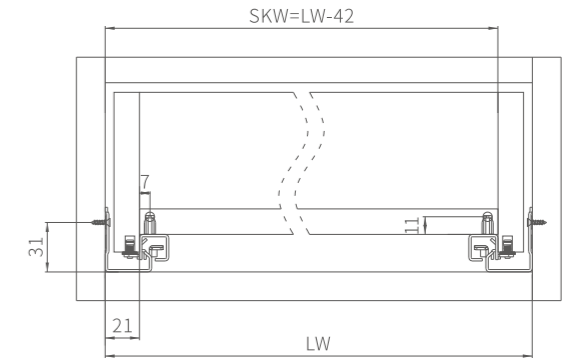
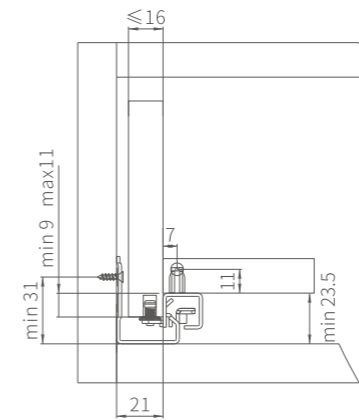
The bouncer rotates counterclockwise to adjust 2MM (Front View Orientation)

Normal state

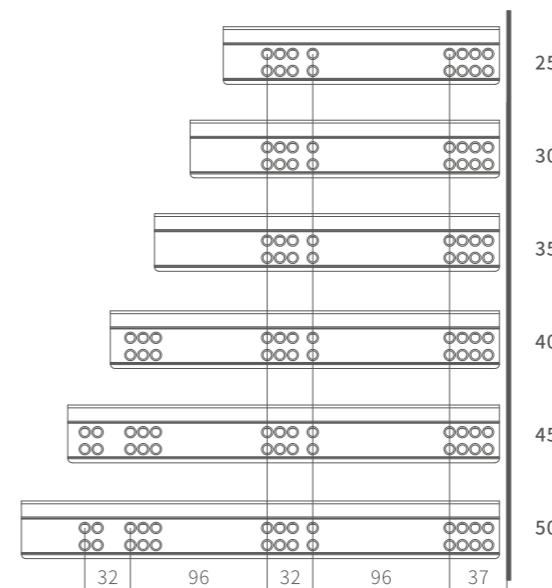
The bouncer rotates clockwise to adjust 2MM (Front View Orientation)

Space requirements of the inner cabinet installation

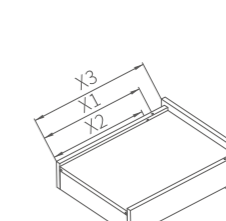
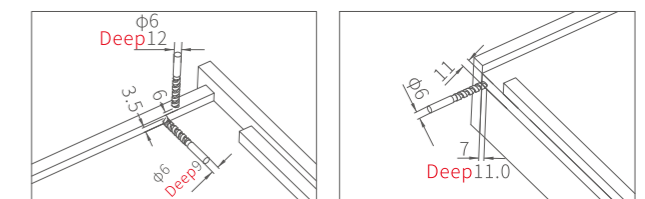
SKL Drawer length SKW Drawer base plate net width LW Cabinet net width NL Slide rail net width LT Cabinet depth



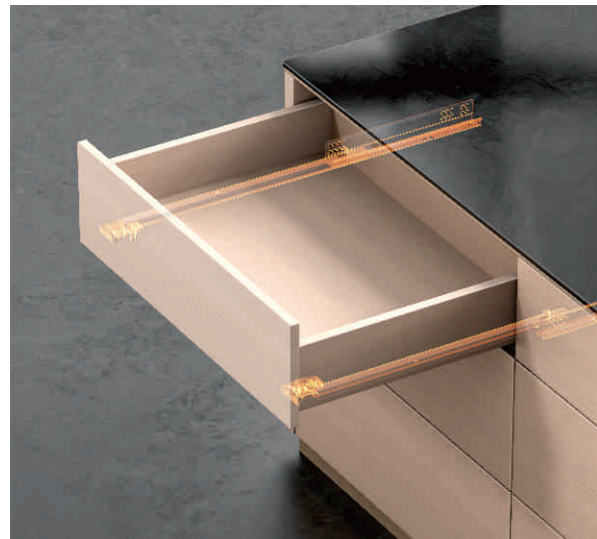
Cabinet slide mounting size



Drawer mounting hole map



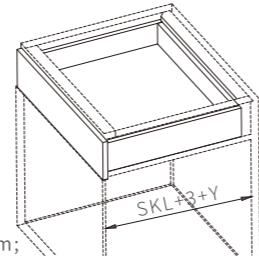
Nominal Length	Fixed bolt hole X1	Anti-falling bolt hole X2	Drawer length X3
250mm	220mm	205mm	240mm
300mm	245mm	230mm	290mm
350mm	270mm	255mm	340mm
400mm	305mm	290mm	390mm
450mm	330mm	315mm	440mm
500mm	355mm	340mm	490mm



Describe

Full extension two-section noiseless wooden drawer slide; Synchronous running performance; giving you a gentle closing performance; One press to disassemble; Built-in height adjustment 0~+3mm;

Space required



NL



Product Details



Soft closing



Push open



Max load bearing



Full Extension Slide



connecting installation technology

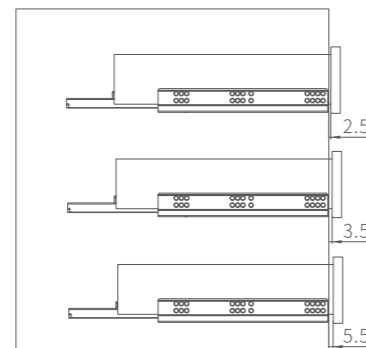
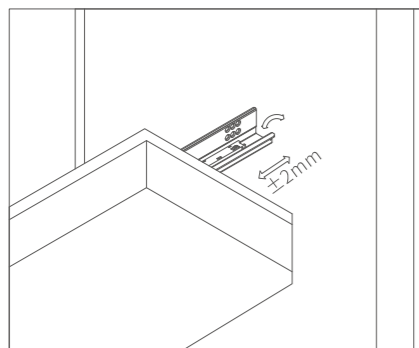
Nominal Length	250	300	350	400	450	500
Y mm	25	25	25	35	35	30

Product information



M2+ seires 90% Extension Concealed Slide 17-19mm handle type			
Nominal Length	Soft-Closing Slide	push-open slide	Amount
250	M5607-250	M5617-250	10SET
300	M5607-300	M5617-300	10SET
350	M5607-350	M5617-350	10SET
400	M5607-400	M5617-400	10SET
450	M5607-450	M5617-450	10SET
500	M5607-500	M5617-500	10SET

Push open adjustment



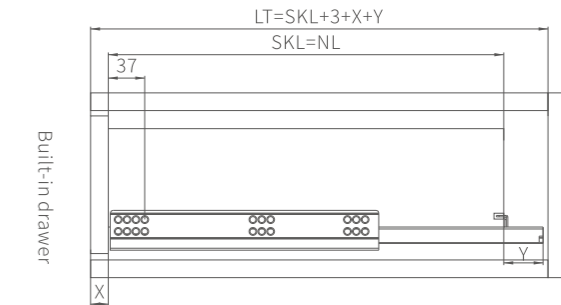
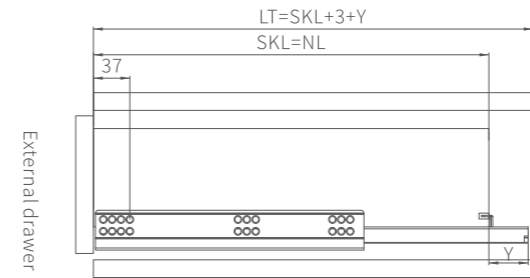
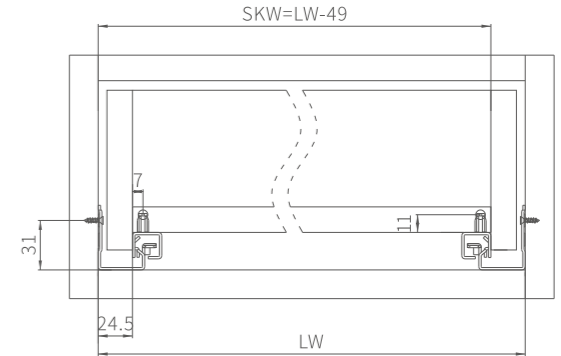
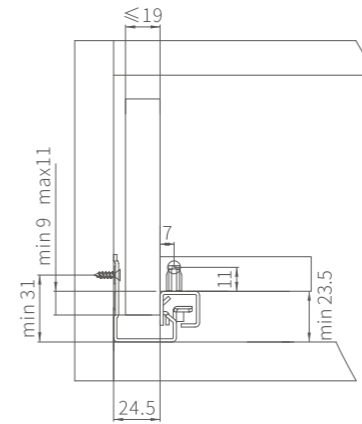
The bouncer rotates counterclockwise to adjust 2MM (Front View Orientation)

Normal state

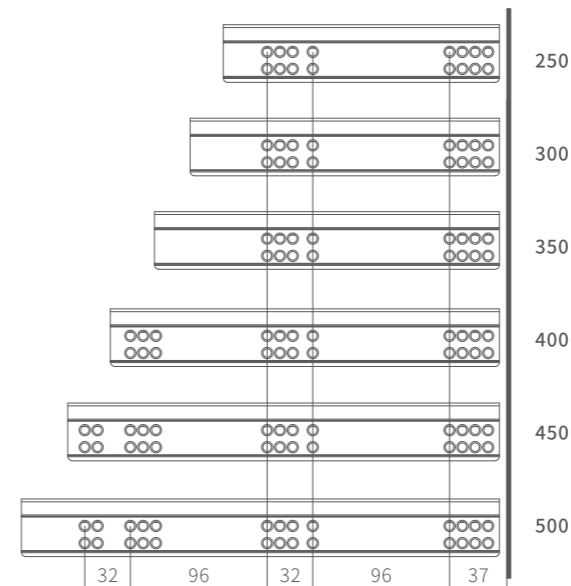
The bouncer rotates clockwise to adjust 2MM (Front View Orientation)

Space requirements of the inner cabinet installation

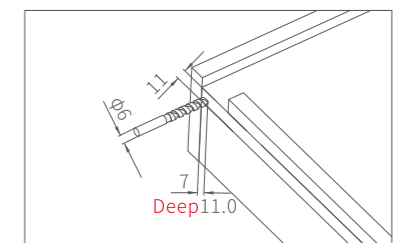
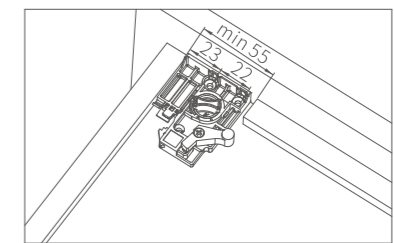
SKL Drawer length SKW Drawer base plate net width LW Cabinet net width NL Slide rail net width LT Cabinet depth

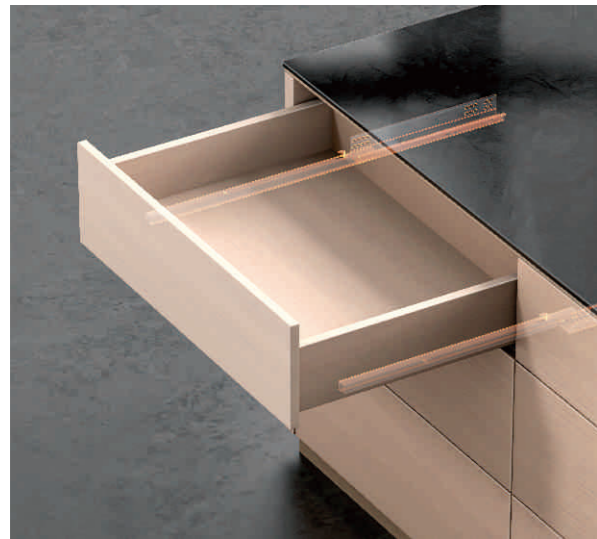


Cabinet slide mounting size



Drawer mounting hole map

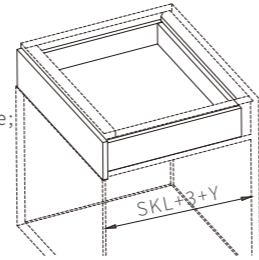




Describe

Full extension two-section noiseless wooden drawer slide; With latch and built-in damper; Synchronous running performance; Quietly and smoothly; can achieve quick removal and quick mounting without tool; For cabinet bottom panel installation;

Space required



NL



Product Details



Soft closing



Push open



Max load bearing



Full Extension Slide



Bolt-type installation technology

Nominal Length	250	300	350	400	450	500
Y mm	25	25	25	35	35	30

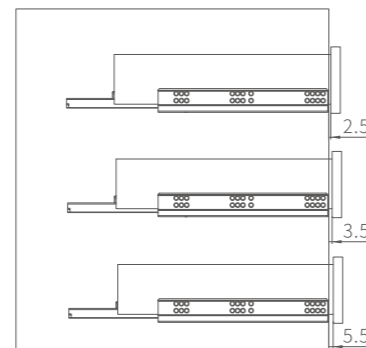
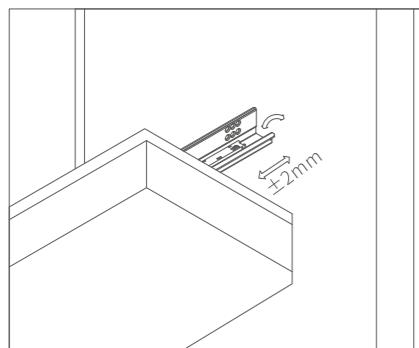
Product information



M2+ seires 90% Extension Concealed Slide 17-19mm bolt type

Nominal Length	Soft-Closing Slide	push-open slide	Amount
250	M5608-250	M5618-250	10SET
300	M5608-300	M5618-300	10SET
350	M5608-350	M5618-350	10SET
400	M5608-400	M5618-400	10SET
450	M5608-450	M5618-450	10SET
500	M5608-500	M5618-500	10SET

Push open adjustment



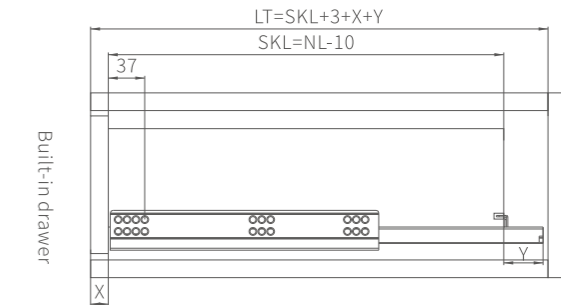
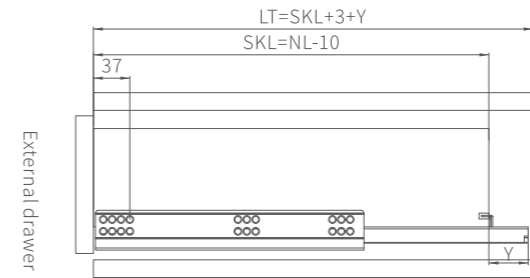
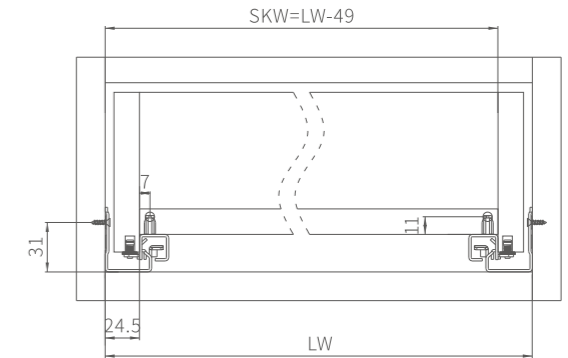
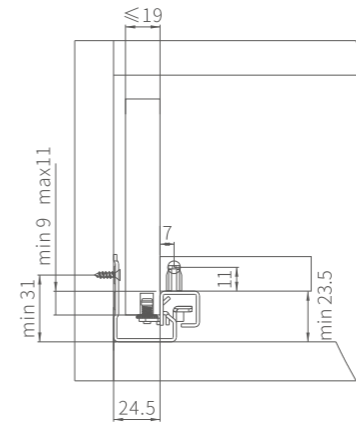
The bouncer rotates counterclockwise to adjust 2MM (Front View Orientation)

Normal state

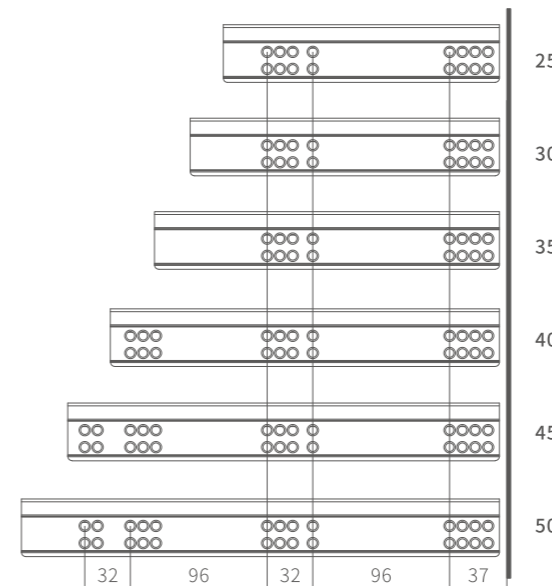
The bouncer rotates clockwise to adjust 2MM (Front View Orientation)

Space requirements of the inner cabinet installation

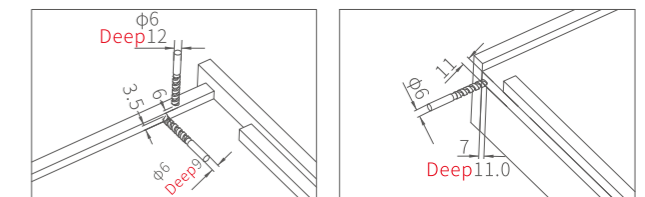
SKL Drawer length SKW Drawer base plate net width LW Cabinet net width NL Slide rail net width LT Cabinet depth



Cabinet slide mounting size



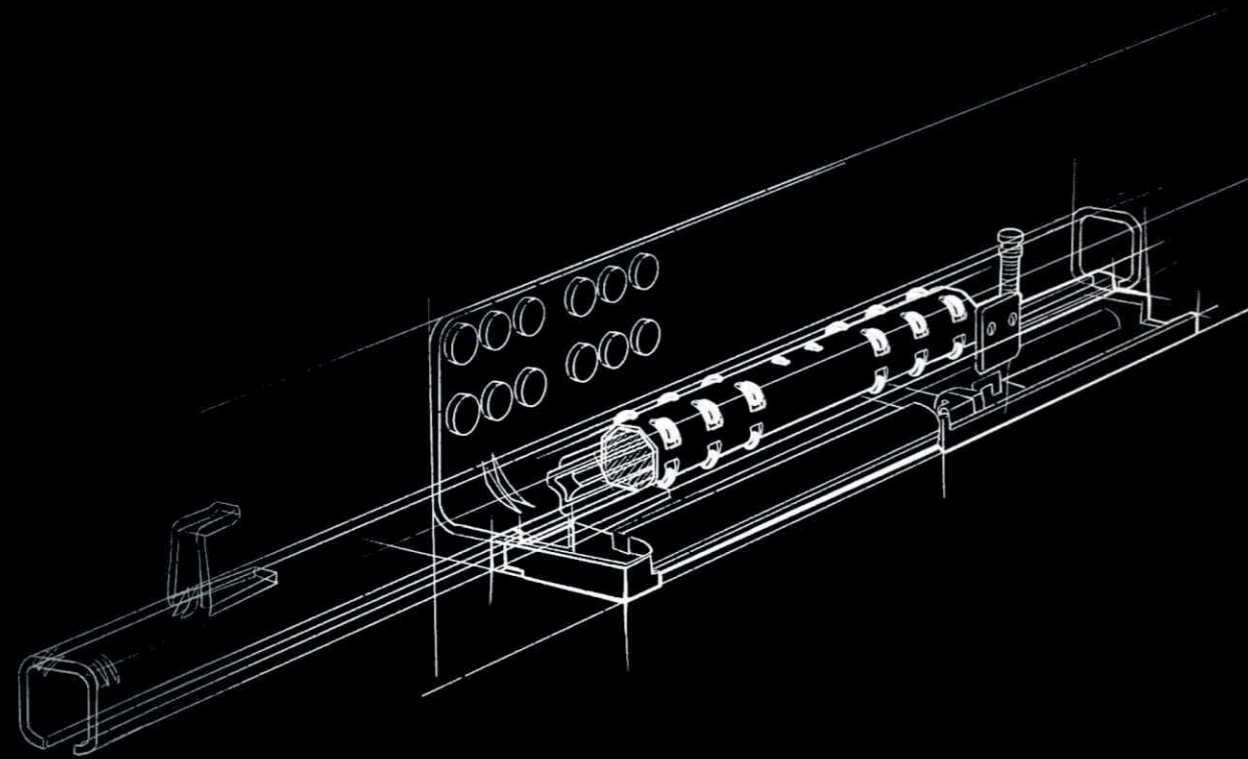
Drawer mounting hole map



Nominal Length	Fixed bolt hole X1	Anti-falling bolt hole X2	Drawer length X3
250mm	220mm	205mm	240mm
300mm	245mm	230mm	290mm
350mm	270mm	255mm	340mm
400mm	305mm	290mm	390mm
450mm	330mm	315mm	440mm
500mm	355mm	340mm	490mm

BAICHUAN SEIRES

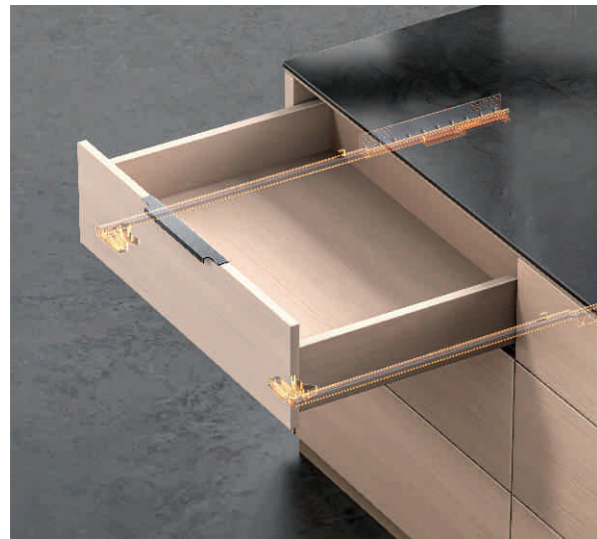
G2+90% Extension Concealed Slide



FULL PULL

Two-section Full Extension Design,
Maximize drawer space usage,
Convenient using for its large space.

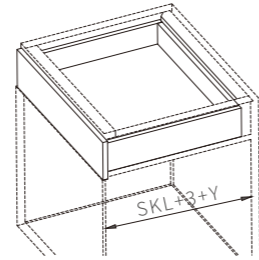




Describe

Single extension noiseless wooden drawer slide;
Steel ball linkage is smooth;
 Giving you a gentle closing performance;
 One press to disassemble;
Tool-free for disassembly and assembly of built-in insert pins;
 Tilt angle adjustment 0~+3mm.

Space required



NL



Nominal Length	250	300	350	400	450	500
Y mm	25	25	25	35	35	30

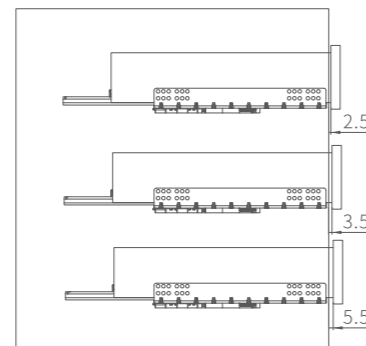
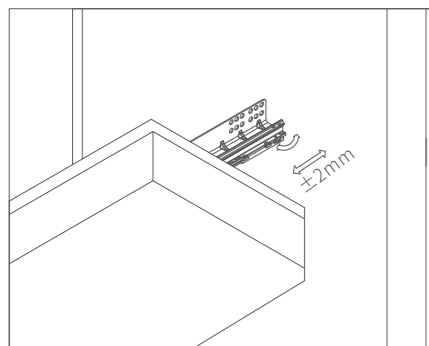
Soft closing
 Push open
 Max load bearing
 Full Extension Slide
 connecting installation technology

Product information



G2+ seires 90% Extension Concealed Slide 11-16mm handle type			
Nominal Length	Soft-Closing Slide	push-open slide	Amount
250	G2101-250	G2103-250	10SET
300	G2101-300	G2103-300	10SET
350	G2101-350	G2103-350	10SET
400	G2101-400	G2103-400	10SET
450	G2101-450	G2103-450	10SET
500	G2101-500	G2103-500	10SET

Push open adjustment



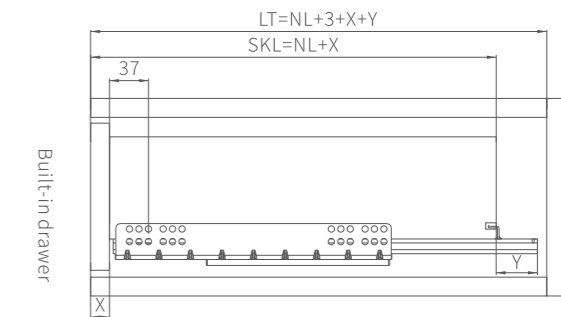
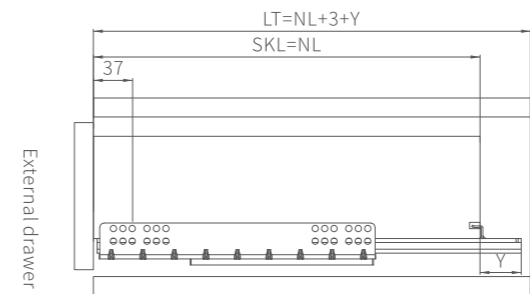
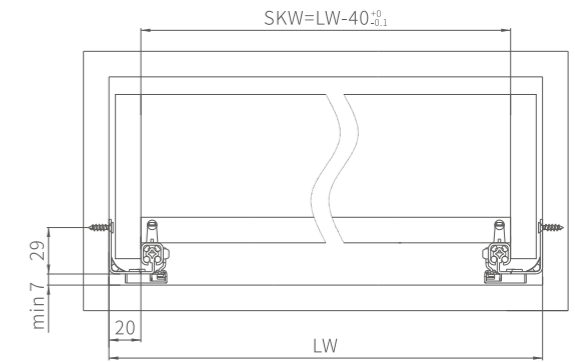
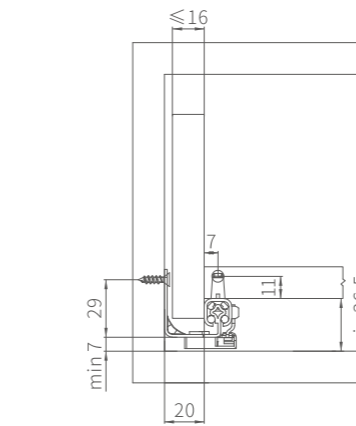
The bouncer rotates counterclockwise to adjust 2MM (Front View Orientation)

Normal state

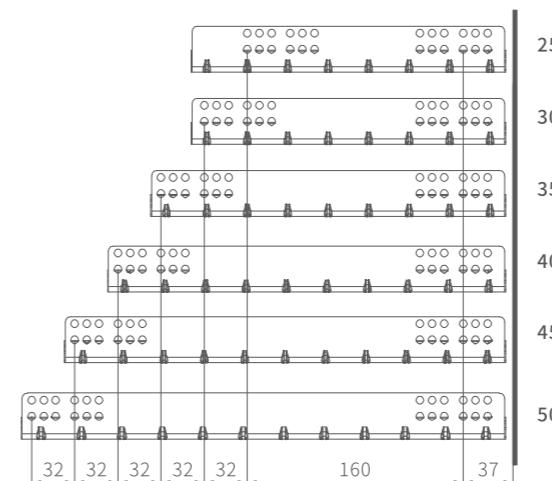
The bouncer rotates clockwise to adjust 2MM (Front View Orientation)

Space requirements of the inner cabinet installation

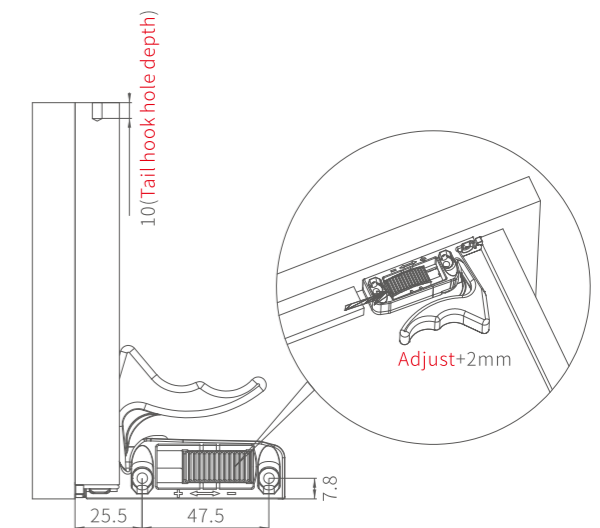
SKL Drawer length SKW Drawer base plate net width LW Cabinet net width NL Slide rail net width LT Cabinet depth

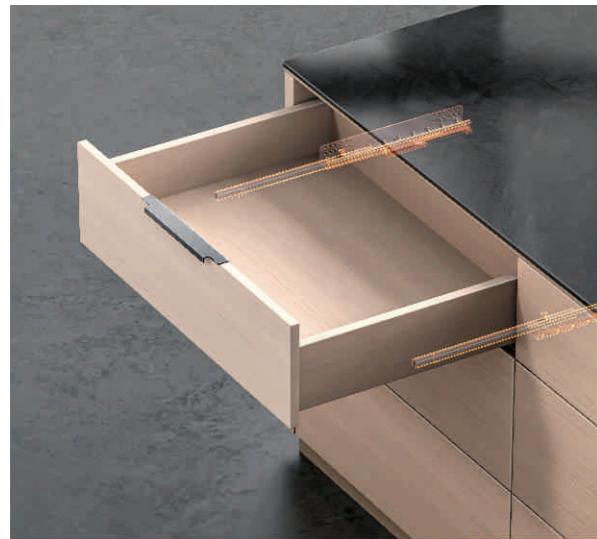


Cabinet slide mounting size



Drawer mounting hole map

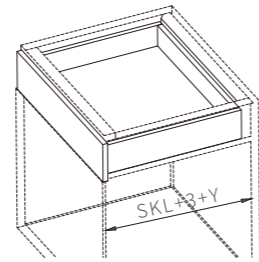




Describe

Single extension noiseless wooden drawer slide;
Steel ball linkage is smooth;
 Giving you a gentle closing performance;
Tool-free for disassembly and assembly of built-in insert pins;
 Tilt angle adjustment 0~+3mm.

Space required



NL



Product Details



Soft closing



Push open



Max load bearing



Full Extension Slide



Bolt-type installation technology

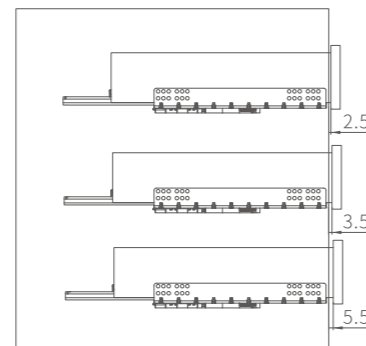
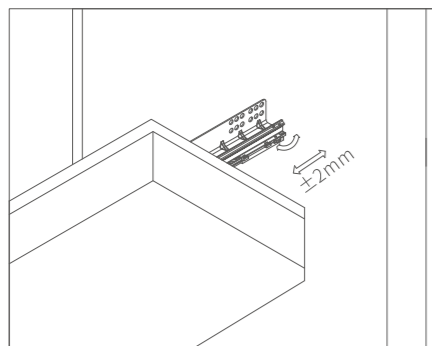
Nominal Length	250	300	350	400	450	500
Y mm	25	25	25	35	35	30

Product information



G2+ seires 90% Extension Concealed Slide 11-16mm bolt type			
Nominal Length	Soft-Closing Slide	push-open slide	Amount
250	G2102-250	G2104-250	10SET
300	G2102-300	G2104-300	10SET
350	G2102-350	G2104-350	10SET
400	G2102-400	G2104-400	10SET
450	G2102-450	G2104-450	10SET
500	G2102-500	G2104-500	10SET

Push open adjustment



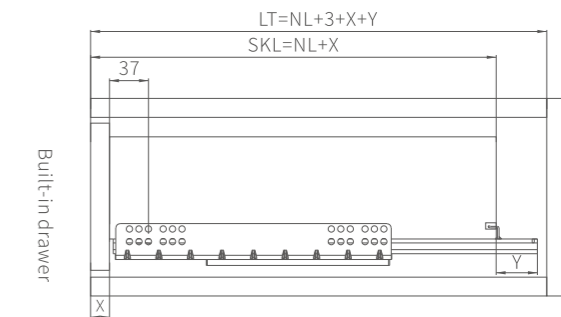
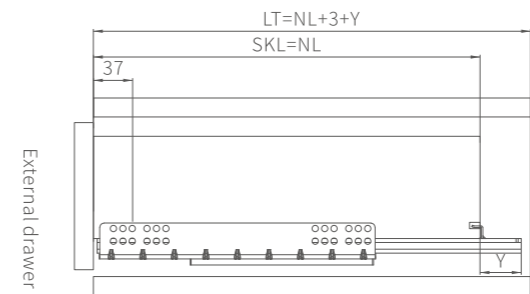
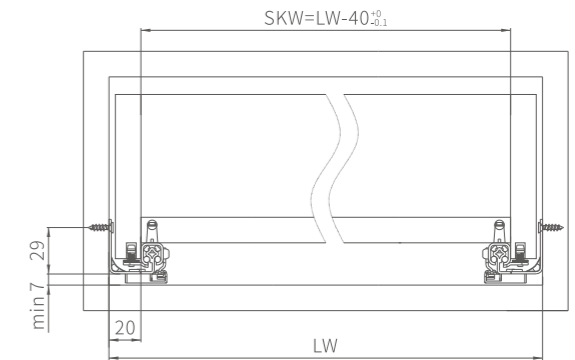
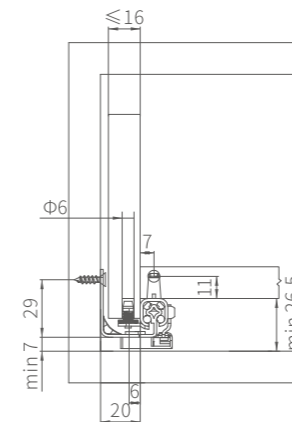
The bouncer rotates counterclockwise to adjust 2MM (Front View Orientation)

Normal state

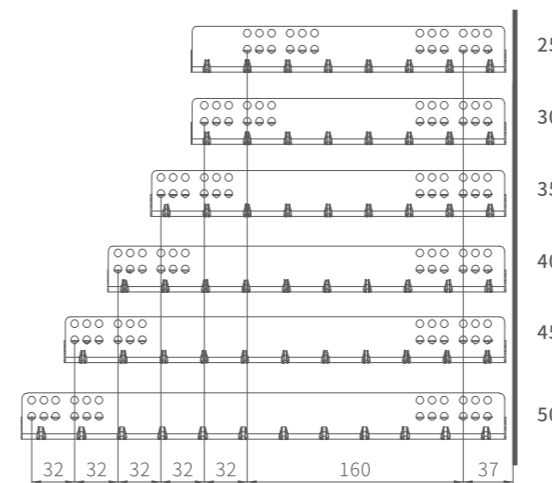
The bouncer rotates clockwise to adjust 2MM (Front View Orientation)

Space requirements of the inner cabinet installation

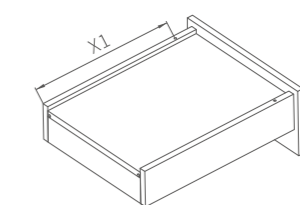
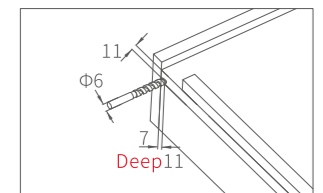
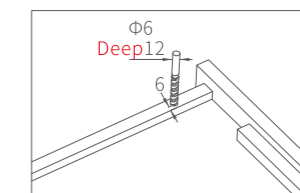
SKL Drawer length SKW Drawer base plate net width LW Cabinet net width NL Slide rail net width LT Cabinet depth



Cabinet slide mounting size



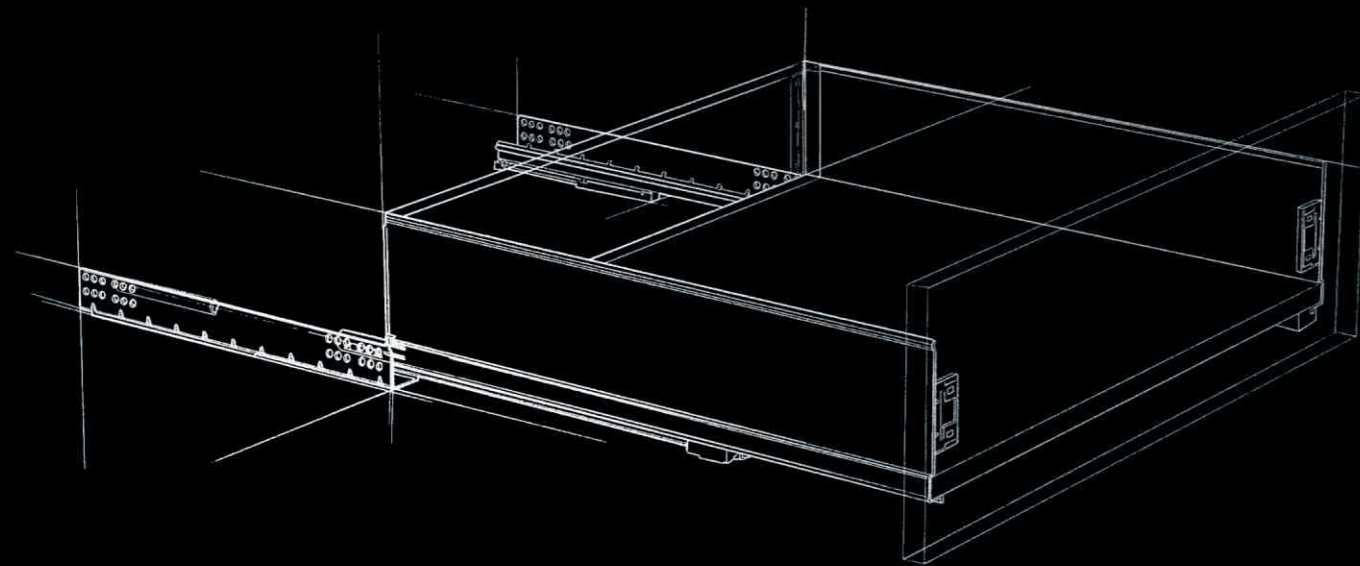
Drawer mounting hole map



Nomial length	Fixed bolt hole X1
250mm	188.5mm
300mm	188.5mm
350mm	221.5mm
400mm	249.5mm
450mm	283.5mm
500mm	309.5mm

METAL-BOX

G12 Ultra Slim Full Extension Drawer System



WHOLE DRAWER

Full Extension Design,
Greatly show you the whole drawer space,
To enjoy every single opening.



METAL-BOX Ultra-thin luxury drawer series

Ultra-thin full-pull drawer series G1221

抽屉系列 DRAWER SERIES



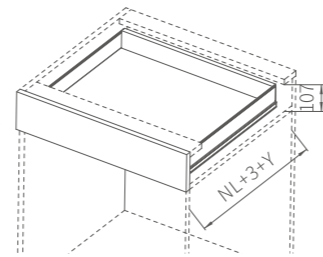
Describe

Concealed Full Extension;
Ultra-Slim Drawer Side Design;
25kg load-bearing capacity,
long service life;
Bottom-mounted SCT infinitely
variable speed damping
technology;
To ensure the slide has
smooth and gentle movement;
Equipped with TOS
push-open technology;



Product Details

Space required



Nominal Length	300	350	400	450	500
Y mm	25	25	35	35	30



Soft closing



Push open



Max load bearing



Side height



Two-dim

Nsional adjustment

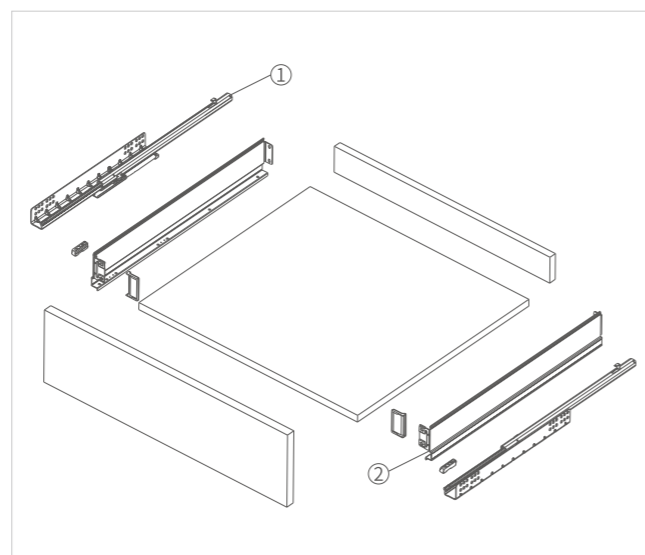
Product information

Nominal Length	Ultra-thin full-pull damping drawer		Ultra-thin full-pull rebound drawer		Amount
	Silk White	Iron Gray	Silk White	Iron Gray	
300	G1221-300W	G1221-300G	G1251-300W	G1251-300G	6SET
350	G1221-350W	G1221-350G	G1251-350W	G1251-350G	6SET
400	G1221-400W	G1221-400G	G1251-400W	G1251-400G	6SET
450	G1221-450W	G1221-450G	G1251-450W	G1251-450G	6SET
500	G1221-500W	G1221-500G	G1251-500W	G1251-500G	6SET

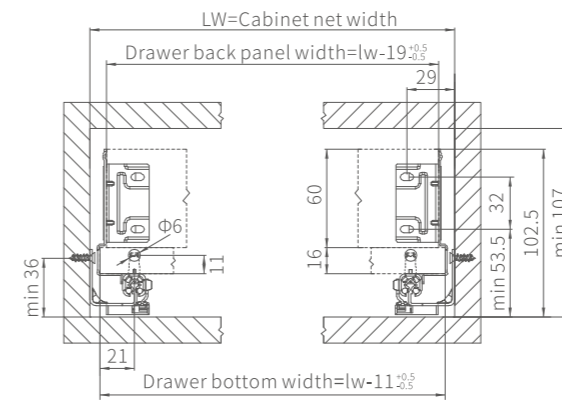
Contact(Industrial packaging)

1 Fully pull out two hidden slide rails L/R				
Nominal Length	Soft-Closing Slide	push-open slide	Amount	
300	G2102-300	G2104-300	10SET	
350	G2102-350	G2104-350	10SET	
400	G2102-400	G2104-400	10SET	
450	G2102-450	G2104-450	10SET	
500	G2102-500	G2104-500	10SET	

2 Very thin side L/R				
Nominal length	Silk white L/R	Iron gray L/R	Amount	
300	G12130W	G12130G	10SET	
350	G12135W	G12135G	10SET	
400	G12140W	G12140G	10SET	
450	G12145W	G12145G	10SET	
500	G12150W	G12150G	10SET	

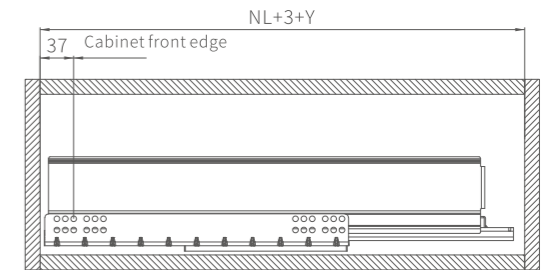


Space requirements of the inner cabinet installation



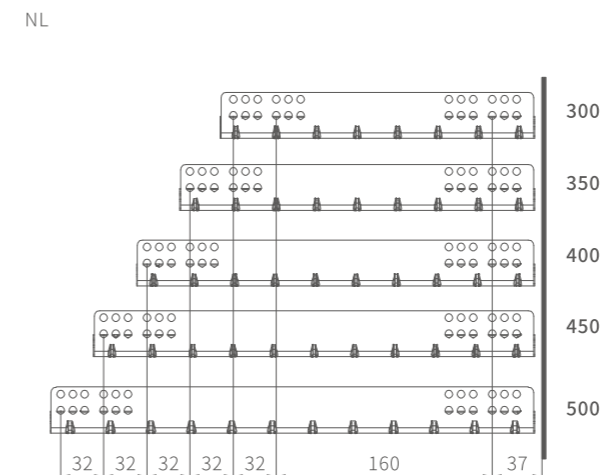
Slide mounting size

NL Nominal Length

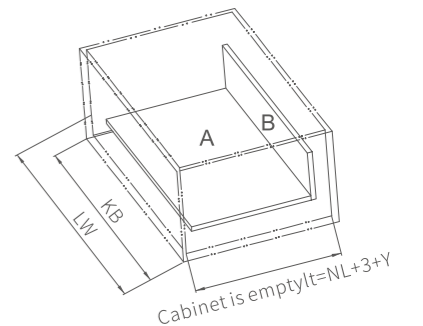
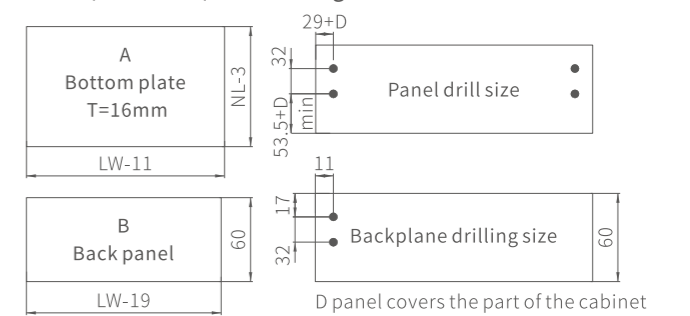


External drawer

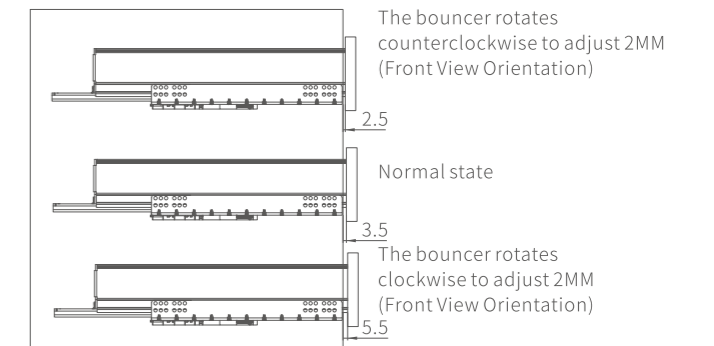
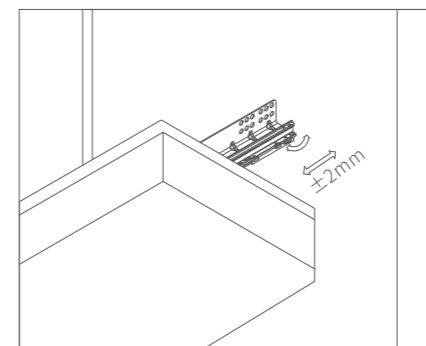
Cabinet slide mounting size



16mm (thickness) MDF cutting size



Push open adjustment



METAL-BOX Ultra-thin luxury drawer series

Ultra-thin full-pull drawer series G1222

抽屉系列 DRAWER SERIES



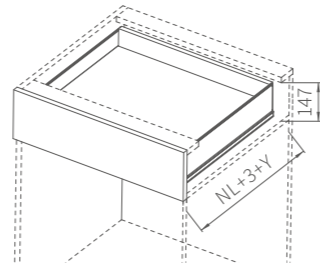
Describe

Concealed Full Extension;
Ultra-Slim Drawer Side Design;
25kg load-bearing capacity,
long service life;
Bottom-mounted SCT infinitely
variable speed damping
technology;
To ensure the slide has
smooth and gentle movement;
Equipped with TOS
push-open technology;



Product Details

Space required



NL

Nominal Length	300	350	400	450	500
Y mm	25	25	35	35	30



Soft closing



Push open



Max load bearing



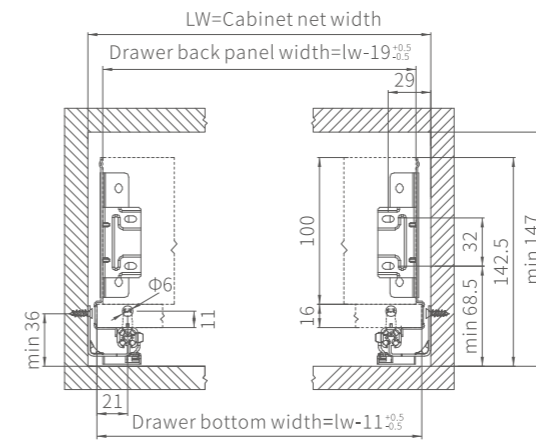
Side height



Two-dim

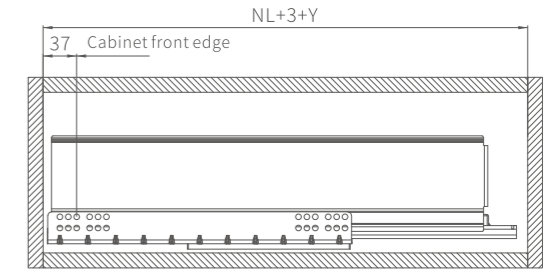
Nsional adjustment

Space requirements of the inner cabinet installation



Slide mounting size

NL Nominal Length



External drawer

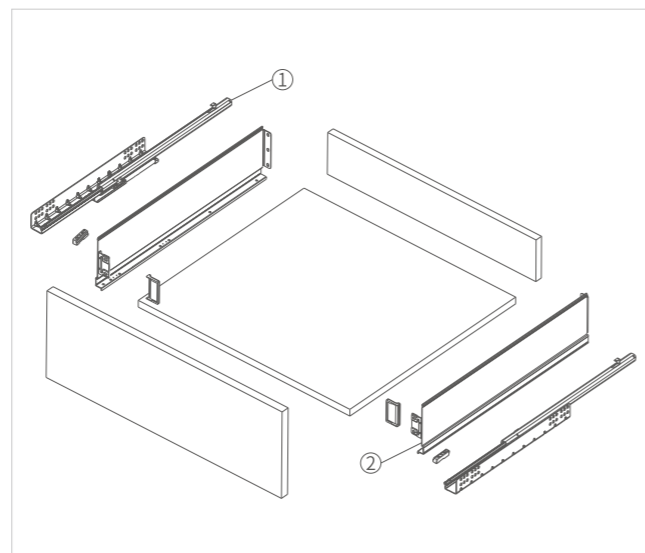
Product information

Nominal Length	Ultra-thin full-pull damping drawer		Ultra-thin full-pull rebound drawer		Amount
	Silk White	Iron Gray	Silk White	Iron Gray	
300	G1222-300W	G1222-300G	G1252-300W	G1252-300G	6SET
350	G1222-350W	G1222-350G	G1252-350W	G1252-350G	6SET
400	G1222-400W	G1222-400G	G1252-400W	G1252-400G	6SET
450	G1222-450W	G1222-450G	G1252-450W	G1252-450G	6SET
500	G1222-500W	G1222-500G	G1252-500W	G1252-500G	6SET

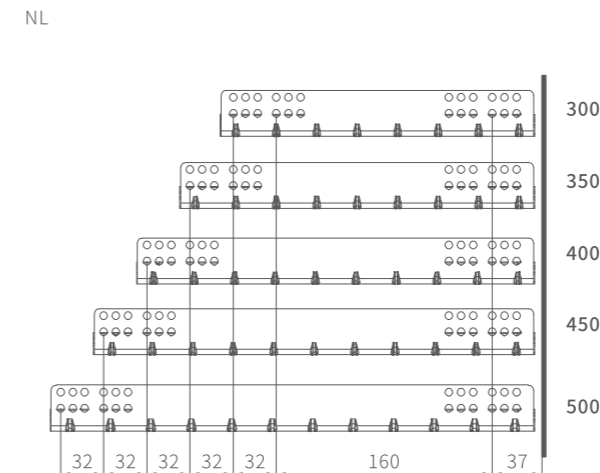
Contact(Industrial packaging)

1 Fully pull out two hidden slide rails L/R				
Nominal Length	Soft-Closing Slide	push-open slide	Amount	
300	G2102-300	G2104-300	10SET	
350	G2102-350	G2104-350	10SET	
400	G2102-400	G2104-400	10SET	
450	G2102-450	G2104-450	10SET	
500	G2102-500	G2104-500	10SET	

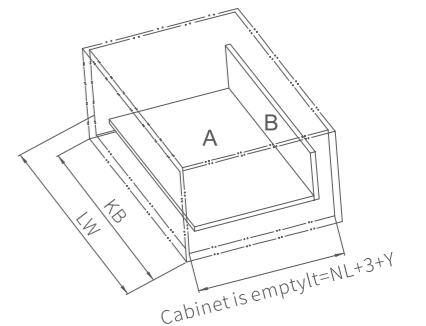
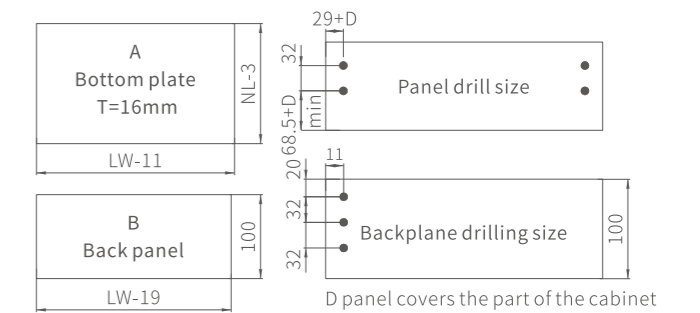
2 Very thin side L/R				
Nominal length	Silk white L/R	Iron gray L/R	Amount	
300	G12230W	G12230G	10SET	
350	G12235W	G12235G	10SET	
400	G12240W	G12240G	10SET	
450	G12245W	G12245G	10SET	
500	G12250W	G12250G	10SET	



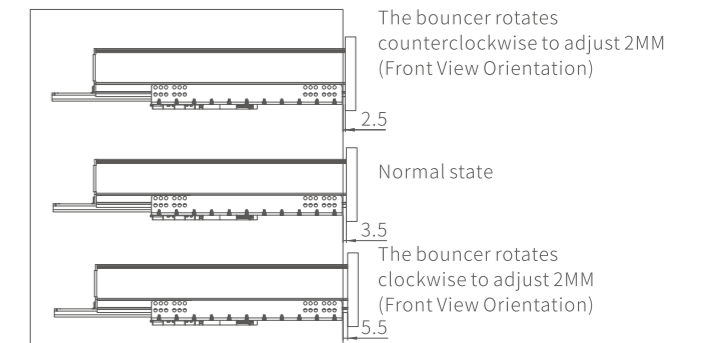
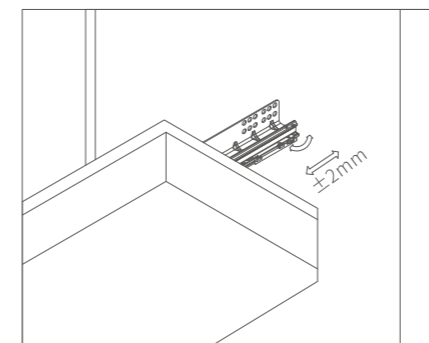
Cabinet slide mounting size



16mm (thickness) MDF cutting size



Push open adjustment



METAL-BOX Ultra-thin luxury drawer series

Ultra-thin full-pull drawer series G1223

抽屉系列 DRAWER SERIES



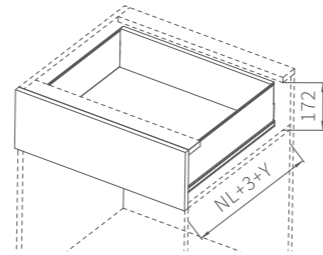
Describe

Concealed Full Extension;
Ultra-Slim Drawer Side Design;
25kg load-bearing capacity,
long service life;
Bottom-mounted SCT infinitely
variable speed damping
technology;
To ensure the slide has
smooth and gentle movement;
Equipped with TOS
push-open technology;



Product Details

Space required



NL

Nominal Length	300	350	400	450	500
Y mm	25	25	35	35	30



Soft closing



Push open



Max load bearing



Side height



Two-dim nsional adjustment

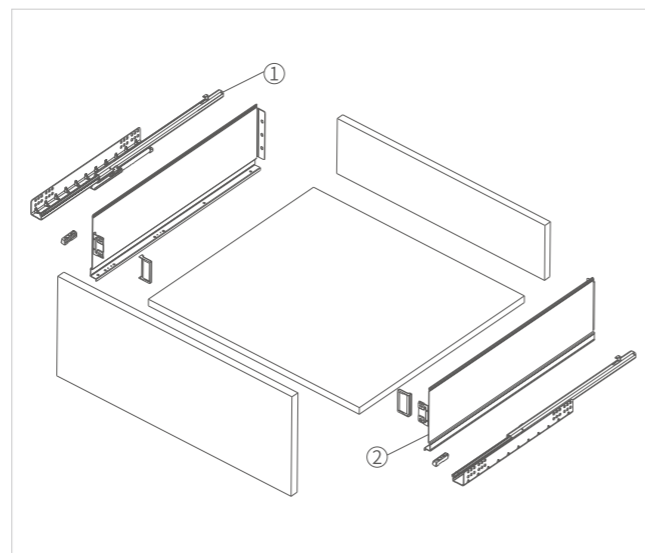
Product information

Nominal Length	Ultra-thin full-pull damping drawer		Ultra-thin full-pull rebound drawer		Amount
	Silk White	Iron Gray	Silk White	Iron Gray	
300	G1223-300W	G1223-300G	G1253-300W	G1253-300G	6SET
350	G1223-350W	G1223-350G	G1253-350W	G1253-350G	6SET
400	G1223-400W	G1223-400G	G1253-400W	G1253-400G	6SET
450	G1223-450W	G1223-450G	G1253-450W	G1253-450G	6SET
500	G1223-500W	G1223-500G	G1253-500W	G1253-500G	6SET

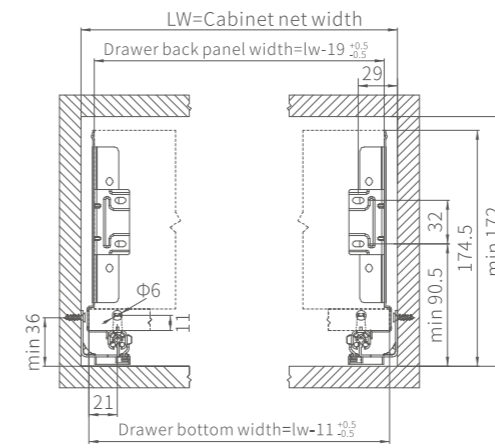
Contact(Industrial packaging)

1	Fully pull out two hidden slide rails L/R			
	Nominal Length	Soft-Closing Slide	push-open slide	Amount
	300	G2102-300	G2104-300	10SET
	350	G2102-350	G2104-350	10SET
	400	G2102-400	G2104-400	10SET
	450	G2102-450	G2104-450	10SET
	500	G2102-500	G2104-500	10SET

2	Very thin side L/R			
	Nominal length	Silk white L/R	Iron gray L/R	Amount
	300	G12230W	G12230G	10SET
	350	G12235W	G12235G	10SET
	400	G12240W	G12240G	10SET
	450	G12245W	G12245G	10SET
	500	G12250W	G12250G	10SET

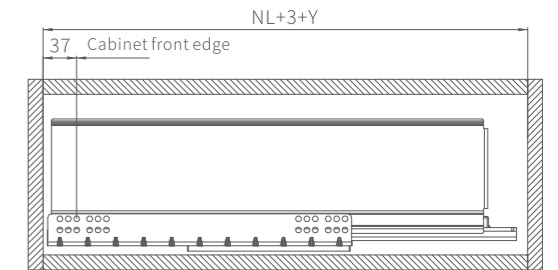


Space requirements of the inner cabinet installation



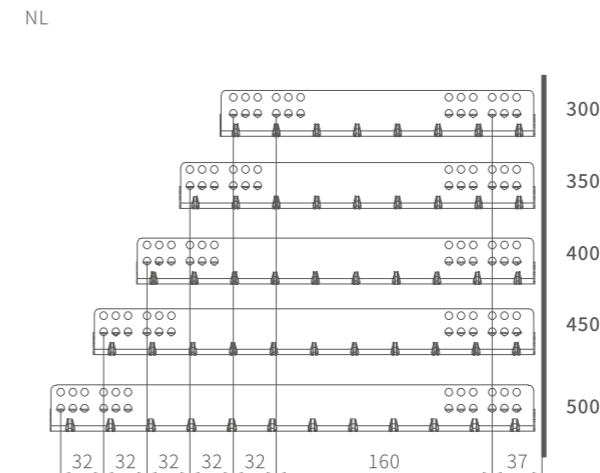
Slide mounting size

NL Nominal Length

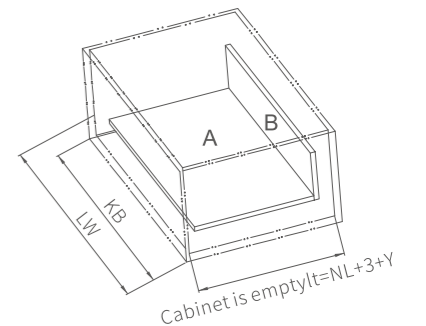
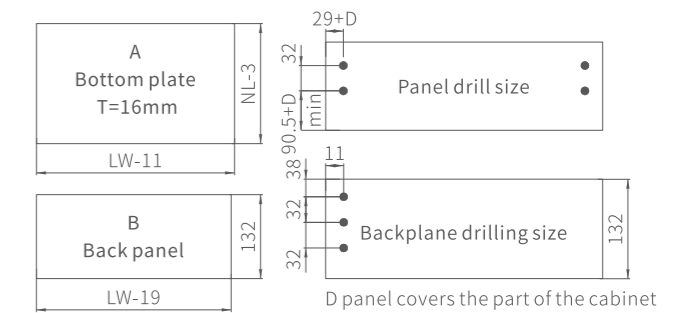


External drawer

Cabinet slide mounting size



16mm (thickness) MDF cutting size



Push open adjustment

