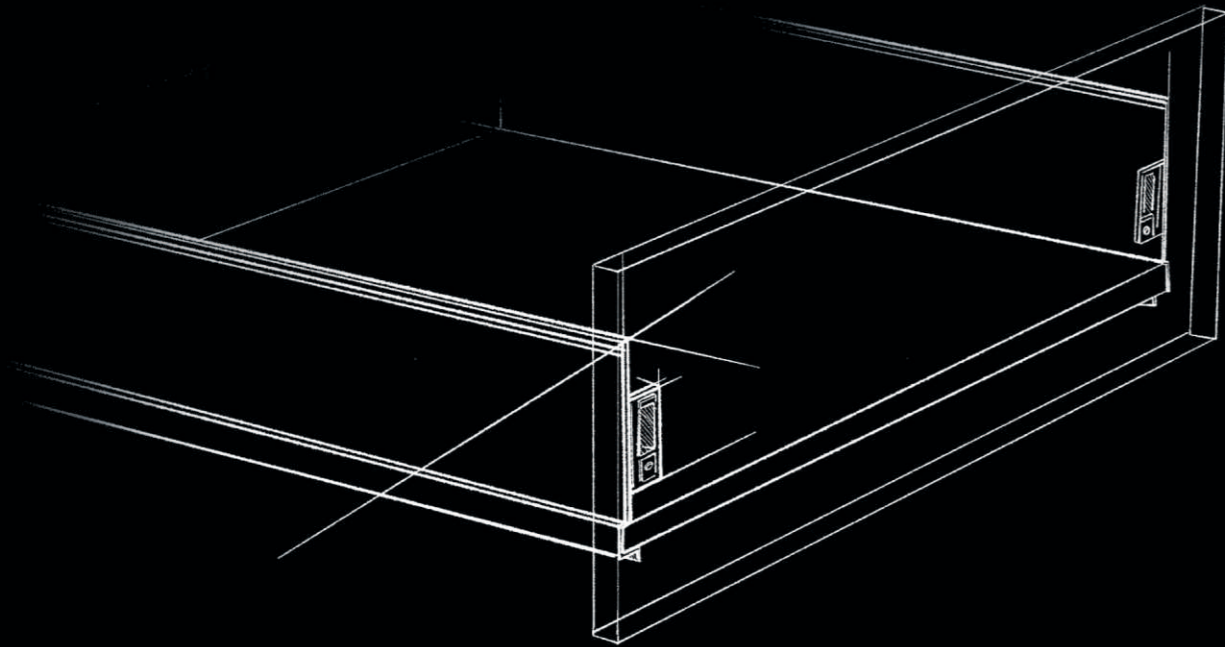


METAL-BOX EXTREMELY THIN DRAWER SERIES



METAL-BOX

Ultra Slim Drawer System



**Extremely
thin**

Extreme slim, clear edges,
they outline the temperament of the home living space.

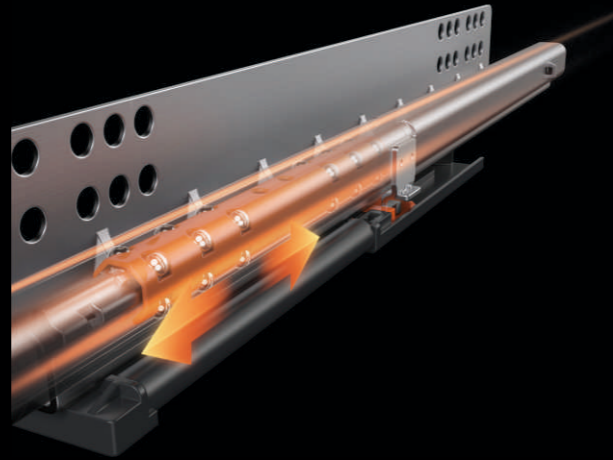


Integrated SCT Soft-closing technology



Bottom damper

Smooth running performance



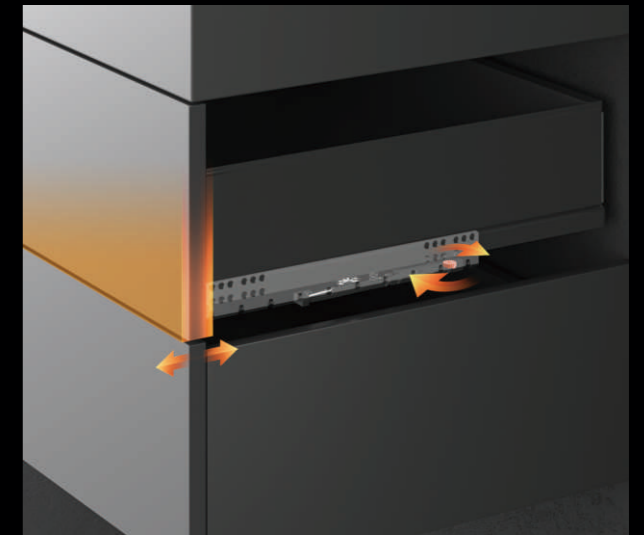
24 precision steel balls, all smooth,
Create a smooth pulling experience.

Ultra-Slim Design

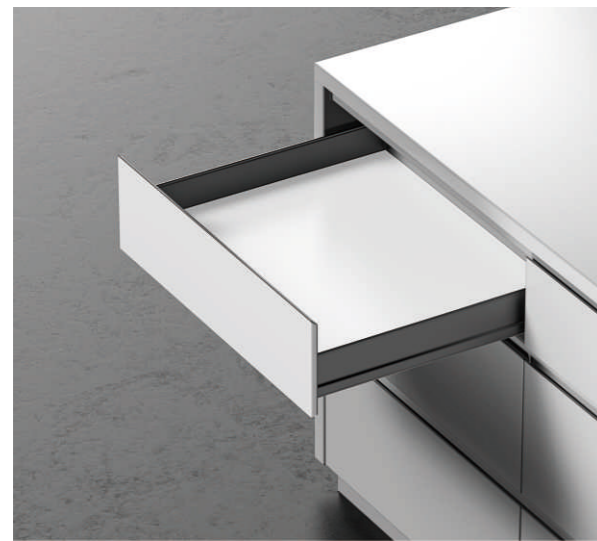


3mm ultra-thin pumping design,
minimalist appearance

push open adjustment



Open at the touch of a button,
Gear adjustment panel clearance $\pm 2\text{mm}$.



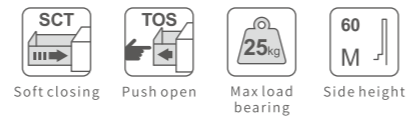
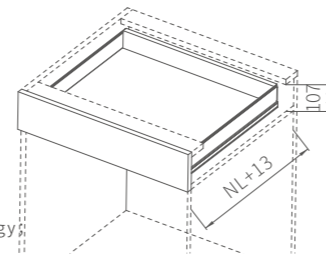
Describe

Concealed Full Extension;
Ultra-Slim Drawer Side Design;
25kg Load capacity, long service life;
It can be adjusted in three dimensions on the side;
Built-in SCT infinitely variable speed damping technology;
To ensure the slide has smooth and gentle movement;
Equipped with TOS push open technology;



Product Details

Space required

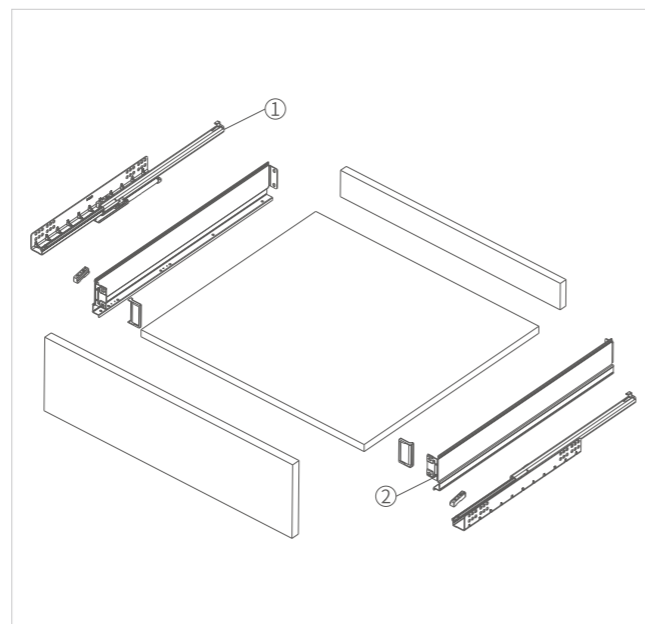


Product information

Nominal Length	Soft-Closing Drawer		Push Open Drawer		Amount
	Silk White	Iron Gray	Silk White	Iron Gray	
300	G1201-300W	G1201-300G	G1211-300W	G1211-300G	6SET
350	G1201-350W	G1201-350G	G1211-350W	G1211-350G	6SET
400	G1201-400W	G1201-400G	G1211-400W	G1211-400G	6SET
450	G1201-450W	G1201-450G	G1211-450W	G1211-450G	6SET
500	G1201-500W	G1201-500G	G1211-500W	G1211-500G	6SET
550	G1201-550W	G1201-550G	G1211-550W	G1211-550G	6SET

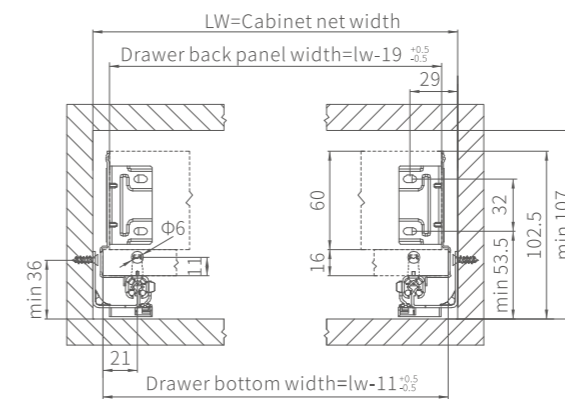
Contact(Industrial packaging)

1	Single Extension Concealed Slide L/R			
	Nominal length	Soft-closing slide	Push-open	Amount
	300	G2302-300	G2304-300	10SET
	350	G2302-350	G2304-350	10SET
	400	G2302-400	G2304-400	10SET
	450	G2302-450	G2304-450	10SET
	500	G2302-500	G2304-500	10SET
	550	G2302-550	G2304-550	10SET



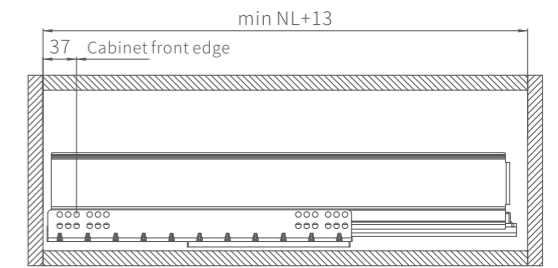
2	Slim side panel L/R			
	Nominal length	Silk white L/R	Iron gray L/R	Amount
	300	G12130W	G12130G	10SET
	350	G12135W	G12135G	10SET
	400	G12140W	G12140G	10SET
	450	G12145W	G12145G	10SET
	500	G12150W	G12150G	10SET
	550	G12155W	G12155G	10SET

Space requirements of the inner cabinet installation



Slide mounting size

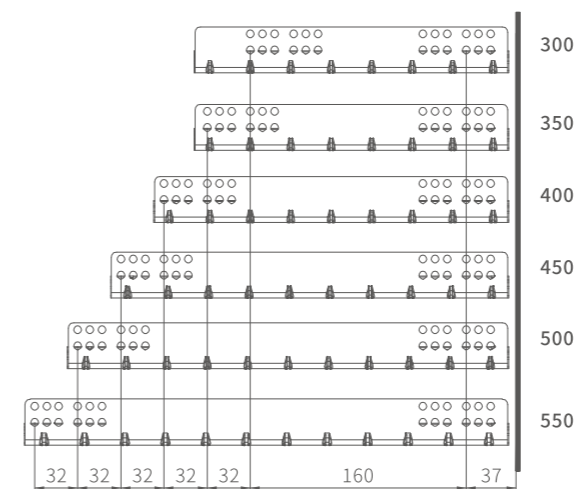
NL Nominal Length



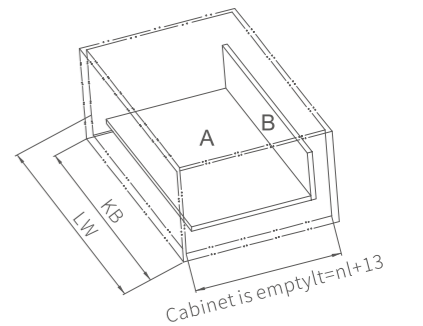
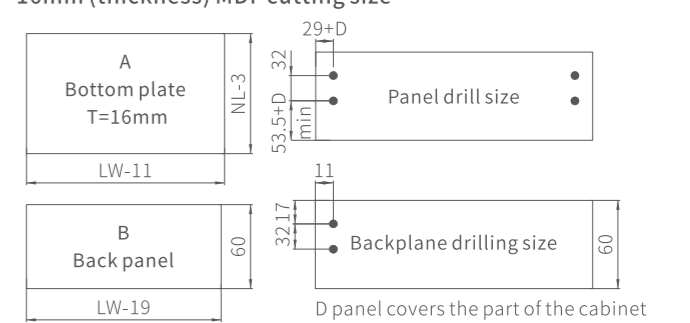
External drawer

Cabinet slide mounting size

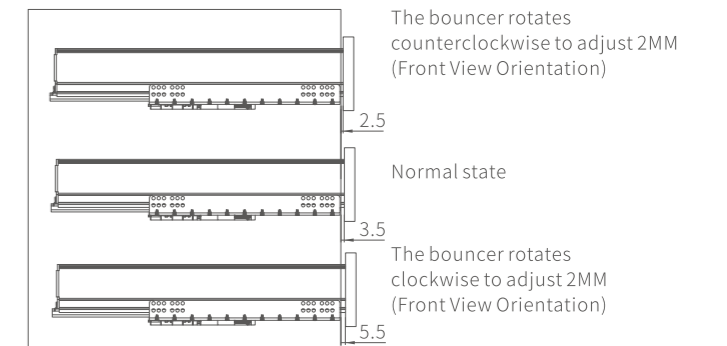
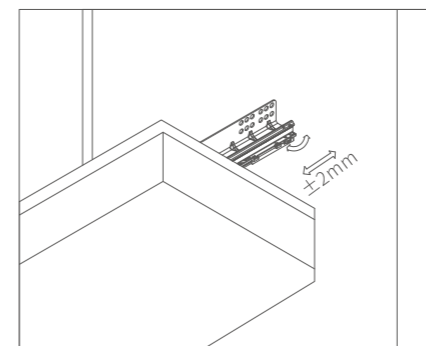
Nominal length



16mm (thickness) MDF cutting size



Push open adjustment



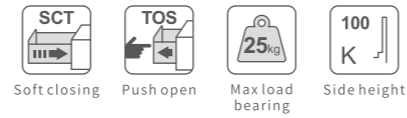
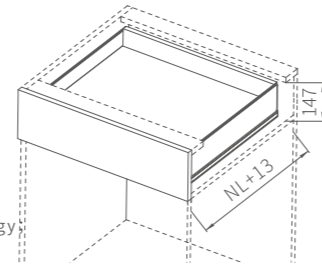


Describe

Concealed Full Extension;
Ultra-Slim Drawer Side Design;
25kg Load capacity, long service life;
It can be adjusted in three dimensions on the side;
Built-in SCT infinitely variable speed damping technology;
To ensure the slide has smooth and gentle movement;
Equipped with TOS push open technology;



Space required

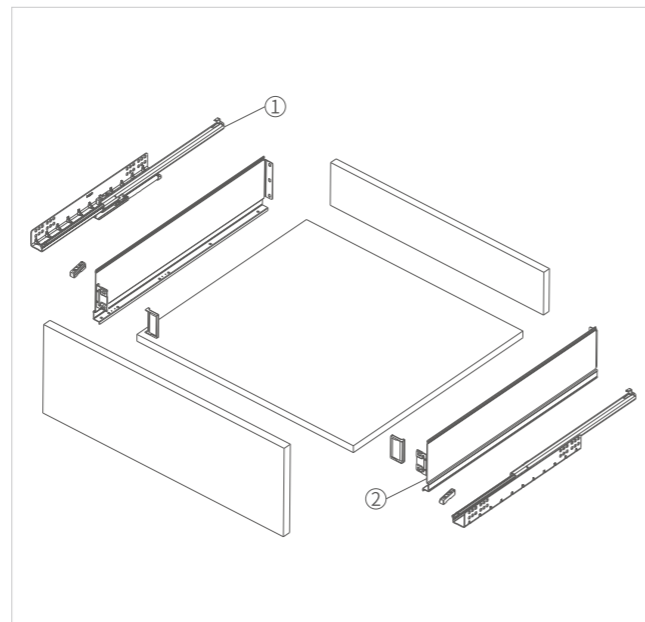


Product information

Nominal Length	Soft-Closing Drawer		Push Open Drawer		Amount
	Silk White	Iron Gray	Silk White	Iron Gray	
300	G1202-300W	G1202-300G	G1212-300W	G1212-300G	6SET
350	G1202-350W	G1202-350G	G1212-350W	G1212-350G	6SET
400	G1202-400W	G1202-400G	G1212-400W	G1212-400G	6SET
450	G1202-450W	G1202-450G	G1212-450W	G1212-450G	6SET
500	G1202-500W	G1202-500G	G1212-500W	G1212-500G	6SET
550	G1202-550W	G1202-550G	G1212-550W	G1212-550G	6SET

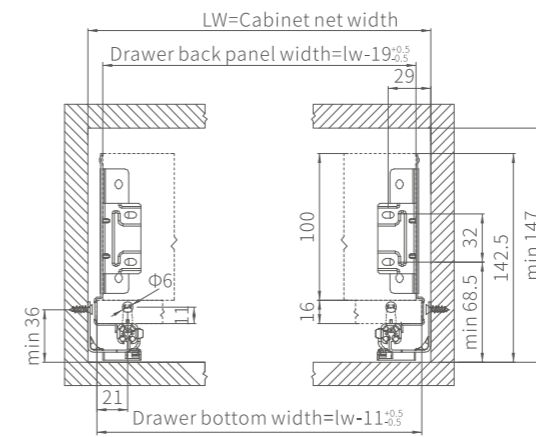
Contact(Industrial packaging)

1	Single Extension Concealed Slide L/R			
	Nominal length	Soft-closing slide	Push-open	Amount
	300	G2302-300	G2304-300	10SET
	350	G2302-350	G2304-350	10SET
	400	G2302-400	G2304-400	10SET
	450	G2302-450	G2304-450	10SET
	500	G2302-500	G2304-500	10SET
	550	G2302-550	G2304-550	10SET



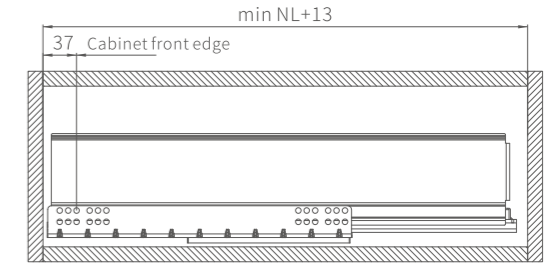
2	Slim side panel L/R			
	Nominal length	Silk white L/R	Iron gray L/R	Amount
	300	G12230W	G12230G	10SET
	350	G12235W	G12235G	10SET
	400	G12240W	G12240G	10SET
	450	G12245W	G12245G	10SET
	500	G12250W	G12250G	10SET
	550	G12255W	G12255G	10SET

Space requirements of the inner cabinet installation



Slide mounting size

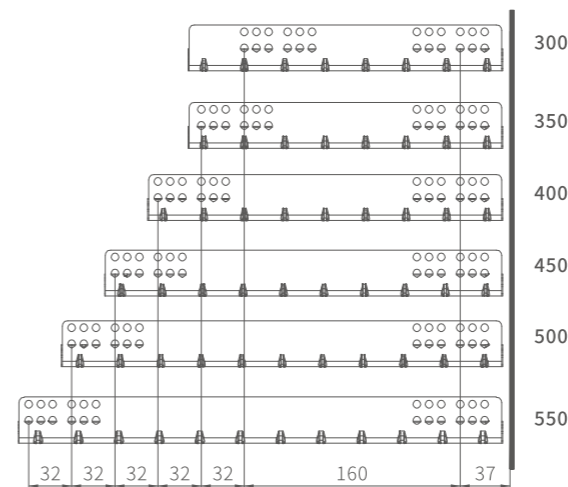
NL Nominal Length



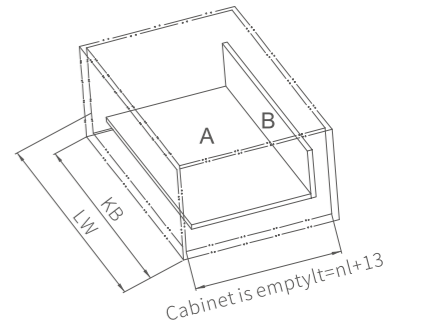
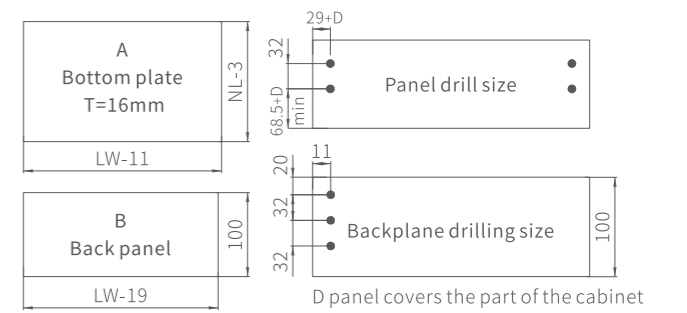
External drawer

Cabinet slide mounting size

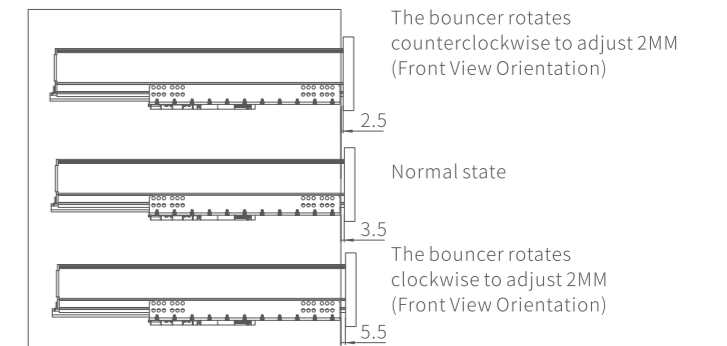
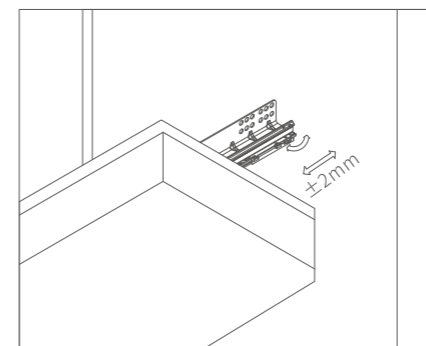
Nominal length



16mm (thickness) MDF cutting size



Push open adjustment

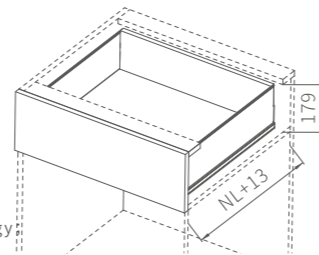




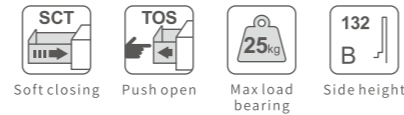
Describe

Concealed Full Extension;
Ultra-Slim Drawer Side Design;
25kg Load capacity, long service life;
It can be adjusted in three dimensions on the side;
Built-in SCT infinitely variable speed damping technology;
To ensure the slide has smooth and gentle movement;
Equipped with TOS push open technology;

Space required



Product Details

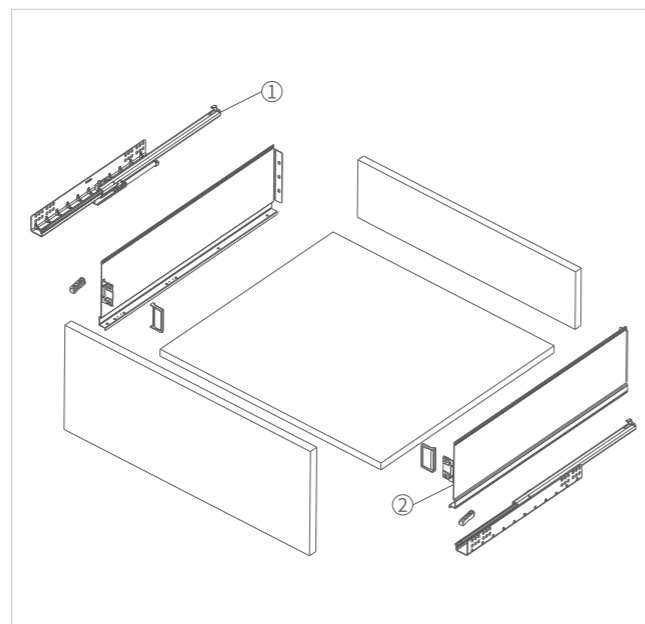


Product information

Nominal Length	Soft-Closing Drawer		Push Open Drawer		Amount
	Silk White	Iron Gray	Silk White	Iron Gray	
300	G1203-300W	G1203-300G	G1213-300W	G1213-300G	6SET
350	G1203-350W	G1203-350G	G1213-350W	G1213-350G	6SET
400	G1203-400W	G1203-400G	G1213-400W	G1213-400G	6SET
450	G1203-450W	G1203-450G	G1213-450W	G1213-450G	6SET
500	G1203-500W	G1203-500G	G1213-500W	G1213-500G	6SET
550	G1203-550W	G1203-550G	G1213-550W	G1213-550G	6SET

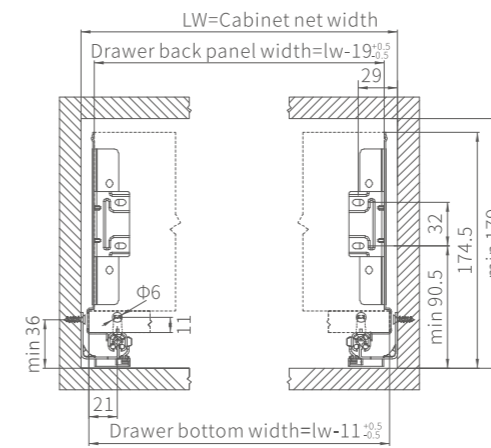
Contact(Industrial packaging)

1	Single Extension Concealed Slide L/R			
	Nominal length	Soft-closing slide	Push-open	Amount
	300	G2302-300	G2304-300	15SET
	350	G2302-350	G2304-350	15SET
	400	G2302-400	G2304-400	15SET
	450	G2302-450	G2304-450	15SET
	500	G2302-500	G2304-500	15SET
	550	G2302-550	G2304-550	15SET



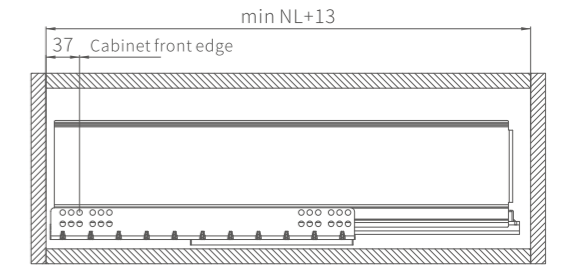
2	Slim side panel L/R			
	Nominal length	Silk white L/R	Iron gray L/R	Amount
	300	G12330W	G12330G	10SET
	350	G12335W	G12335G	10SET
	400	G12340W	G12340G	10SET
	450	G12345W	G12345G	10SET
	500	G12350W	G12350G	10SET
	550	G12355W	G12355G	10SET

Space requirements of the inner cabinet installation



Slide mounting size

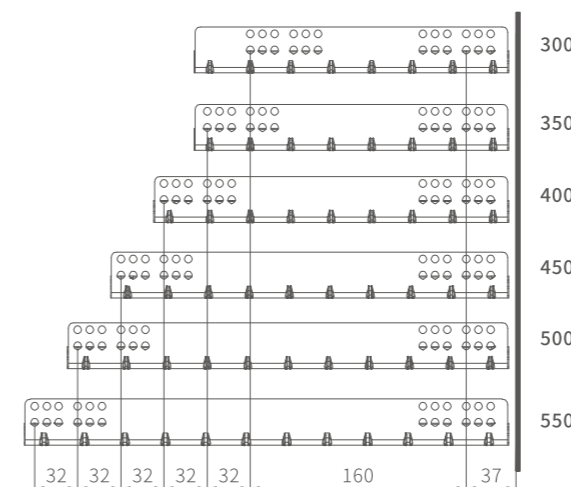
NL Nominal Length



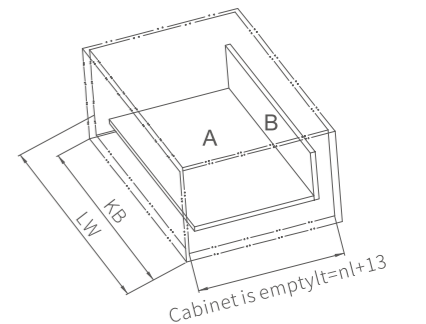
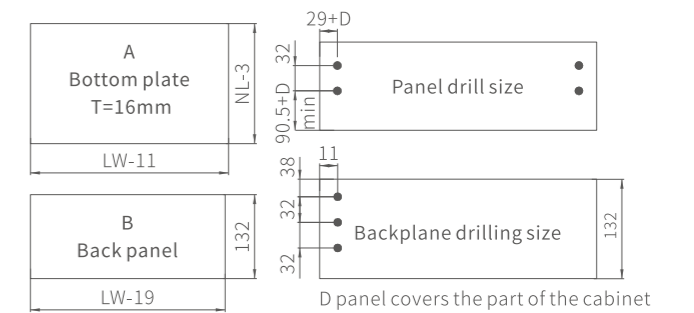
External drawer

Cabinet slide mounting size

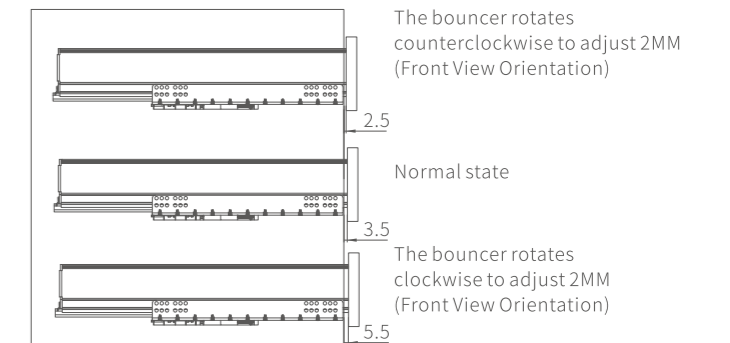
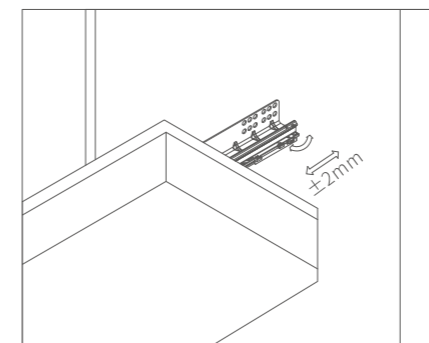
Nominal length



16mm (thickness) MDF cutting size



Push open adjustment



METAL-BOX Ultra Slim Drawer System

G1231

IN-BOX Variable DRAWER SERIES



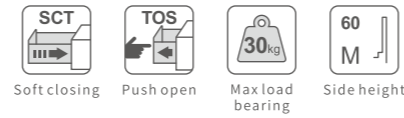
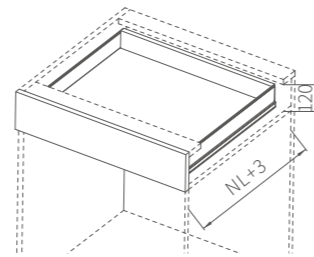
Describe

Concealed Full Extension;
Full extension synchronous suspension orbit technology;
Ultra-Slim Drawer Side Design;
30 kg Load capacity, long service life;
It can be adjusted in three dimensions on the side;
Built-in SCT infinitely variable speed damping technology;
To ensure the slide has smooth and gentle movement;
Equipped with TOS push open technology;



Product Details

Space required

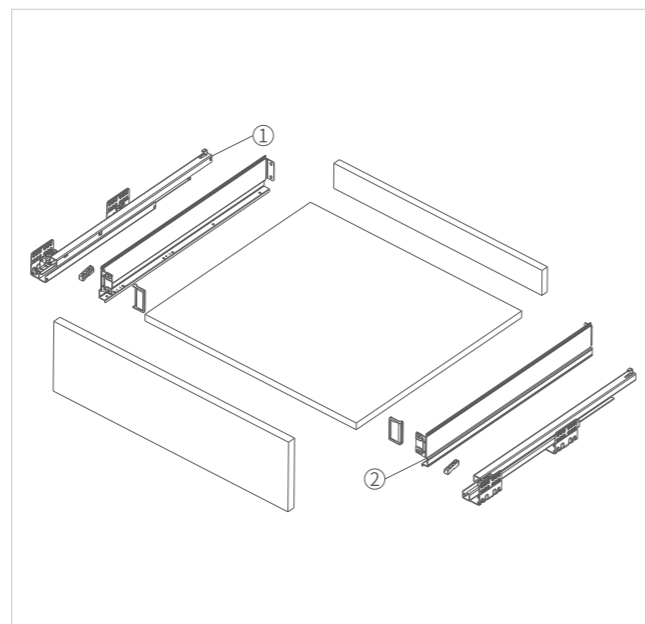


Product information

Nominal Length	Soft-Closing Drawer		Push Open Drawer		Amount
	Silk White	Iron Gray	Silk White	Iron Gray	
300	G1231-300W	G1231-300G	G1241-300W	G1241-300G	6SET
350	G1231-350W	G1231-350G	G1241-350W	G1241-350G	6SET
400	G1231-400W	G1231-400G	G1241-400W	G1241-400G	6SET
450	G1231-450W	G1231-450G	G1241-450W	G1241-450G	6SET
500	G1231-500W	G1231-500G	G1241-500W	G1241-500G	6SET
550	G1231-550W	G1231-550G	G1241-550W	G1241-550G	6SET

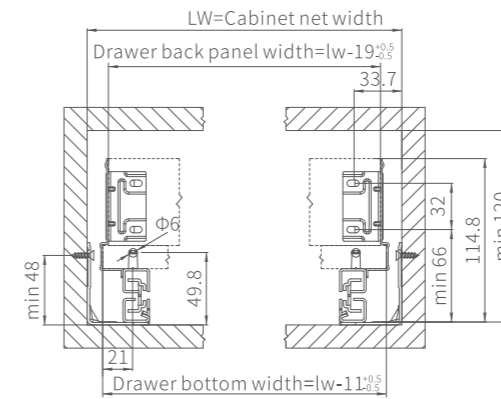
Contact(Industrial packaging)

1	Single Extension Concealed Slide L/R			
	Nominal length	Soft-closing slide	Push-open	Amount
	300	G30130	G31130	10SET
	350	G30135	G31135	10SET
	400	G30140	G31140	10SET
	450	G30145	G31145	10SET
	500	G30150	G31150	10SET
	550	G30155	G31155	10SET



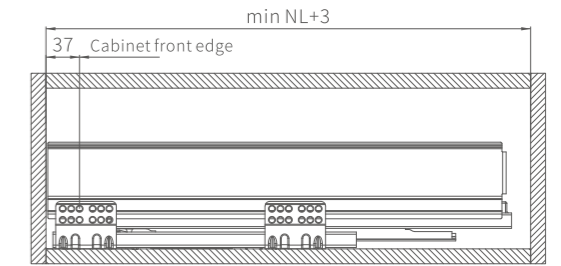
2	Slim side panel L/R			
	Nominal length	Silk white L/R	Iron gray L/R	Amount
	300	G12130W	G12130G	10SET
	350	G12135W	G12135G	10SET
	400	G12140W	G12140G	10SET
	450	G12145W	G12145G	10SET
	500	G12150W	G12150G	10SET
	550	G12155W	G12155G	10SET

Space requirements of the inner cabinet installation



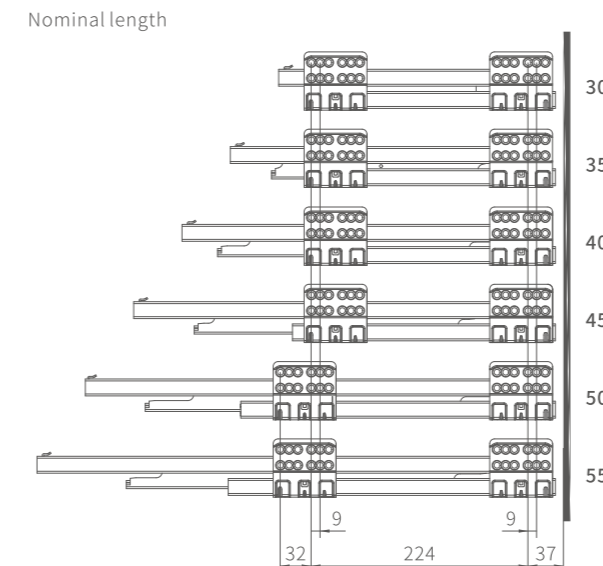
Slide mounting size

NL Nominal Length

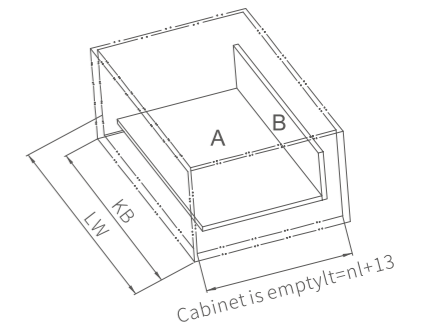
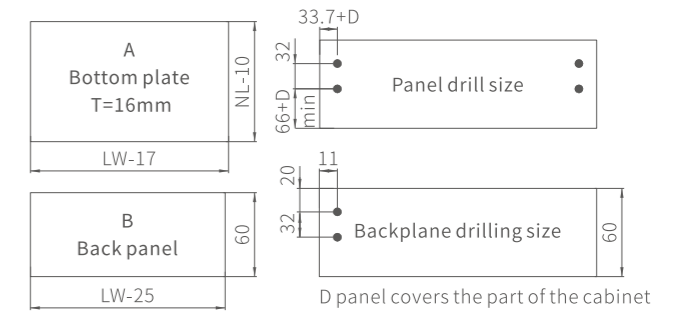


External drawer

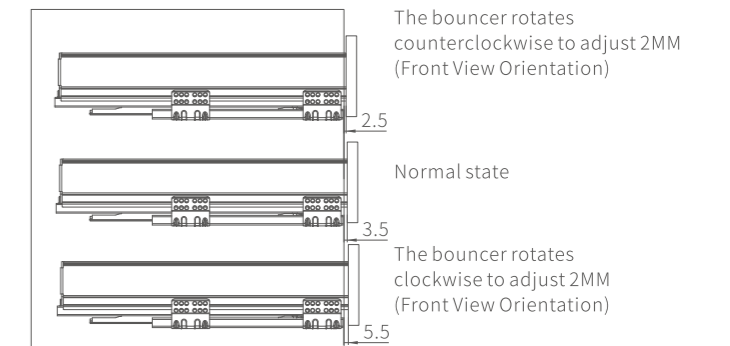
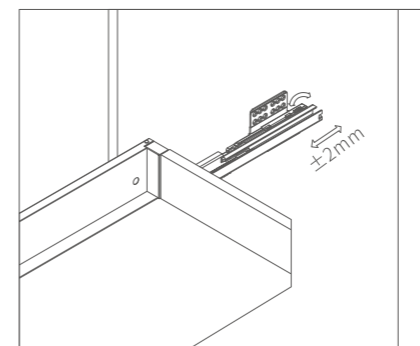
Cabinet slide mounting size



16mm (thickness) MDF cutting size



Push open adjustment



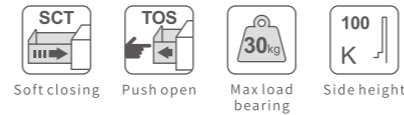
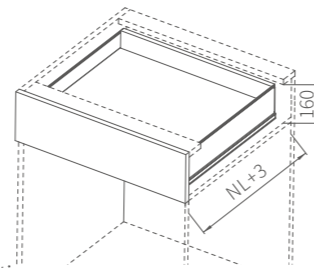


Describe

Concealed Full Extension;
Full extension synchronous suspension orbit technology;
Ultra-Slim Drawer Side Design;
30 kg Load capacity, long service life;
It can be adjusted in three dimensions on the side;
Built-in SCT infinitely variable speed damping technology;
To ensure the slide has smooth and gentle movement;
Equipped with TOS push open technology;



Space required

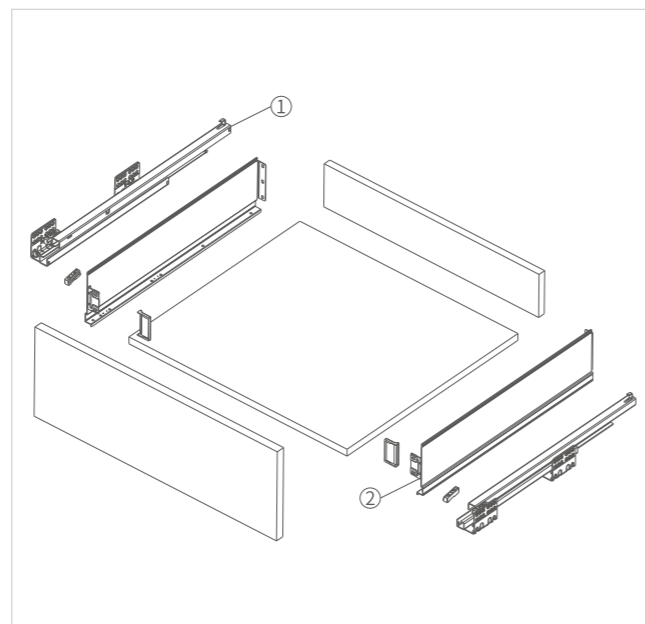


Product information

Nominal Length	Soft-Closing Drawer		Push Open Drawer		Amount
	Silk White	Iron Gray	Silk White	Iron Gray	
300	G1232-300W	G1232-300G	G1242-300W	G1242-300G	6SET
350	G1232-350W	G1232-350G	G1242-350W	G1242-350G	6SET
400	G1232-400W	G1232-400G	G1242-400W	G1242-400G	6SET
450	G1232-450W	G1232-450G	G1242-450W	G1242-450G	6SET
500	G1232-500W	G1232-500G	G1242-500W	G1242-500G	6SET
550	G1232-550W	G1232-550G	G1242-550W	G1242-550G	6SET

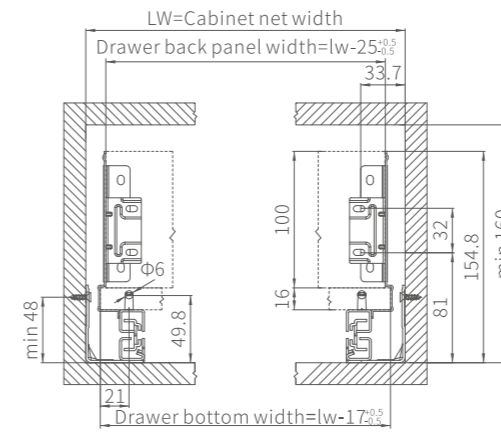
Contact(Industrial packaging)

1	Single Extension Concealed Slide L/R			
	Nominal length	Soft-closing slide	Push-open	Amount
	300	G30130	G31130	10SET
	350	G30135	G31135	10SET
	400	G30140	G31140	10SET
	450	G30145	G31145	10SET
	500	G30150	G31150	10SET
	550	G30155	G31155	10SET



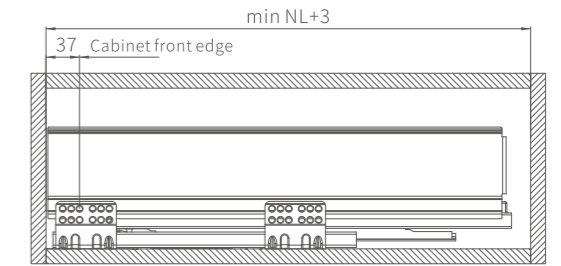
2	Slim side panel L/R			
	Nominal length	Silk white L/R	Iron gray L/R	Amount
	300	G12230W	G12230G	10SET
	350	G12235W	G12235G	10SET
	400	G12240W	G12240G	10SET
	450	G12245W	G12245G	10SET
	500	G12250W	G12250G	10SET
	550	G12255W	G12255G	10SET

Space requirements of the inner cabinet installation



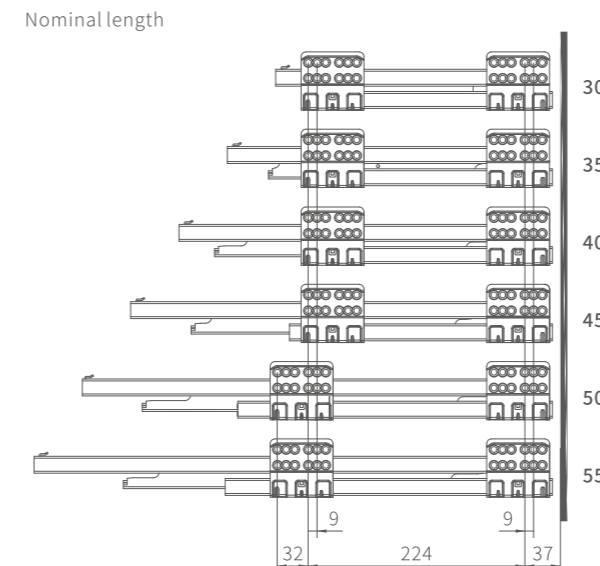
Slide mounting size

NL Nominal Length

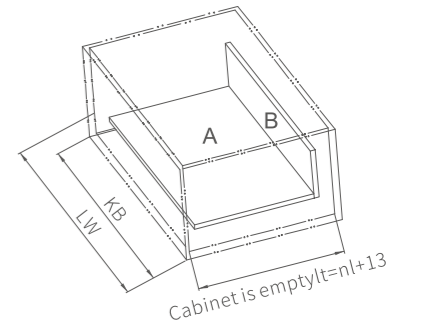
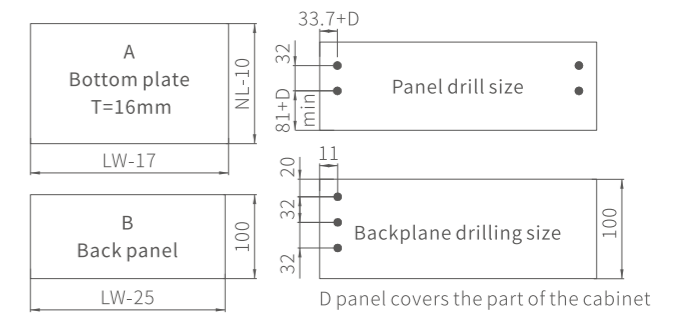


External drawer

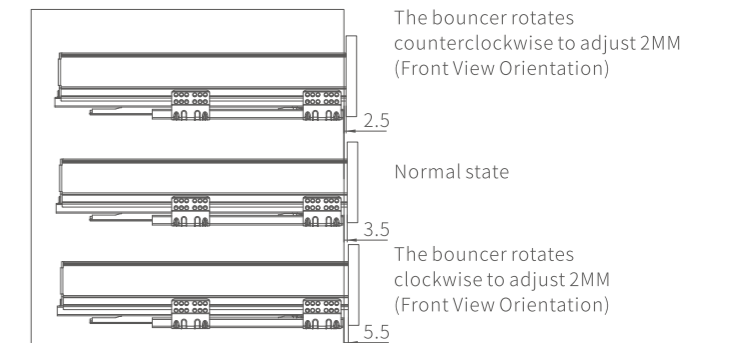
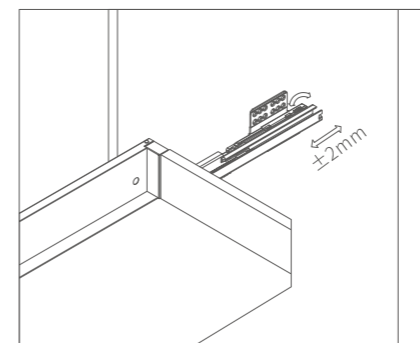
Cabinet slide mounting size



16mm (thickness) MDF cutting size



Push open adjustment



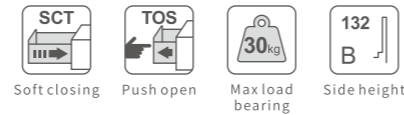
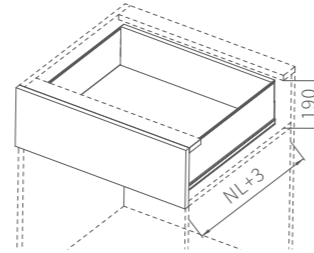


Describe

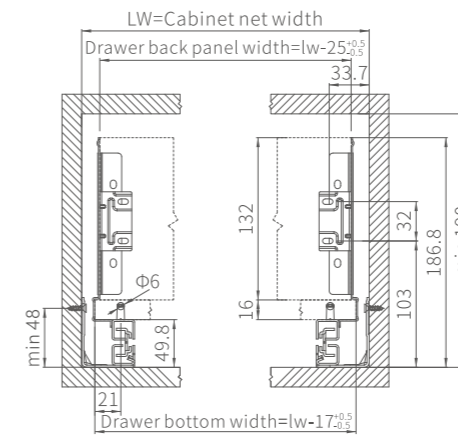
Concealed Full Extension;
Full extension synchronous suspension orbit technology;
Ultra-Slim Drawer Side Design;
30 kg Load capacity, long service life;
It can be adjusted in three dimensions on the side;
Built-in SCT infinitely variable speed damping technology;
To ensure the slide has smooth and gentle movement;
Equipped with TOS push open technology;



Space required

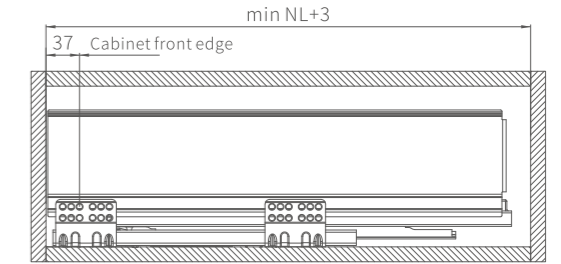


Space requirements of the inner cabinet installation



Slide mounting size

NL Nominal Length



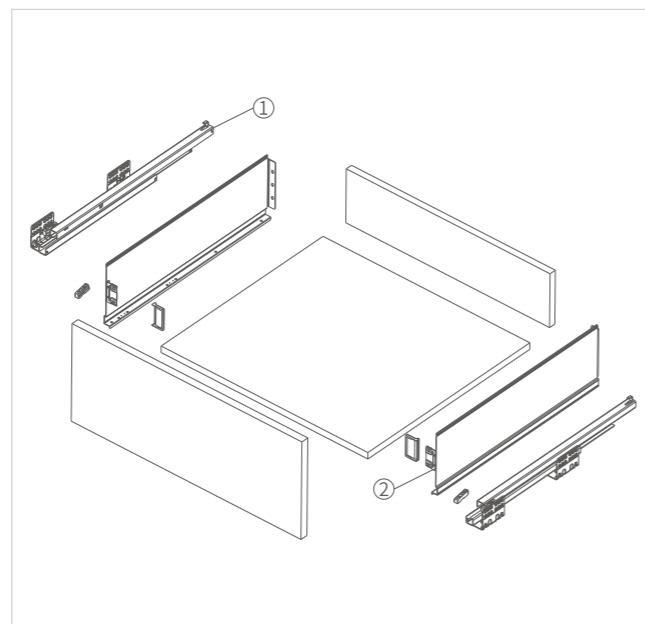
External drawer

Product information

Nominal Length	Soft-Closing Drawer		Push Open Drawer		Amount
	Silk White	Iron Gray	Silk White	Iron Gray	
300	G1233-300W	G1233-300G	G1243-300W	G1243-300G	6SET
350	G1233-350W	G1233-350G	G1243-350W	G1243-350G	6SET
400	G1233-400W	G1233-400G	G1243-400W	G1243-400G	6SET
450	G1233-450W	G1233-450G	G1243-450W	G1243-450G	6SET
500	G1233-500W	G1233-500G	G1243-500W	G1243-500G	6SET
550	G1233-550W	G1233-550G	G1243-550W	G1243-550G	6SET

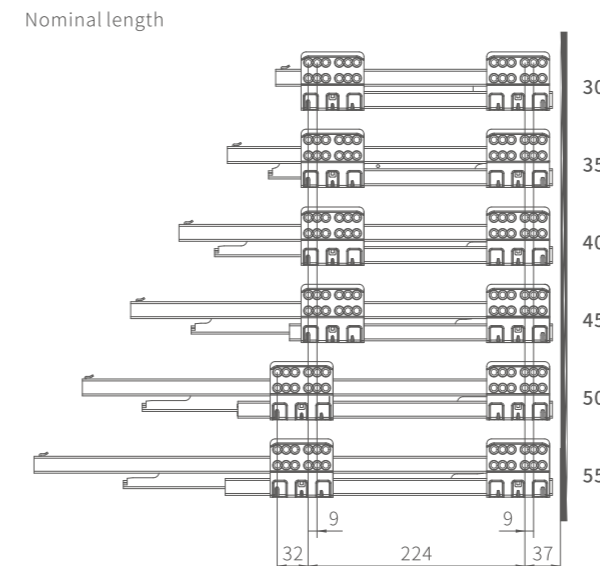
Contact(Industrial packaging)

1	Single Extension Concealed Slide L/R			
	Nominal length	Soft-closing slide	Push-open	Amount
	300	G30130	G31130	10SET
	350	G30135	G31135	10SET
	400	G30140	G31140	10SET
	450	G30145	G31145	10SET
	500	G30150	G31150	10SET
	550	G30155	G31155	10SET

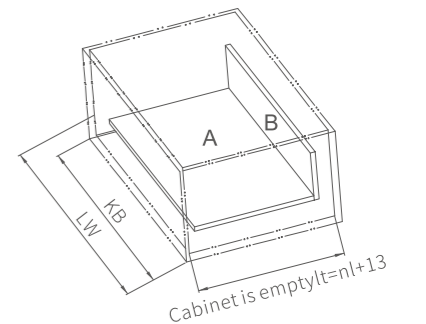
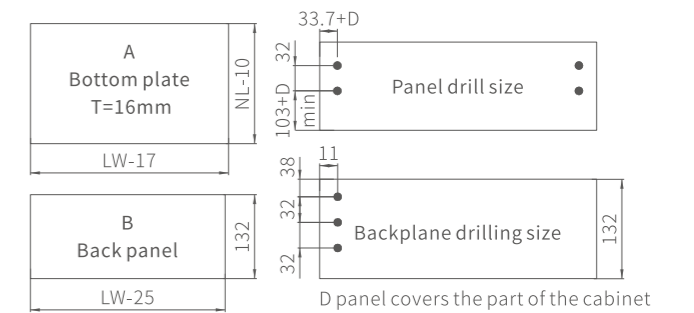


2	Slim side panel L/R			
	Nominal length	Silk white L/R	Iron gray L/R	Amount
	300	G12330W	G12330G	10SET
	350	G12335W	G12335G	10SET
	400	G12340W	G12340G	10SET
	450	G12345W	G12345G	10SET
	500	G12350W	G12350G	10SET
	550	G12355W	G12355G	10SET

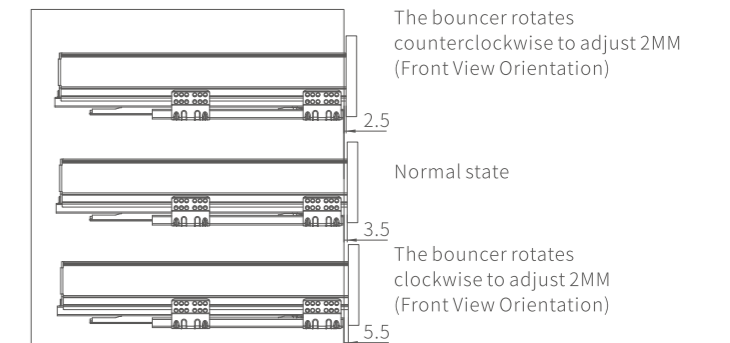
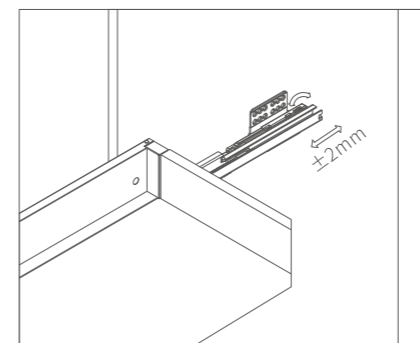
Cabinet slide mounting size



16mm (thickness) MDF cutting size



Push open adjustment

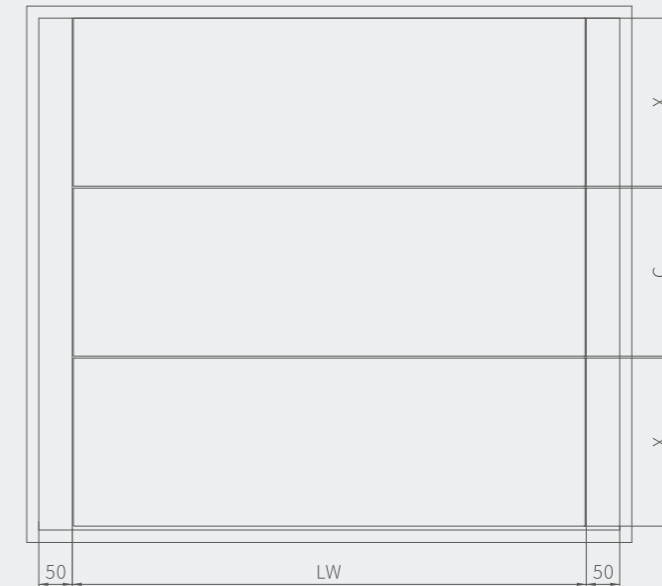


METAL-BOX

Very thin wardrobe application



Space requirements within the cabinet



Installation height	X(mm)
M	107
K	147
B	172

Product information

Recommended application for extremely thin drawers

G1201 Ultra Slim Drawer H=60mm	195
G1202 Ultra Slim Drawer H=100mm	197
G1203 Ultra Slim Drawer H=132mm	199
G1231 Ultra Slim Drawer H=60mm	201
G1232 Ultra Slim Drawer H=100mm	203
G1233 Ultra Slim Drawer H=132mm	205

Recommended hinge applications

KL72 Aluminum frame hinge	041
---------------------------	-----

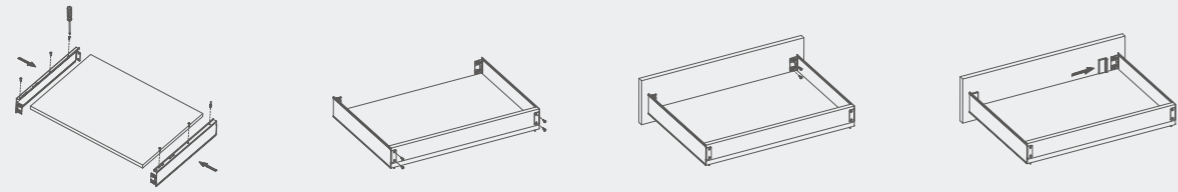


Product Details

Describe

Out of the frame and refuse to be cookie-cutt
Glass side transparency design, easy to take, needn't disrupt the order of the item;
Minimalist and elegance, from the inside out, it is clean and neat, with graceful experience.
Slim and Light Design, it is more flexible, and good to expand the storage space;
Slim line sense, smooth edging, your touch will bring you advanced sense;
The use of high-quality slide, smooth pushing and pulling, brings you a pleasant and safe experience for each opening;
The noiseless soft-closing system is used to say goodbye to noises and make the closure gentle and quiet.

Drawer installation drawing



Bolt-type Slide installation/removal



Handle-type Slide installation/removal

