

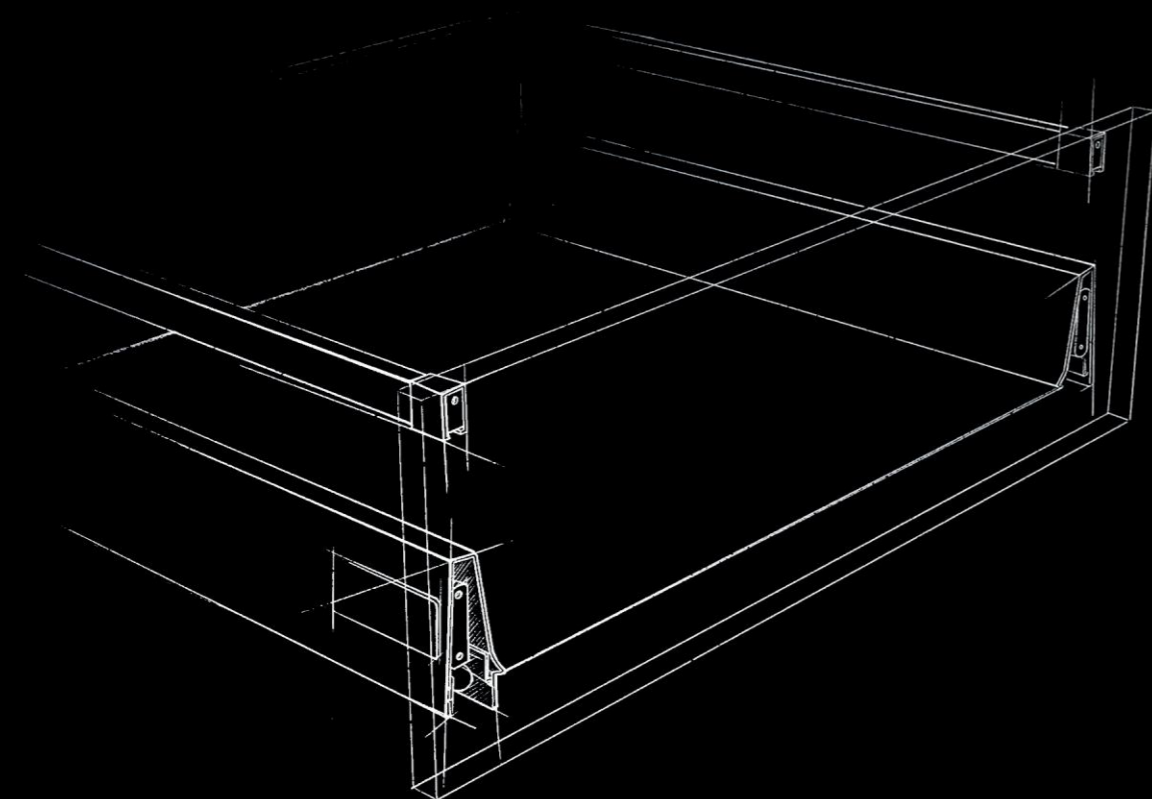
IN-BOX TANDEM BOX SERIES

IN-BOX Variety drawer series



IN-BOX

Variety drawer series



Elevated design

High-quality materials, endow the drawer with super strong bearing capacity,
Can be heightened,
Smartly increase storage space.

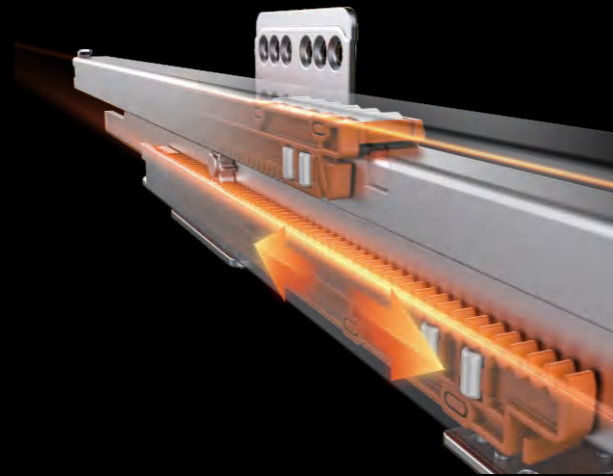


Multiple expansion methods



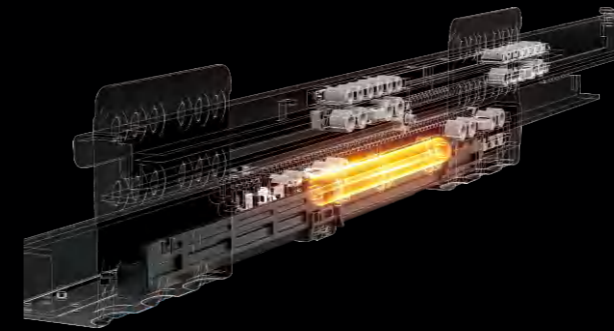
flexible combinations,
Improve the three-dimensional storage space.

Full extension synchronization technology



Roller device application to reduce friction,
Push-pull is light and smooth.

Integrated SCT Soft-closing technology



buffer damper,
Make opening and closing easy,
quiet and noise-free.

Push open adjustment



Open at the touch of a button,
Gear adjustment panel clearance $\pm 2\text{mm}$.

IN-BOX Variable Drawer System

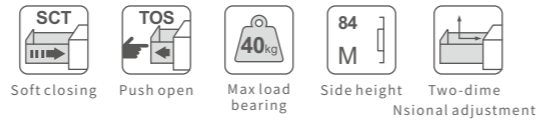
Variety drawer series Gh3201

DRAWER SERIES

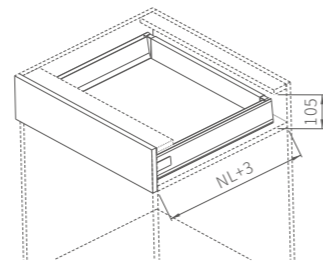


Describe

Concealed Full Extension;
Full extension synchronous suspension orbit technology;
40kg load-bearing capacity, long service life;
It can be adjusted in two dimensions on the drawer side;
Built-in SCT infinitely variable speed damping technology;
To ensure the slide has smooth and gentle movement;
Equipped with TOS push open technology;



Space required



NL

Product information

Nominal Length	Variety damping drawer		Variety rebound drawer		Amount
	Silk White	Iron Gray	Silk White	Iron Gray	
270	GH3201-270W	GH3201-270G	GH3251-270W	GH3251-270G	6SET
300	GH3201-300W	GH3201-300G	GH3251-300W	GH3251-300G	6SET
350	GH3201-350W	GH3201-350G	GH3251-350W	GH3251-350G	6SET
400	GH3201-400W	GH3201-400G	GH3251-400W	GH3251-400G	6SET
450	GH3201-450W	GH3201-450G	GH3251-450W	GH3251-450G	6SET
500	GH3201-500W	GH3201-500G	GH3251-500W	GH3251-500G	6SET
550	GH3201-550W	GH3201-550G	GH3251-550W	GH3251-550G	6SET

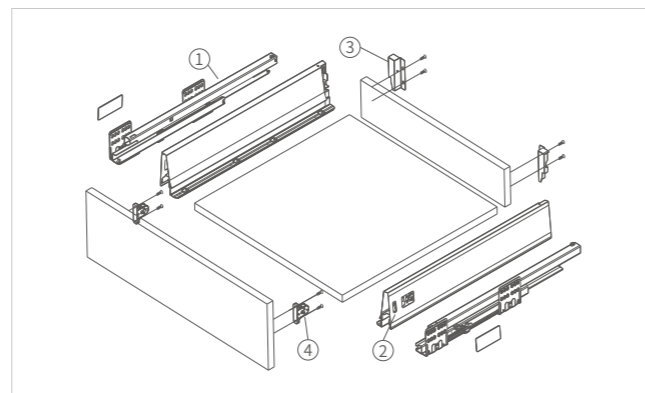
Contact(Industrial packaging)

1 Concealed full extension sync Slide L/R					2 IN-BOX side panel L/R				
Nominal length	Soft-closing slide	Push-open	Amount		Nominal length	Silk white L/R	Iron gray L/R	Amount	
270	322270	323270	10SET		270	321270W	321270G	20PCS	
300	322300	323300	10SET		300	321300W	321300G	20PCS	
350	322350	323350	10SET		350	321350W	321350G	20PCS	
400	322400	323400	10SET		400	321400W	321400G	20PCS	
450	322450	323450	10SET		450	321450W	321450G	20PCS	
500	322500	323500	10SET		500	321500W	321500G	20PCS	
550	322550	323550	10SET		550	321550W	321550G	20PCS	

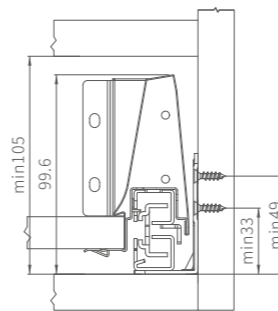
3 Rear Connector			
Product number	Amount		
3201168W	100SET		

4 Front Connector		
Product number	Amount	
201001	100SET	

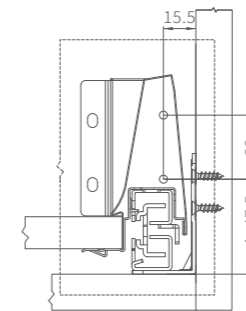
4 Shop Quick-mounting Front Connector		
Product number	AMOUNT	
201002	100SET	



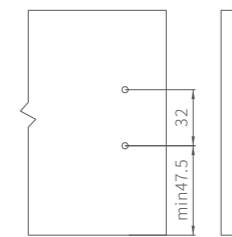
Cabinet space requirements



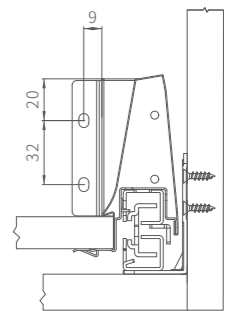
Front Connector panel mounting size



Panel hole size

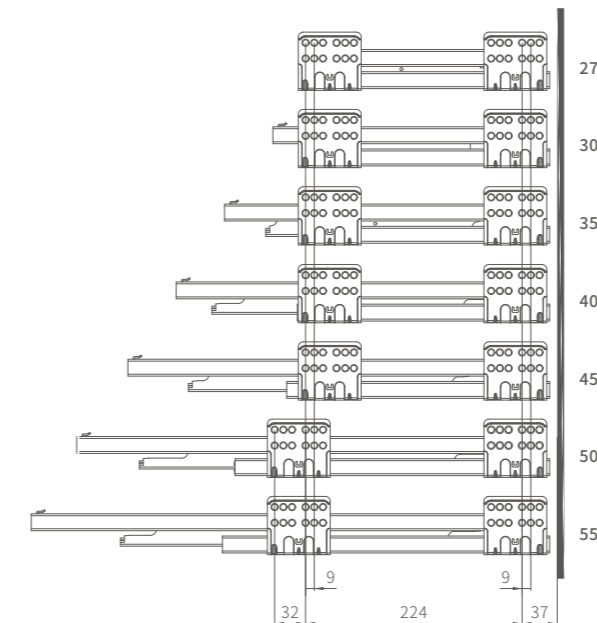


Backplane Mounting Dimensions



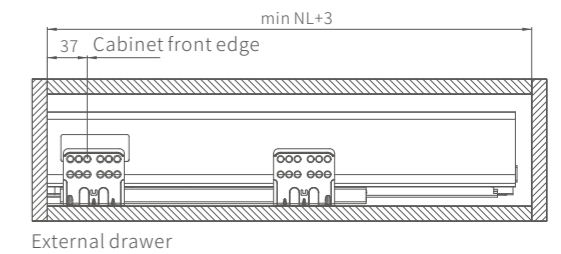
Cabinet track installation dimensions

NL

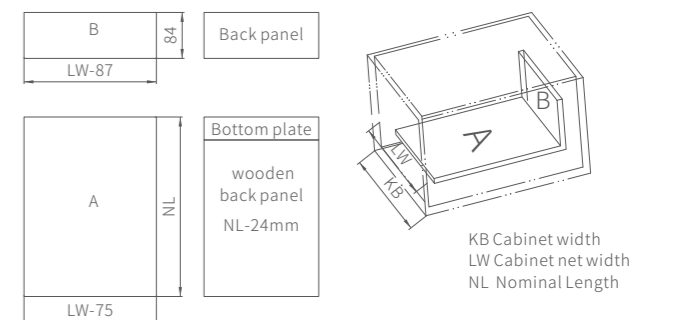


Slide rail installation dimensions

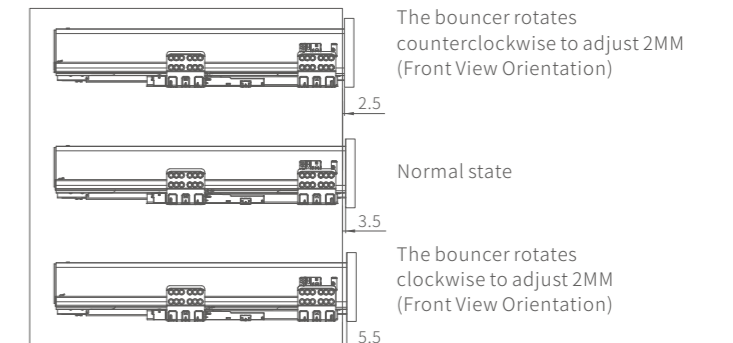
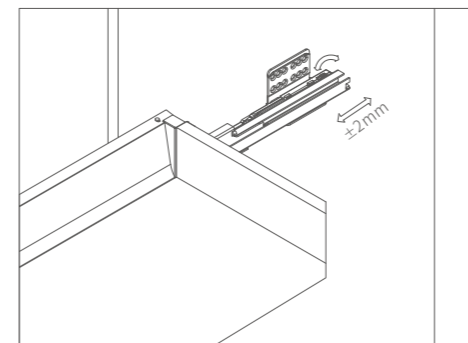
NL



16mm (thickness) MDF cutting size



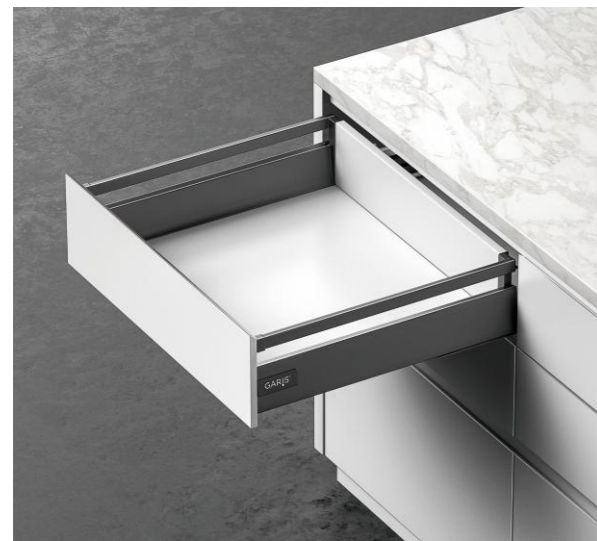
Push open adjustment



IN-BOX Variable Drawer System

Variety drawer series Gh3202

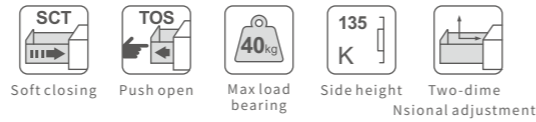
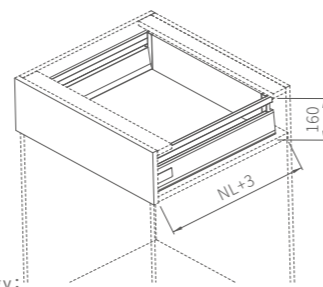
DRAWER SERIES



Describe

Concealed Full Extension;
Full extension synchronous suspension orbit technology;
40kg load-bearing capacity, long service life;
It can be adjusted in two dimensions on the drawer side;
Built-in SCT infinitely variable speed damping technology;
To ensure the slide has smooth and gentle movement;
Equipped with TOS push open technology;

Space required



Product information

Nominal Length	Variety damping drawer		Variety rebound drawer		Amount
	Silk White	Iron Gray	Silk White	Iron Gray	
270	GH3202-270W	GH3202-270G	GH3252-270W	GH3252-270G	6SET
300	GH3202-300W	GH3202-300G	GH3252-300W	GH3252-300G	6SET
350	GH3202-350W	GH3202-350G	GH3252-350W	GH3252-350G	6SET
400	GH3202-400W	GH3202-400G	GH3252-400W	GH3252-400G	6SET
450	GH3202-450W	GH3202-450G	GH3252-450W	GH3252-450G	6SET
500	GH3202-500W	GH3202-500G	GH3252-500W	GH3252-500G	6SET
550	GH3202-550W	GH3202-550G	GH3252-550W	GH3252-550G	6SET

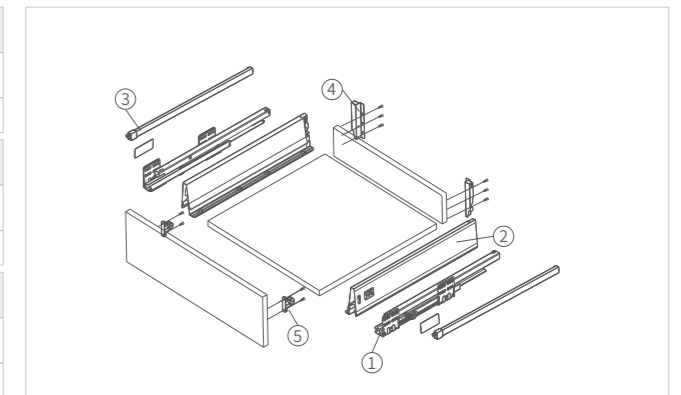
Contact(Industrial packaging)

1	Concealed full extension sync Slide L/R			
	Nominal length	Soft-closing slide	BL Push-open	Amount
	270	322270	323270	10SET
	300	322300	323300	10SET
	350	322350	323350	10SET
	400	322400	323400	10SET
	450	322450	323450	10SET
	500	322500	323500	10SET
	550	322550	323550	10SET

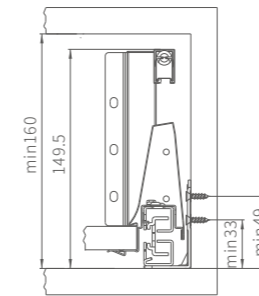
2	IN-BOX side panel L/R			
	Nominal length	Silk white L/R	Iron gray L/R	Amount
	270	321270W	321270G	20PCS
	300	321300W	321300G	20PCS
	350	321350W	321350G	20PCS
	400	321400W	321400G	20PCS
	450	321450W	321450G	20PCS
	500	321500W	321500G	20PCS
	550	321550W	321550G	20PCS

3	Square lever L/R			
	Nominal length	Silk white L/R	Iron gray L/R	Amount
	270	GF320270W	GF320270G	50SET
	300	GF320300W	GF320300G	50SET
	350	GF320350W	GF320350G	50SET
	400	GF320400W	GF320400G	50SET
	450	GF320450W	GF320450G	50SET
	500	GF320500W	GF320500G	50SET
	550	GF320550W	GF320550G	50SET

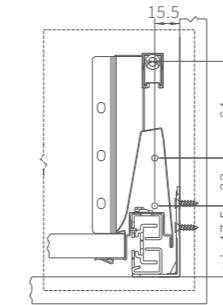
4		Rear Connector		
		Silk white L/R	Iron gray L/R	Amount
		3202119W	3202119G	100SET
5		Front Connector		
		Product Code	Amount	
		201001	100SET	
5		Shop Quick-mounting Front Connector		
		Product Code	Amount	
		201002	100SET	



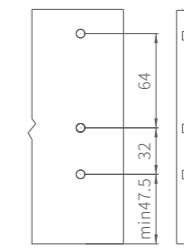
Space requirements of the inner cabinet installation



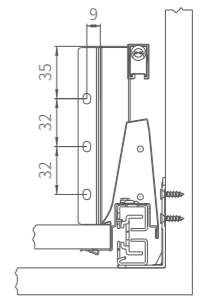
Front Connector panel mounting size



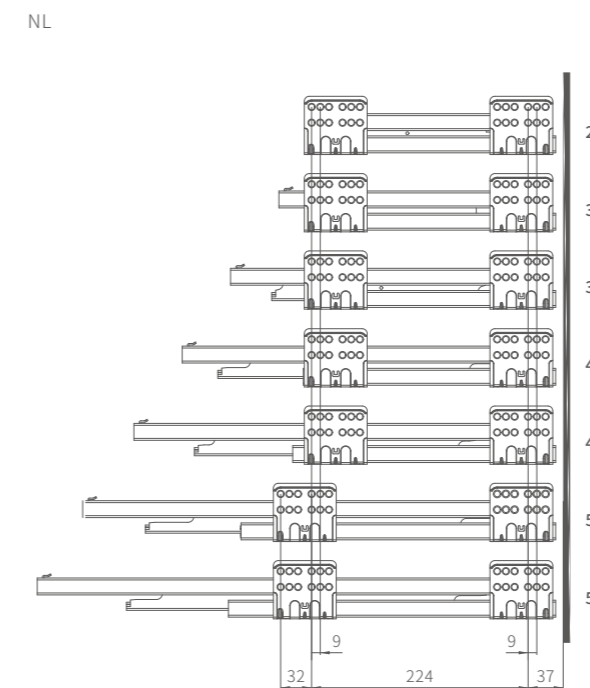
Panel hole size



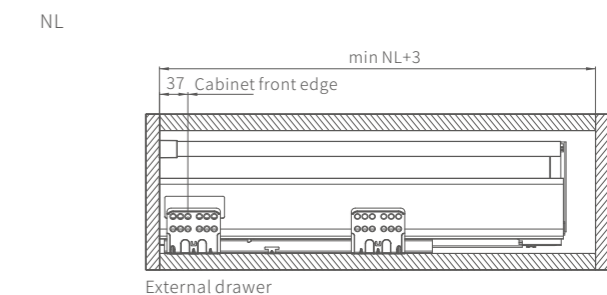
Back-panel mounting size



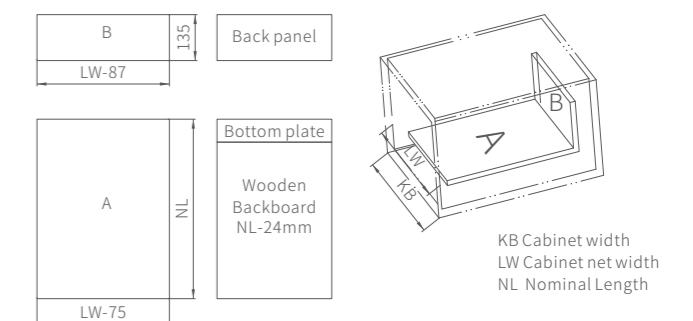
Cabinet slide mounting size



Slide mounting size



16mm (thickness) MDF cutting size



KB Cabinet width
LW Cabinet net width
NL Nominal Length

IN-BOX Variable Drawer System

Variety drawer series Gh3203

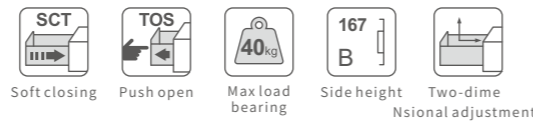
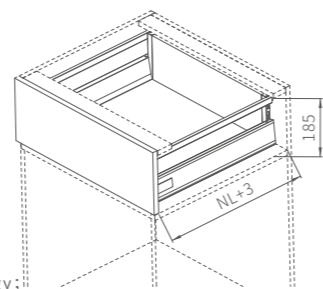
DRAWER SERIES



Describe

Concealed Full Extension;
Full extension synchronous suspension orbit technology;
40kg load-bearing capacity, long service life;
It can be adjusted in two dimensions on the drawer side;
Built-in SCT infinitely variable speed damping technology;
To ensure the slide has smooth and gentle movement;
Equipped with TOS push open technology;

Space required



Product information

Nominal Length	Variety damping drawer		Variety rebound drawer		Amount
	Silk White	Iron Gray	Silk White	Iron Gray	
270	GH3203-270W	GH3203-270G	GH3253-270W	GH3253-270G	6SET
300	GH3203-300W	GH3203-300G	GH3253-300W	GH3253-300G	6SET
350	GH3203-350W	GH3203-350G	GH3253-350W	GH3253-350G	6SET
400	GH3203-400W	GH3203-400G	GH3253-400W	GH3253-400G	6SET
450	GH3203-450W	GH3203-450G	GH3253-450W	GH3253-450G	6SET
500	GH3203-500W	GH3203-500G	GH3253-500W	GH3253-500G	6SET
550	GH3203-550W	GH3203-550G	GH3253-550W	GH3253-550G	6SET

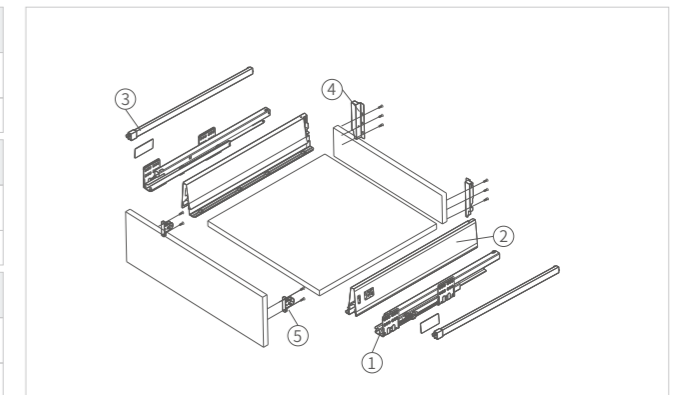
Contact (Industrial packaging)

1	Concealed full extension sync Slide L/R			
	Nominal length	Soft-closing slide	BL Push-open	Amount
	270	322270	323270	10SET
	300	322300	323300	10SET
	350	322350	323350	10SET
	400	322400	323400	10SET
	450	322450	323450	10SET
	500	322500	323500	10SET
	550	322550	323550	10SET

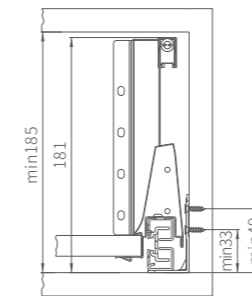
2	IN-BOX side panel L/R			
	Nominal length	Silk white L/R	Iron gray L/R	Amount
	270	321270W	321270G	20PCS
	300	321300W	321300G	20PCS
	350	321350W	321350G	20PCS
	400	321400W	321400G	20PCS
	450	321450W	321450G	20PCS
	500	321500W	321500G	20PCS
	550	321550W	321550G	20PCS

3	Square lever L/R			
	Nominal length	Silk white L/R	Iron gray L/R	Amount
	270	GF320270W	GF320270G	50SET
	300	GF320300W	GF320300G	50SET
	350	GF320350W	GF320350G	50SET
	400	GF320400W	GF320400G	50SET
	450	GF320450W	GF320450G	50SET
	500	GF320500W	GF320500G	50SET
	550	GF320550W	GF320550G	50SET

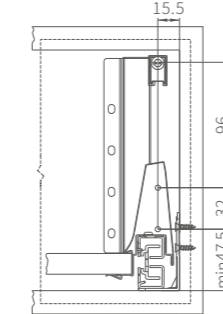
4		Rear Connector		
		Silk white L/R	Iron gray L/R	Amount
		3203151W	3203151G	100SET
5		Front Connector		
		Product Code	Amount	
5		Shop Quick-mounting Front Connector		
		Product Code	Amount	
		201001	100SET	
		201002	100SET	



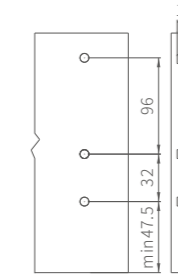
Space requirements of the inner cabinet installation



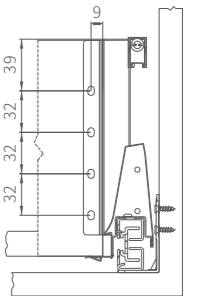
Front Connector panel mounting size



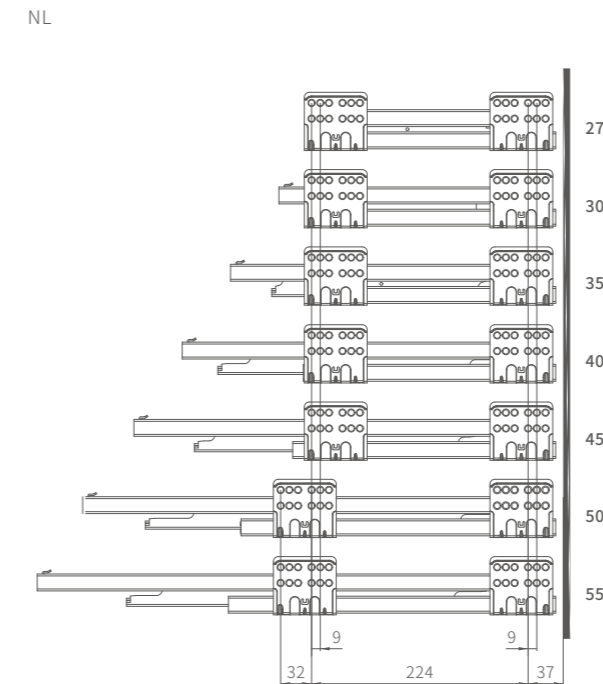
Panel hole size



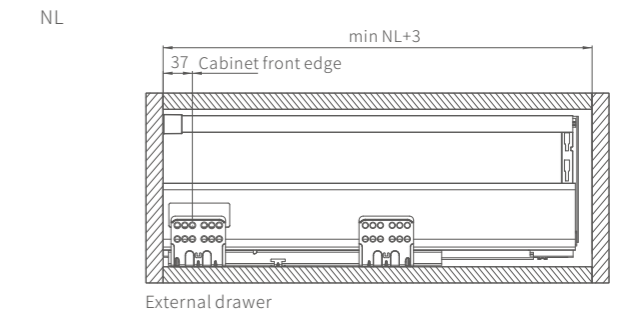
Back-panel mounting size



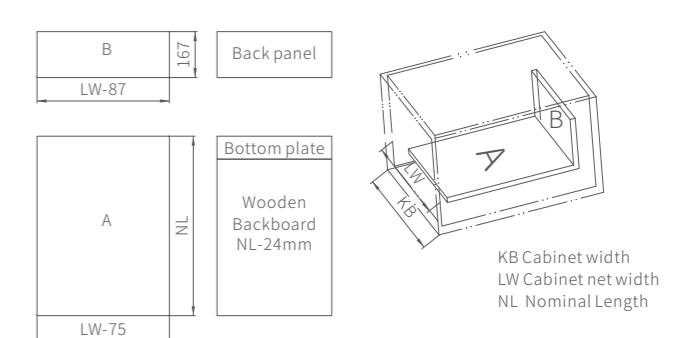
Cabinet slide mounting size



Slide mounting size



16mm (thickness) MDF cutting size



IN-BOX Variable Drawer System

Variety drawer series Gh3204

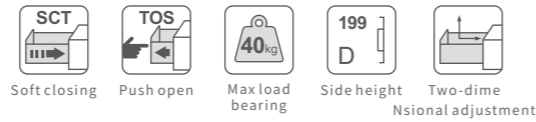
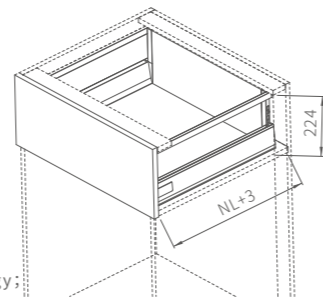
DRAWER SERIES



Describe

Concealed Full Extension;
Full extension synchronous suspension orbit technology;
40kg load-bearing capacity, long service life;
It can be adjusted in two dimensions on the drawer side;
Built-in SCT infinitely variable speed damping technology;
To ensure the slide has smooth and gentle movement;
Equipped with TOS push open technology;

Space required



Product information

Nominal Length	Variety damping drawer		Variety rebound drawer		Amount
	Silk White	Iron Gray	Silk White	Iron Gray	
270	GH3204-270W	GH3204-270G	GH3254-270W	GH3254-270G	6SET
300	GH3204-300W	GH3204-300G	GH3254-300W	GH3254-300G	6SET
350	GH3204-350W	GH3204-350G	GH3254-350W	GH3254-350G	6SET
400	GH3204-400W	GH3204-400G	GH3254-400W	GH3254-400G	6SET
450	GH3204-450W	GH3204-450G	GH3254-450W	GH3254-450G	6SET
500	GH3204-500W	GH3204-500G	GH3254-500W	GH3254-500G	6SET
550	GH3204-550W	GH3204-550G	GH3254-550W	GH3254-550G	6SET

Contact (Industrial packaging)

1	Concealed full extension sync Slide L/R			
	Nominal length	Soft-closing slide	BL Push-open	Amount
	270	322270	323270	10SET
	300	322300	323300	10SET
	350	322350	323350	10SET
	400	322400	323400	10SET
	450	322450	323450	10SET
	500	322500	323500	10SET
	550	322550	323550	10SET

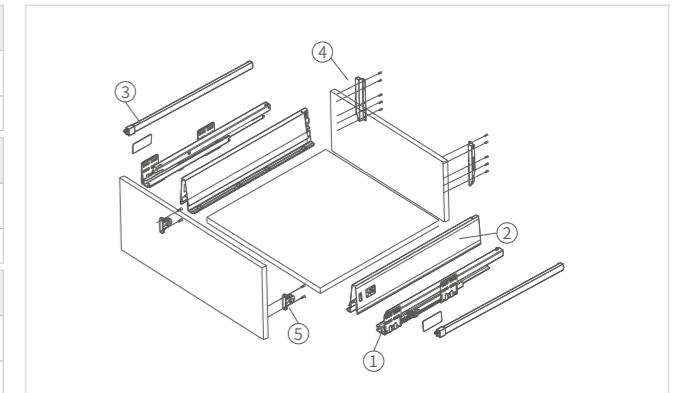
2	IN-BOX side panel L/R			
	Nominal length	Silk white L/R	Iron gray L/R	Amount
	270	321270W	321270G	20PCS
	300	321300W	321300G	20PCS
	350	321350W	321350G	20PCS
	400	321400W	321400G	20PCS
	450	321450W	321450G	20PCS
	500	321500W	321500G	20PCS
	550	321550W	321550G	20PCS

3	Square lever L/R			
	Nominal length	Silk white L/R	Iron gray L/R	Amount
	270	GF320270W	GF320270G	50SET
	300	GF320300W	GF320300G	50SET
	350	GF320350W	GF320350G	50SET
	400	GF320400W	GF320400G	50SET
	450	GF320450W	GF320450G	50SET
	500	GF320500W	GF320500G	50SET
	550	GF320550W	GF320550G	50SET

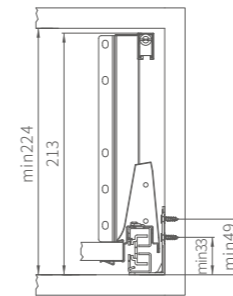
4	Rear Connector		
	Silk white L/R	Iron gray L/R	Amount
	3204183W	3204183G	100SET

5	Front Connector	
	Product Code	Amount
	201001	100SET

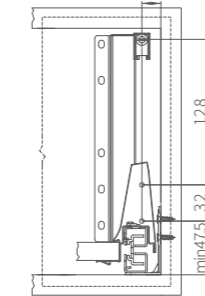
5	Shop Quick-mounting Front Connector	
	Product Code	Amount
	201002	100SET



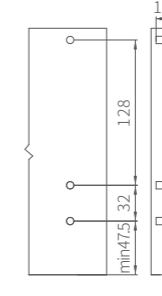
Space requirements of the inner cabinet installation



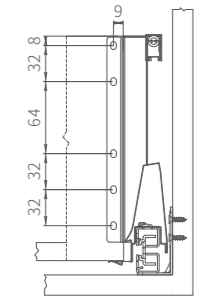
Front Connector panel mounting size



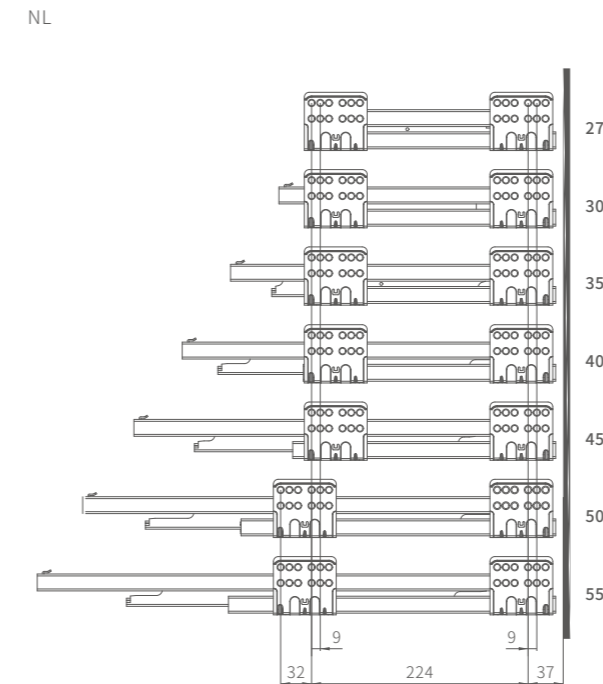
Panel hole size



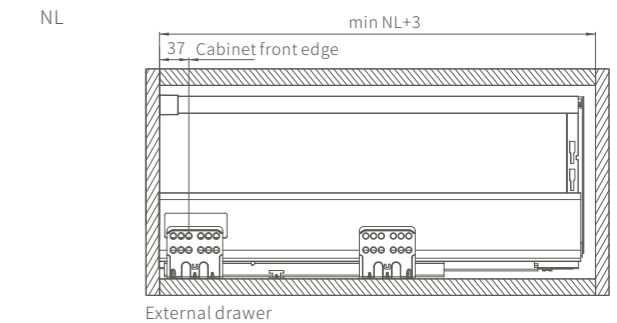
Back-panel mounting size



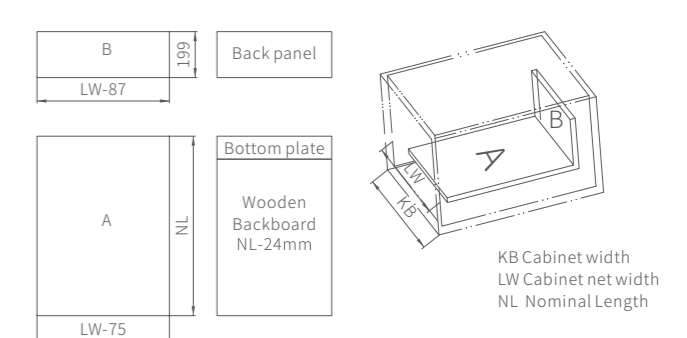
Cabinet slide mounting size



Slide mounting size



16mm (thickness) MDF cutting size



KB Cabinet width
LW Cabinet net width
NL Nominal Length

IN-BOX Variable Drawer System

Versatile drawer square bar series

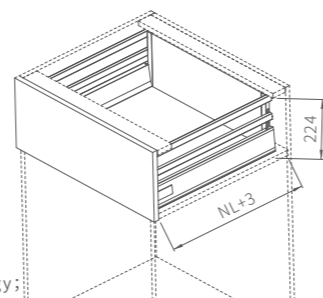
DRAWER SERIES



Describe

Concealed Full Extension;
Full extension synchronous suspension orbit technology;
40kg load-bearing capacity, long service life;
It can be adjusted in two dimensions on the drawer side;
Built-in SCT infinitely variable speed damping technology;
To ensure the slide has smooth and gentle movement;
Equipped with TOS push open technology;

Space required



Product information

Nominal Length	Variety damping drawer		Variety rebound drawer		Amount
	Silk White	Iron Gray	Silk White	Iron Gray	
270	GH3214-270W	GH3214-270G	GH3264-270W	GH3264-270G	6SET
300	GH3214-300W	GH3214-300G	GH3264-300W	GH3264-300G	6SET
350	GH3214-350W	GH3214-350G	GH3264-350W	GH3264-350G	6SET
400	GH3214-400W	GH3214-400G	GH3264-400W	GH3264-400G	6SET
450	GH3214-450W	GH3214-450G	GH3264-450W	GH3264-450G	6SET
500	GH3214-500W	GH3214-500G	GH3264-500W	GH3264-500G	6SET
550	GH3214-550W	GH3214-550G	GH3264-550W	GH3264-550G	6SET

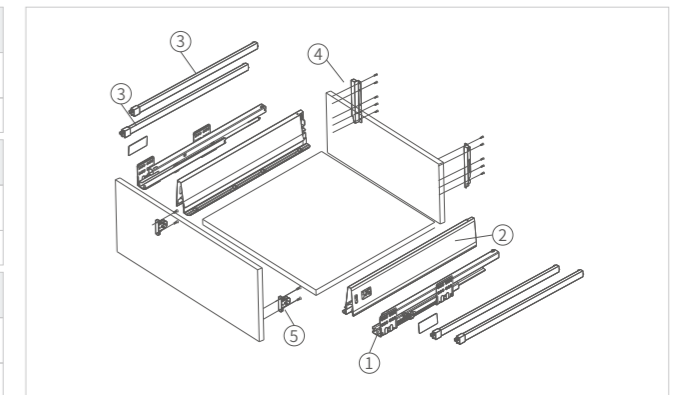
Contact (Industrial packaging)

1	Concealed full extension sync Slide L/R			
	Nominal length	Soft-closing slide	BL Push-open	Amount
	270	322270	323270	10SET
	300	322300	323300	10SET
	350	322350	323350	10SET
	400	322400	323400	10SET
	450	322450	323450	10SET
	500	322500	323500	10SET
	550	322550	323550	10SET

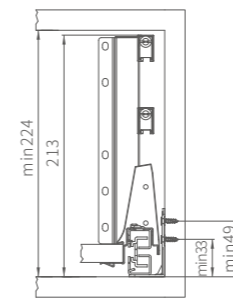
2	IN-BOX side panel L/R			
	Nominal length	Silk white L/R	Iron gray L/R	Amount
	270	321270W	321270G	20PCS
	300	321300W	321300G	20PCS
	350	321350W	321350G	20PCS
	400	321400W	321400G	20PCS
	450	321450W	321450G	20PCS
	500	321500W	321500G	20PCS
	550	321550W	321550G	20PCS

3	Square lever L/R			
	Nominal length	Silk white L/R	Iron gray L/R	Amount
	270	GF320270W	GF320270G	10SET
	300	GF320300W	GF320300G	10SET
	350	GF320350W	GF320350G	10SET
	400	GF320400W	GF320400G	10SET
	450	GF320450W	GF320450G	10SET
	500	GF320500W	GF320500G	10SET
	550	GF320550W	GF320550G	10SET

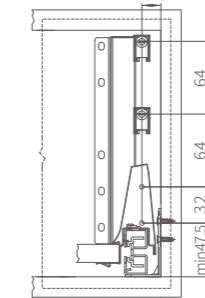
4		Rear Connector		
		Silk white L/R	Iron gray L/R	Amount
		3204183W	3204183G	100SET
5		Front Connector		
		Product Code	Amount	
		201001	100SET	
5		Shop Quick-mounting Front Connector		
		Product Code	Amount	
		201002	100SET	



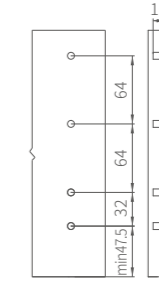
Space requirements of the inner cabinet installation



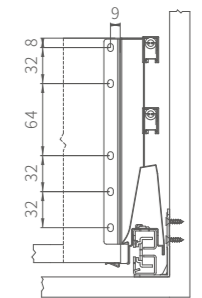
Front Connector panel mounting size



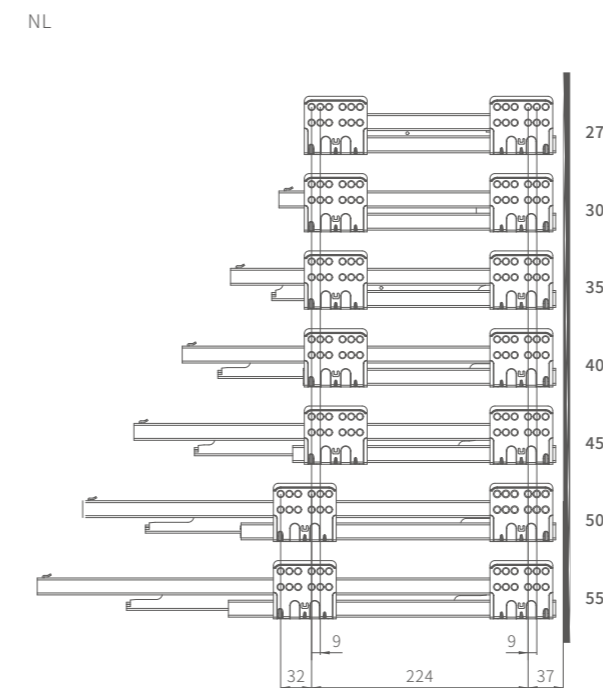
Panel hole size



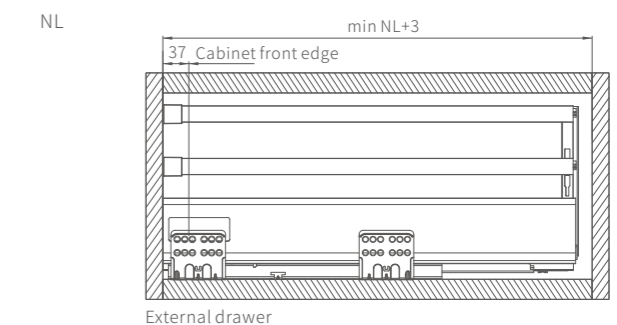
Back-panel mounting size



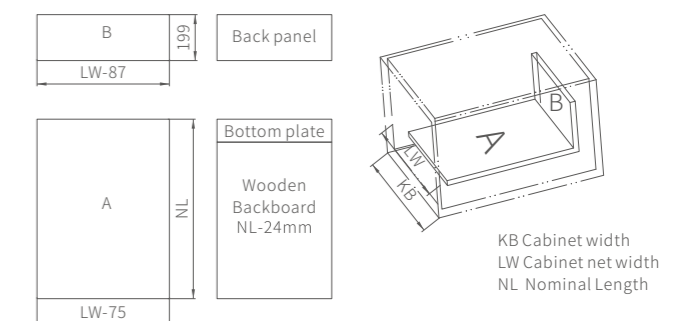
Cabinet slide mounting size



Slide mounting size



16mm (thickness) MDF cutting size



KB Cabinet width
LW Cabinet net width
NL Nominal Length

IN-BOX Variable Drawer System

Versatile drawer round bar series

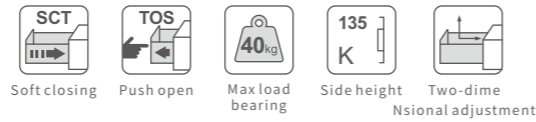
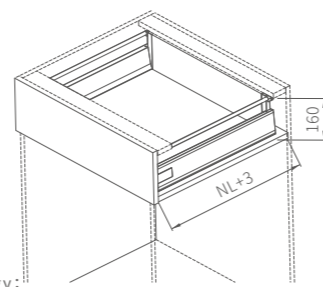
DRAWER SERIES



Describe

Concealed Full Extension;
Full extension synchronous suspension orbit technology;
40kg load-bearing capacity, long service life;
It can be adjusted in two dimensions on the drawer side;
Built-in SCT infinitely variable speed damping technology;
To ensure the slide has smooth and gentle movement;
Equipped with TOS push open technology;

Space required



Product information

Nominal Length	Variety damping drawer		Variety rebound drawer		Amount
	Silk White	Iron Gray	Silk White	Iron Gray	
270	GH3222-270W	GH3222-270G	GH3272-270W	GH3274-270G	6SET
300	GH3222-300W	GH3222-300G	GH3272-300W	GH3274-300G	6SET
350	GH3222-350W	GH3222-350G	GH3272-350W	GH3274-350G	6SET
400	GH3222-400W	GH3222-400G	GH3272-400W	GH3274-400G	6SET
450	GH3222-450W	GH3222-450G	GH3272-450W	GH3274-450G	6SET
500	GH3222-500W	GH3222-500G	GH3272-500W	GH3274-500G	6SET
550	GH3222-550W	GH3222-550G	GH3272-550W	GH3274-550G	6SET

Contact(Industrial packaging)

1	Concealed full extension sync Slide L/R			
	Nominal length	Soft-closing slide	BL Push-open	Amount
	270	322270	323270	10SET
	300	322300	323300	10SET
	350	322350	323350	10SET
	400	322400	323400	10SET
	450	322450	323450	10SET
	500	322500	323500	10SET
	550	322550	323550	10SET

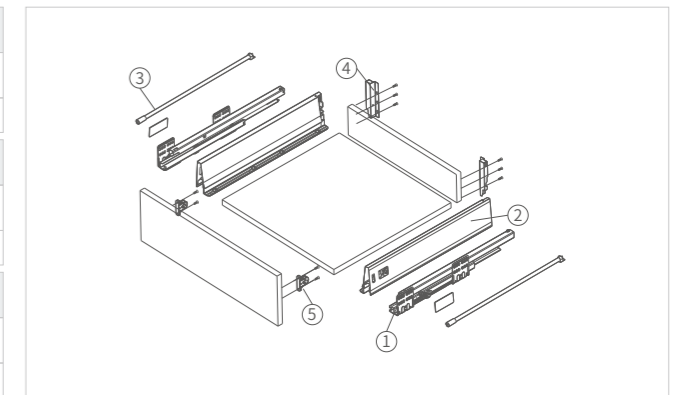
2	IN-BOX side panel L/R			
	Nominal length	Silk white L/R	Iron gray L/R	Amount
	270	321270W	321270G	20PCS
	300	321300W	321300G	20PCS
	350	321350W	321350G	20PCS
	400	321400W	321400G	20PCS
	450	321450W	321450G	20PCS
	500	321500W	321500G	20PCS
	550	321550W	321550G	20PCS

3	Round tie rod L/R			
	Nominal length	Silk white L/R	Iron gray L/R	Amount
	270	GY320270W	GY320270G	50SET
	300	GY320300W	GY320300G	50SET
	350	GY320350W	GY320350G	50SET
	400	GY320400W	GY320400G	50SET
	450	GY320450W	GY320450G	50SET
	500	GY320500W	GY320500G	50SET
	550	GY320550W	GY320550G	50SET

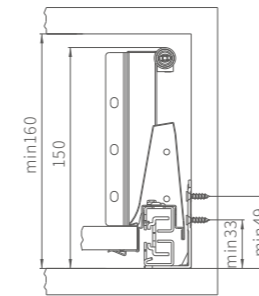
4	Rear Connector		
	Silk white L/R	Iron gray L/R	Amount
	3203151W	3203151G	100SET

5	Front Connector	
	Product Code	Amount
	201001	100SET

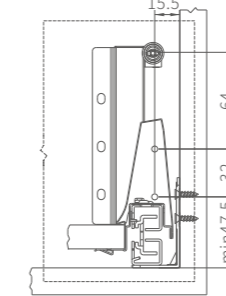
5	Shop Quick-mounting Front Connector	
	Product Code	Amount
	201002	100SET



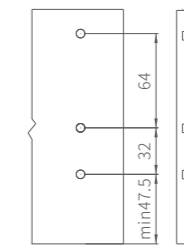
Space requirements of the inner cabinet installation



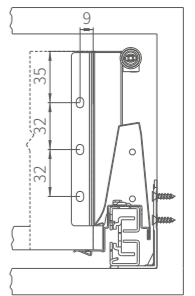
Front Connector panel mounting size



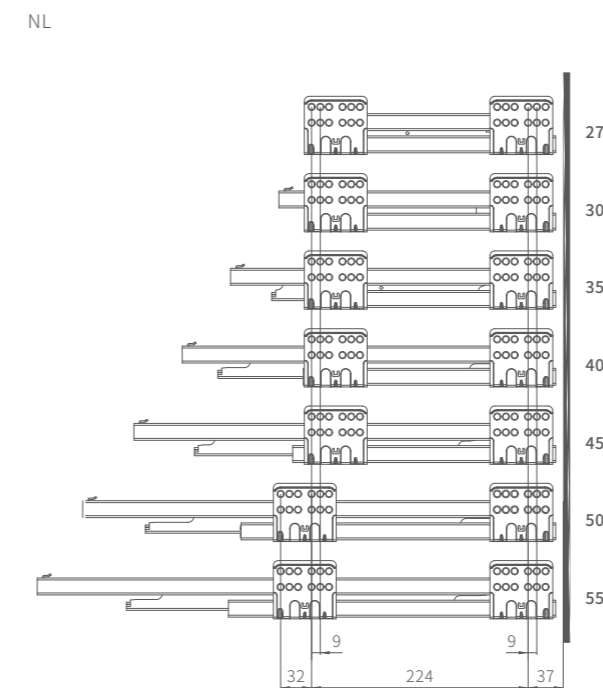
Panel hole size



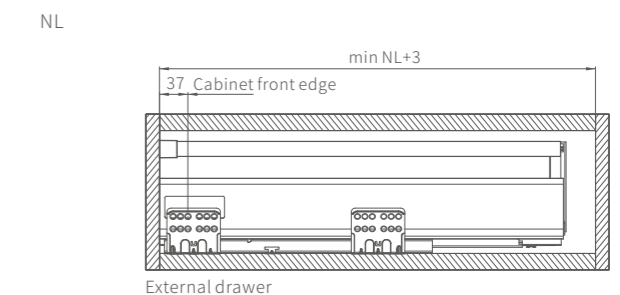
Back-panel mounting size



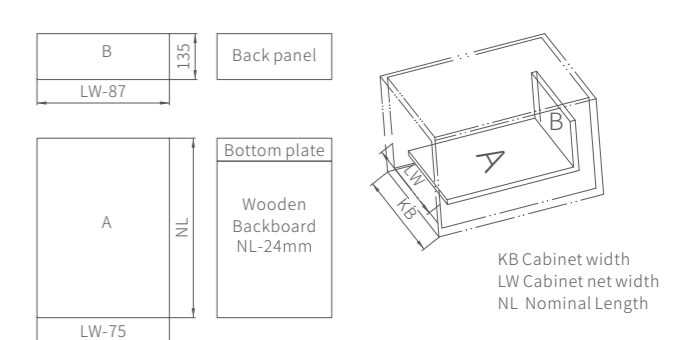
Cabinet slide mounting size



Slide mounting size



16mm (thickness) MDF cutting size



IN-BOX Variable Drawer System

Versatile drawer round bar series

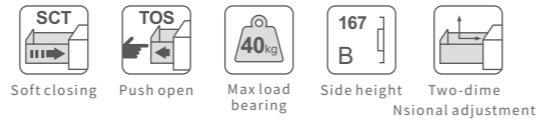
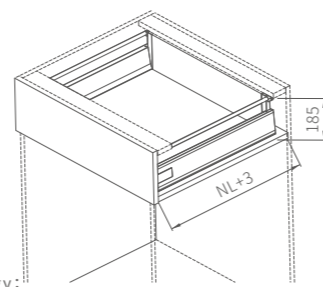
DRAWER SERIES



Describe

Concealed Full Extension;
Full extension synchronous suspension orbit technology;
40kg load-bearing capacity, long service life;
It can be adjusted in two dimensions on the drawer side;
Built-in SCT infinitely variable speed damping technology;
To ensure the slide has smooth and gentle movement;
Equipped with TOS push open technology;

Space required



Product information

Nominal Length	Variety damping drawer		Variety rebound drawer		Amount
	Silk White	Iron Gray	Silk White	Iron Gray	
270	GH3223-270W	GH3223-270G	GH3273-270W	GH3273-270G	6SET
300	GH3223-300W	GH3223-300G	GH3273-300W	GH3273-300G	6SET
350	GH3223-350W	GH3223-350G	GH3273-350W	GH3273-350G	6SET
400	GH3223-400W	GH3223-400G	GH3273-400W	GH3273-400G	6SET
450	GH3223-450W	GH3223-450G	GH3273-450W	GH3273-450G	6SET
500	GH3223-500W	GH3223-500G	GH3273-500W	GH3273-500G	6SET
550	GH3223-550W	GH3223-550G	GH3273-550W	GH3273-550G	6SET

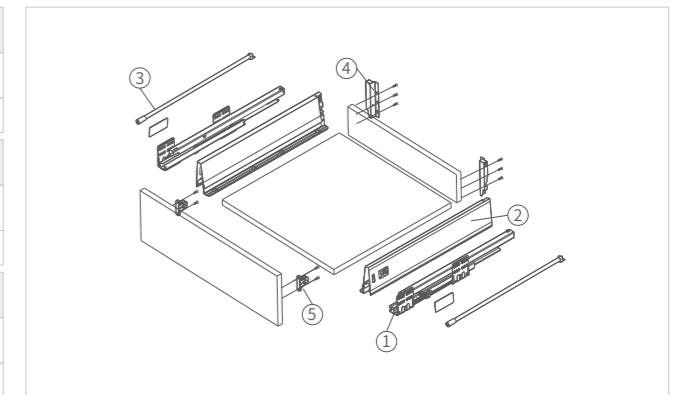
Contact (Industrial packaging)

1	Concealed full extension sync Slide L/R			
	Nominal length	Soft-closing slide	BL Push-open	Amount
	270	322270	323270	10SET
	300	322300	323300	10SET
	350	322350	323350	10SET
	400	322400	323400	10SET
	450	322450	323450	10SET
	500	322500	323500	10SET
	550	322550	323550	10SET

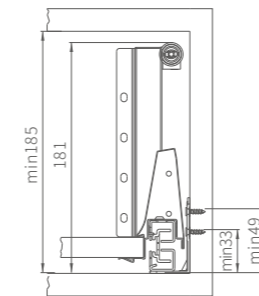
2	IN-BOX side panel L/R			
	Nominal length	Silk white L/R	Iron gray L/R	Amount
	270	321270W	321270G	20PCS
	300	321300W	321300G	20PCS
	350	321350W	321350G	20PCS
	400	321400W	321400G	20PCS
	450	321450W	321450G	20PCS
	500	321500W	321500G	20PCS
	550	321550W	321550G	20PCS

3	Round tie rod L/R			
	Nominal length	Silk white L/R	Iron gray L/R	Amount
	270	GY320270W	GY320270G	50SET
	300	GY320300W	GY320300G	50SET
	350	GY320350W	GY320350G	50SET
	400	GY320400W	GY320400G	50SET
	450	GY320450W	GY320450G	50SET
	500	GY320500W	GY320500G	50SET
	550	GY320550W	GY320550G	50SET

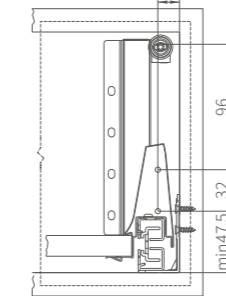
4		Rear Connector		
		Silk white L/R	Iron gray L/R	Amount
		3203151W	3203151G	100SET
5		Front Connector		
		Product Code	Amount	
		201001	100SET	
5		Shop Quick-mounting Front Connector		
		Product Code	Amount	
		201002	100SET	



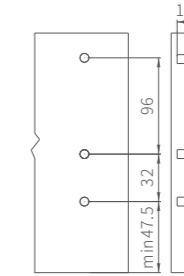
Space requirements of the inner cabinet installation



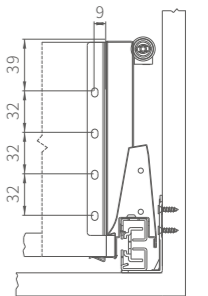
Front Connector panel mounting size



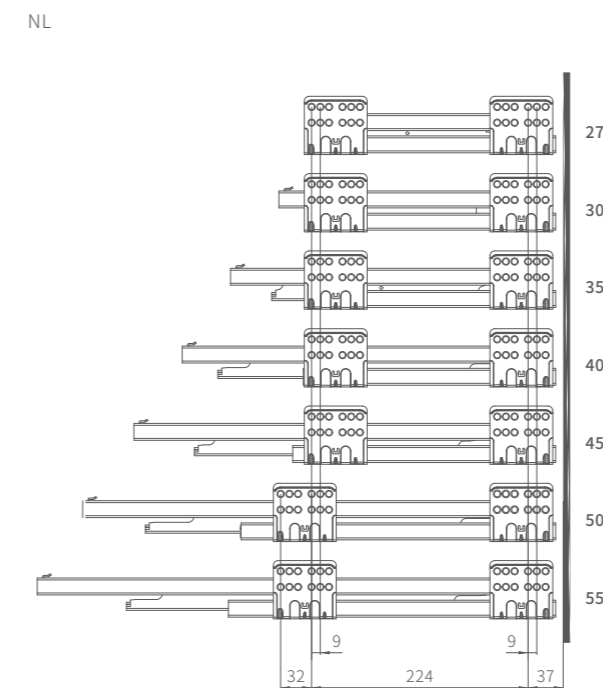
Panel hole size



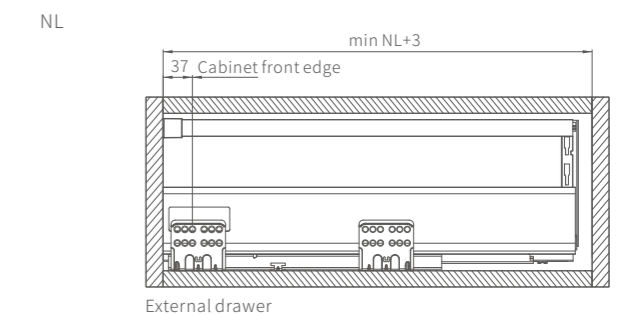
Back-panel mounting size



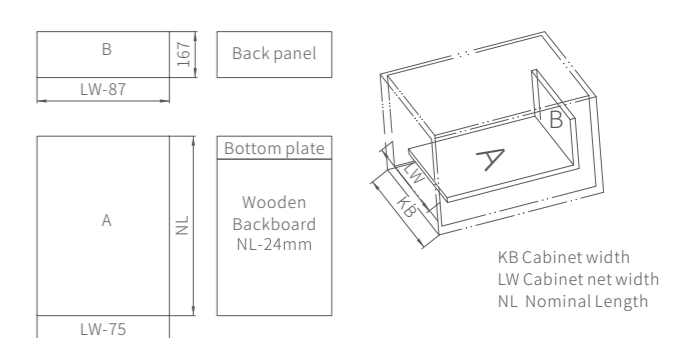
Cabinet slide mounting size



Slide mounting size



16mm (thickness) MDF cutting size



IN-BOX Variable Drawer System

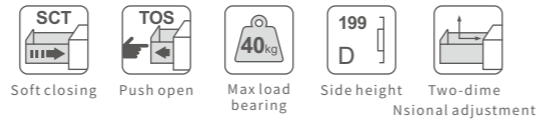
Versatile drawer round bar series

DRAWER SERIES

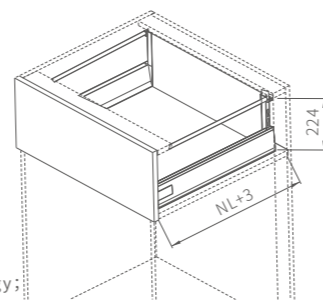


Describe

Concealed Full Extension;
Full extension synchronous suspension orbit technology;
40kg load-bearing capacity, long service life;
It can be adjusted in two dimensions on the drawer side;
Built-in SCT infinitely variable speed damping technology;
To ensure the slide has smooth and gentle movement;
Equipped with TOS push open technology;



Space required



Product information

Nominal Length	Variety damping drawer		Variety rebound drawer		Amount
	Silk White	Iron Gray	Silk White	Iron Gray	
270	GH3224-270W	GH3224-270G	GH3274-270W	GH3274-270G	6SET
300	GH3224-300W	GH3224-300G	GH3274-300W	GH3274-300G	6SET
350	GH3224-350W	GH3224-350G	GH3274-350W	GH3274-350G	6SET
400	GH3224-400W	GH3224-400G	GH3274-400W	GH3274-400G	6SET
450	GH3224-450W	GH3224-450G	GH3274-450W	GH3274-450G	6SET
500	GH3224-500W	GH3224-500G	GH3274-500W	GH3274-500G	6SET
550	GH3224-550W	GH3224-550G	GH3274-550W	GH3274-550G	6SET

Contact (Industrial packaging)

1	Concealed full extension sync Slide L/R			
	Nominal length	Soft-closing slide	BL Push-open	Amount
	270	322270	323270	10SET
	300	322300	323300	10SET
	350	322350	323350	10SET
	400	322400	323400	10SET
	450	322450	323450	10SET
	500	322500	323500	10SET
	550	322550	323550	10SET

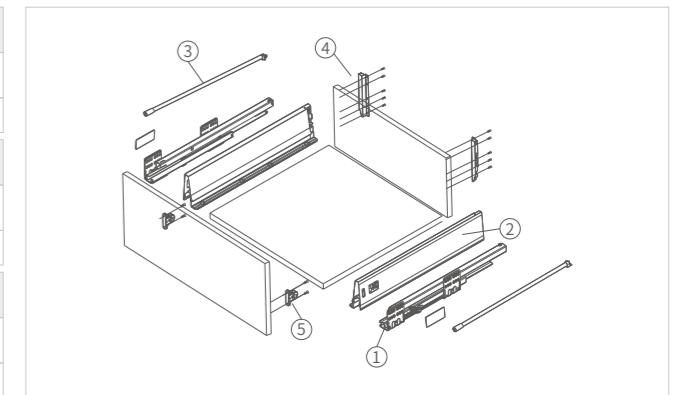
2	IN-BOX side panel L/R			
	Nominal length	Silk white L/R	Iron gray L/R	Amount
	270	321270W	321270G	20PCS
	300	321300W	321300G	20PCS
	350	321350W	321350G	20PCS
	400	321400W	321400G	20PCS
	450	321450W	321450G	20PCS
	500	321500W	321500G	20PCS
	550	321550W	321550G	20PCS

3	Round tie rod L/R			
	Nominal length	Silk white L/R	Iron gray L/R	Amount
	270	GY320270W	GY320270G	50SET
	300	GY320300W	GY320300G	50SET
	350	GY320350W	GY320350G	50SET
	400	GY320400W	GY320400G	50SET
	450	GY320450W	GY320450G	50SET
	500	GY320500W	GY320500G	50SET
	550	GY320550W	GY320550G	50SET

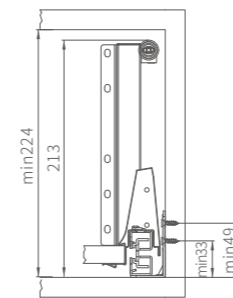
4	Rear Connector		
	Silk white L/R	Iron gray L/R	Amount
	3204183W	3204183G	100SET

5	Front Connector	
	Product Code	Amount
	201001	100SET

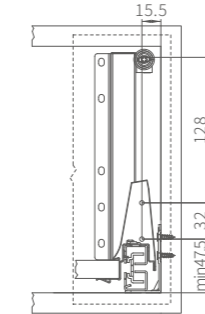
5	Shop Quick-mounting Front Connector	
	Product Code	Amount
	201002	100SET



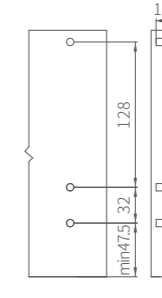
Space requirements of the inner cabinet installation



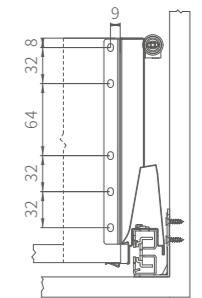
Front Connector panel mounting size



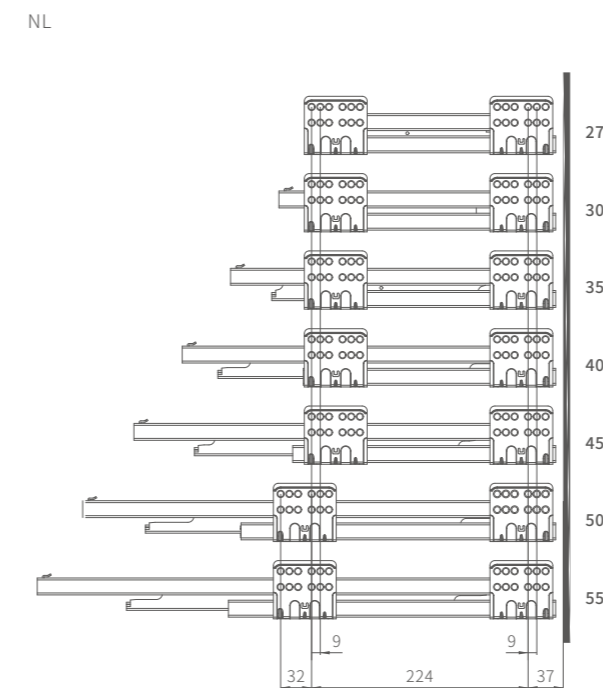
Panel hole size



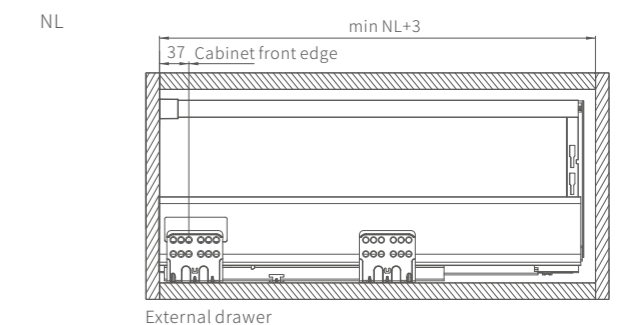
Back-panel mounting size



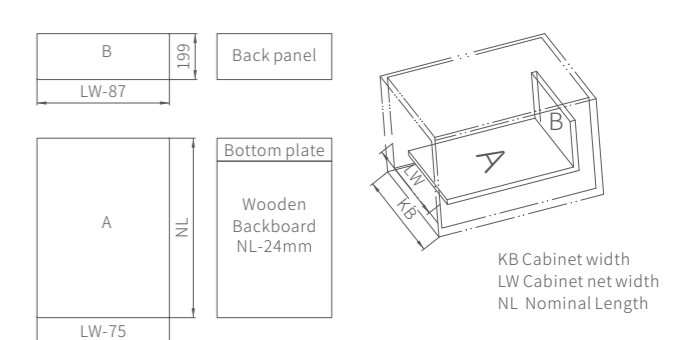
Cabinet slide mounting size



Slide mounting size



16mm (thickness) MDF cutting size



IN-BOX Versatile luxury drawer series

Versatile drawer round bar series

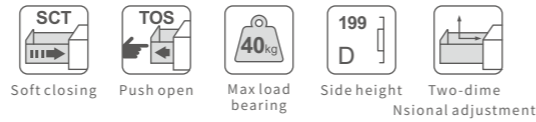
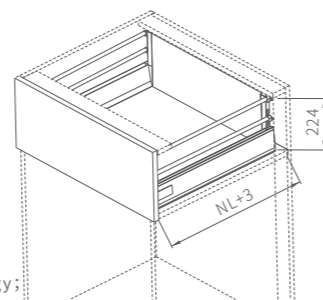
DRAWER SERIES



Describe

Concealed Full Extension;
Full extension synchronous suspension orbit technology;
40kg load-bearing capacity, long service life;
It can be adjusted in two dimensions on the drawer side;
Built-in SCT infinitely variable speed damping technology;
To ensure the slide has smooth and gentle movement;
Equipped with TOS push open technology;

Space required



Product information

Nominal Length	Variety damping drawer		Variety rebound drawer		Amount
	Silk White	Iron Gray	Silk White	Iron Gray	
270	GH3234-270W	GH3234-270G	GH3284-270W	GH3284-270G	6SET
300	GH3234-300W	GH3234-300G	GH3284-300W	GH3284-300G	6SET
350	GH3234-350W	GH3234-350G	GH3284-350W	GH3284-350G	6SET
400	GH3234-400W	GH3234-400G	GH3284-400W	GH3284-400G	6SET
450	GH3234-450W	GH3234-450G	GH3284-450W	GH3284-450G	6SET
500	GH3234-500W	GH3234-500G	GH3284-500W	GH3284-500G	6SET
550	GH3234-550W	GH3234-550G	GH3284-550W	GH3284-550G	6SET

Contact (Industrial packaging)

1	Concealed full extension sync Slide L/R			
	Nominal length	Soft-closing slide	BL Push-open	Amount
	270	322270	323270	10SET
	300	322300	323300	10SET
	350	322350	323350	10SET
	400	322400	323400	10SET
	450	322450	323450	10SET
	500	322500	323500	10SET
	550	322550	323550	10SET

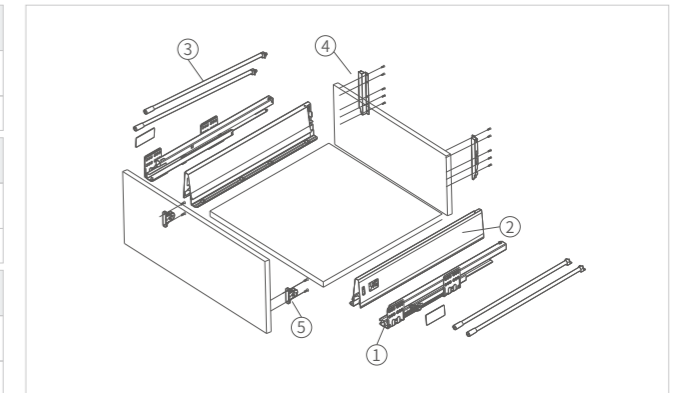
2	IN-BOX side panel L/R			
	Nominal length	Silk white L/R	Iron gray L/R	Amount
	270	321270W	321270G	20PCS
	300	321300W	321300G	20PCS
	350	321350W	321350G	20PCS
	400	321400W	321400G	20PCS
	450	321450W	321450G	20PCS
	500	321500W	321500G	20PCS
	550	321550W	321550G	20PCS

3	Round tie rod L/R			
	Nominal length	Silk white L/R	Iron gray L/R	Amount
	270	GY320270W	GY320270G	50SET
	300	GY320300W	GY320300G	50SET
	350	GY320350W	GY320350G	50SET
	400	GY320400W	GY320400G	50SET
	450	GY320450W	GY320450G	50SET
	500	GY320500W	GY320500G	50SET
	550	GY320550W	GY320550G	50SET

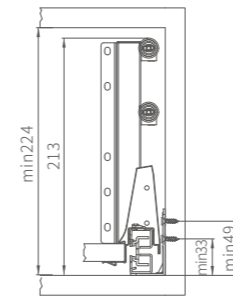
4	Rear Connector		
	Silk white L/R	Iron gray L/R	Amount
	3204183W	3204183G	100SET

5	Front Connector	
	Product Code	Amount
	201001	100SET

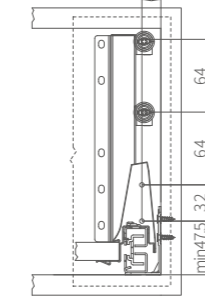
5	Shop Quick-mounting Front Connector	
	Product Code	Amount
	201002	100SET



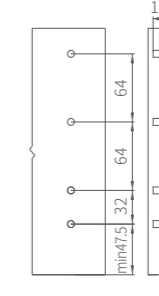
Space requirements of the inner cabinet installation



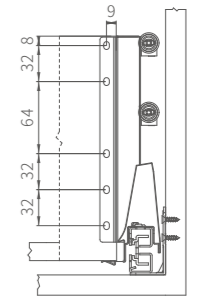
Front Connector panel mounting size



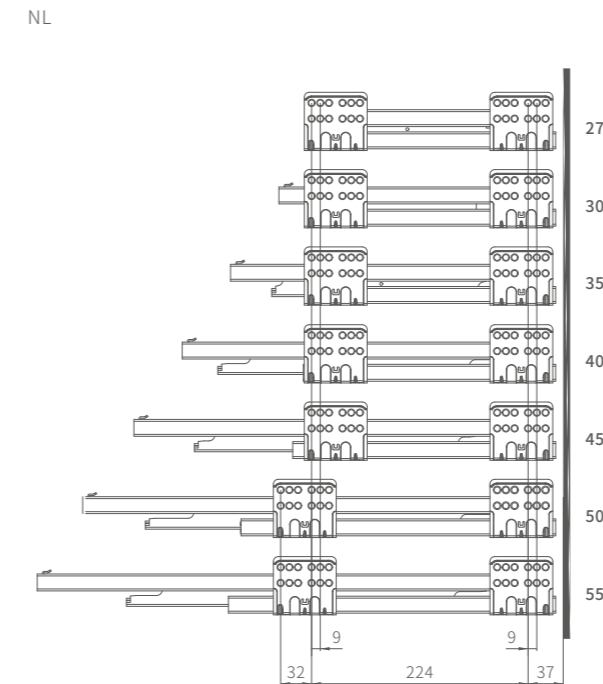
Panel hole size



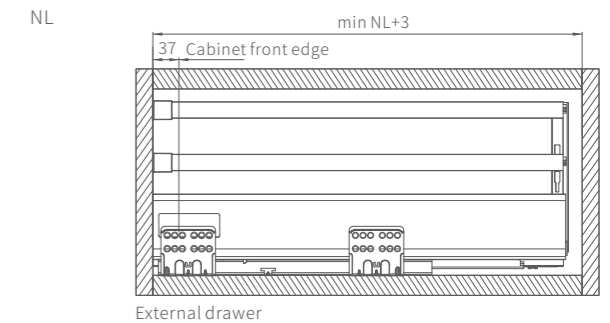
Back-panel mounting size



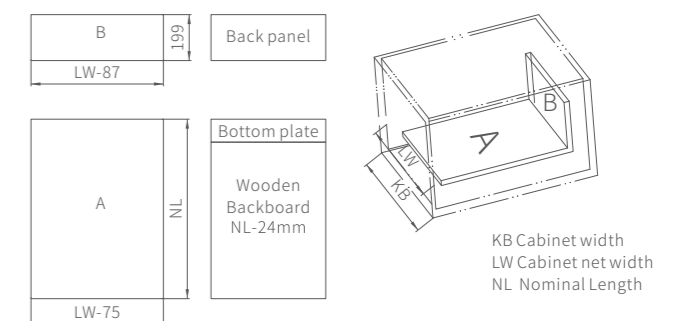
Cabinet slide mounting size



Slide mounting size



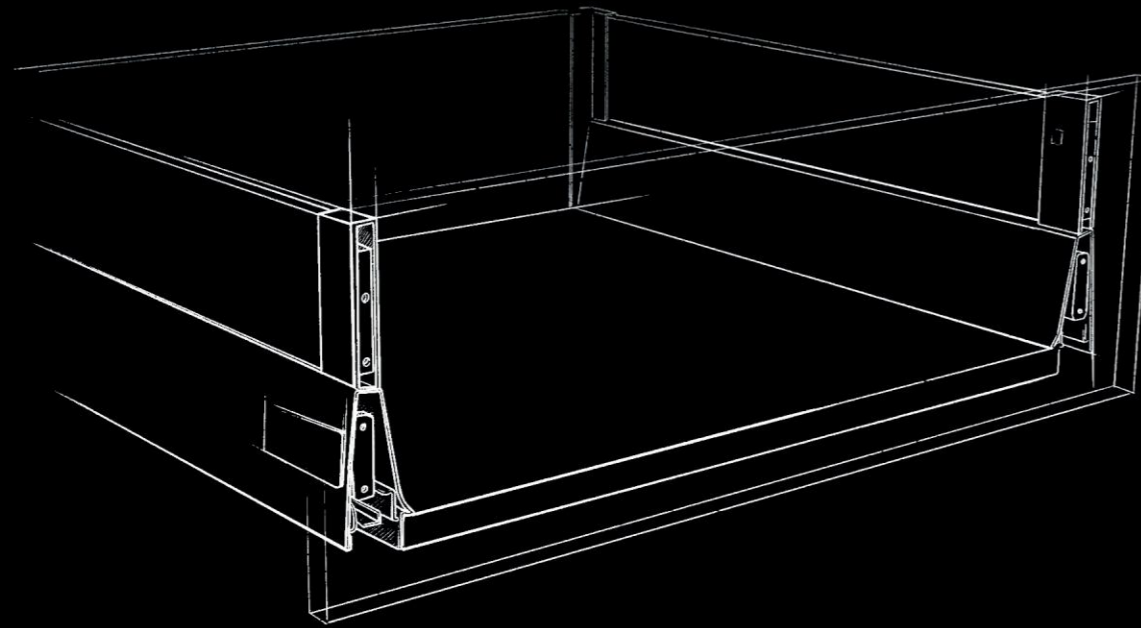
16mm (thickness) MDF cutting size



KB Cabinet width
LW Cabinet net width
NL Nominal Length

IN-BOX

Versatile glass drawer series



**Clean as
new**

Durable and clean, have extremely comfortable touching.



IN-BOX Versatile glass drawer series

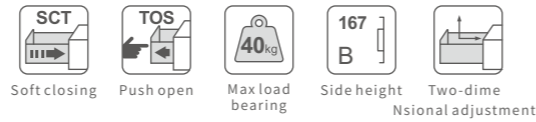
Versatile glass drawer series Gh3243

DRAWER SERIES

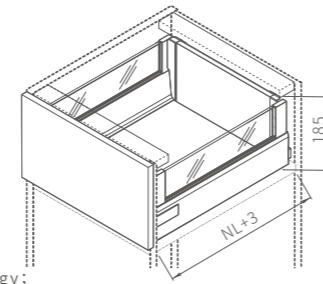


Describe

Concealed Full Extension;
Full extension synchronous suspension orbit technology;
40kg load-bearing capacity, long service life;
It can be adjusted in two dimensions on the drawer side;
Built-in SCT infinitely variable speed damping technology;
To ensure the slide has smooth and gentle movement;
Equipped with TOS push open technology;



Space required



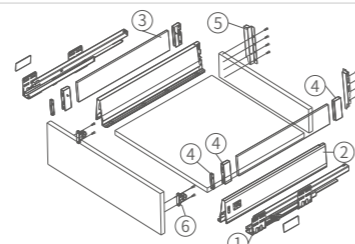
NL

Product information

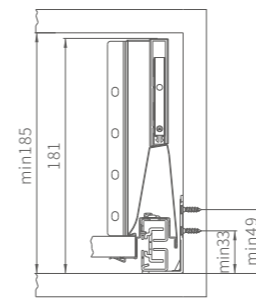
Nominal Length	Variety damping drawer		Variety rebound drawer		Amount
	Silk White	Iron Gray	Silk White	Iron Gray	
350	GH3243-350W	GH3243-350G	GH3293-350W	GH3293-350G	4SET
400	GH3243-400W	GH3243-400G	GH3293-400W	GH3293-400G	4SET
450	GH3243-450W	GH3243-450G	GH3293-450W	GH3293-450G	4SET
500	GH3243-500W	GH3243-500G	GH3293-500W	GH3293-500G	4SET
550	GH3243-550W	GH3243-550G	GH3293-550W	GH3293-550G	4SET

Contact(Industrial packaging)

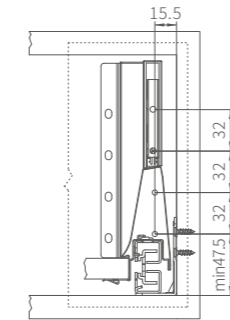
1	Concealed full extension sync Slide L/R			
	Nominal length	Soft-closing slide	BL Push-open	Amount
	350	322350	323350	10SET
	400	322400	323400	10SET
	450	322450	323450	10SET
	500	322500	323500	10SET
550	322550	323550	10SET	
2	IN-BOX side panel L/R			
	Nominal length	Silk white L/R	Iron gray L/R	Amount
	350	321350W	321350G	20PCS
	400	321400W	321400G	20PCS
	450	321450W	321450G	20PCS
	500	321500W	321500G	20PCS
550	321550W	321550G	20PCS	
3	8mm Glass side panel L/R			
	Nominal length	Scrub	Amount	
	350	GB1518350W	10SET	
	400	GB1518400W	10SET	
	450	GB1518450W	10SET	
500	GB1518500W	10SET		
550	GB1518550W	10SET		
4	Glass card code L/R			
	Silk white L/R	Iron gray L/R	Amount	
	GB1518W	GB1518G	50SET	
5	Rear Connector L/R			
	Silk white L/R	Iron gray L/R	Amount	
	3203151W	3203151G	50SET	
6	Front Connector			
	Product Code	Amount		
201001	100SET			
6 Shop	Quick-mounting Front Connector			
	Product Code	Amount		
201002	100SET			



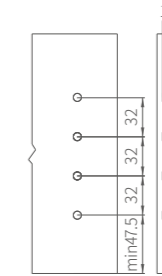
Space requirements of the inner cabinet installation



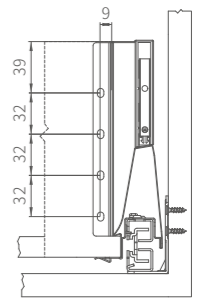
Front Connector panel mounting size



Panel hole size

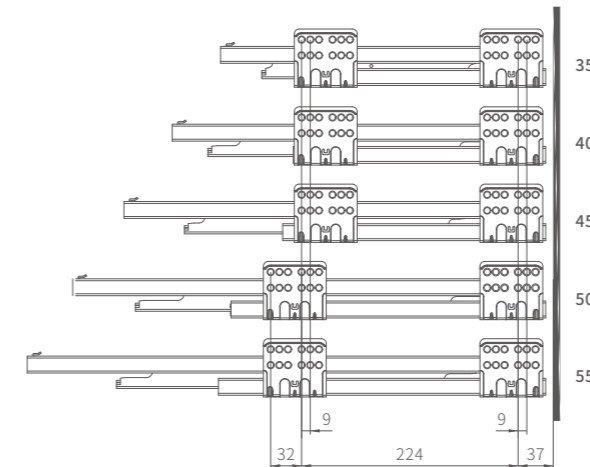


Back-panel mounting size



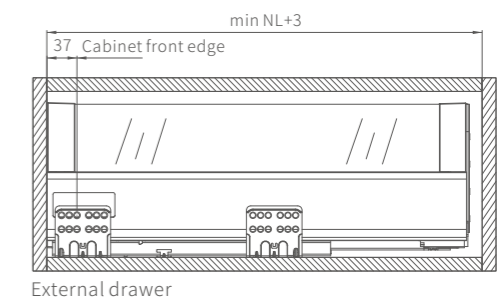
Cabinet slide mounting size

NL

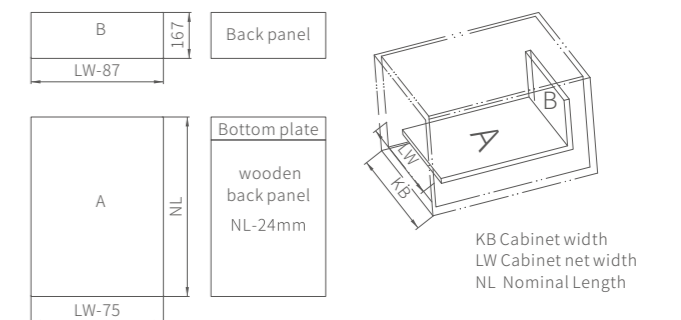


Slide mounting size

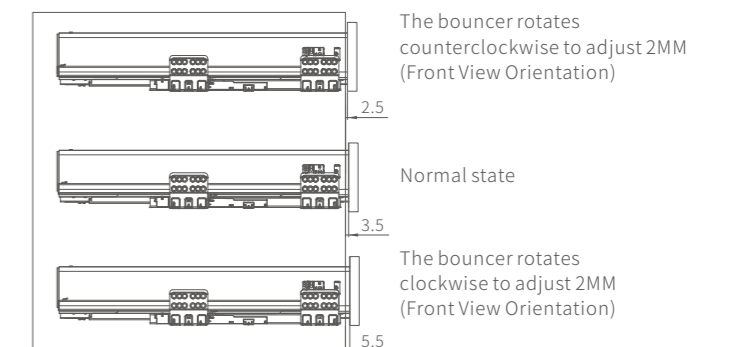
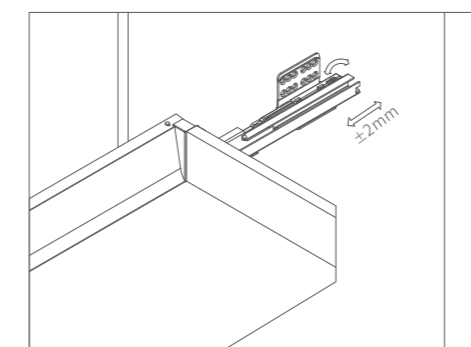
NL



16mm (thickness) MDF cutting size



Push open adjustment



IN-BOX Versatile glass drawer series

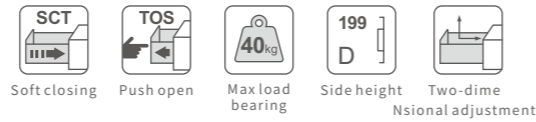
Versatile glass drawer series Gh3244

DRAWER SERIES

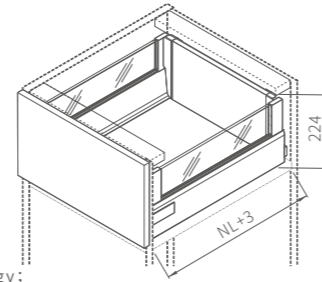


Describe

Concealed Full Extension;
Full extension synchronous suspension orbit technology;
40kg load-bearing capacity, long service life;
It can be adjusted in two dimensions on the drawer side;
Built-in SCT infinitely variable speed damping technology;
To ensure the slide has smooth and gentle movement;
Equipped with TOS push open technology;



Space required



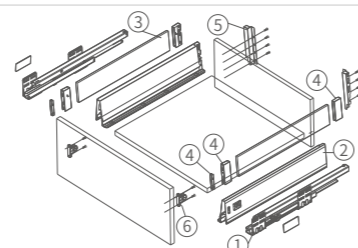
NL

Product information

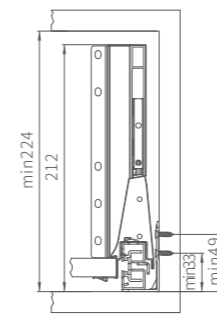
Nominal Length	Variety damping drawer		Variety rebound drawer		Amount
	Silk White	Iron Gray	Silk White	Iron Gray	
350	GH3244-350W	GH3244-350G	GH3294-350W	GH3294-350G	4SET
400	GH3244-400W	GH3244-400G	GH3294-400W	GH3294-400G	4SET
450	GH3244-450W	GH3244-450G	GH3294-450W	GH3294-450G	4SET
500	GH3244-500W	GH3244-500G	GH3294-500W	GH3294-500G	4SET
550	GH3244-550W	GH3244-550G	GH3294-550W	GH3294-550G	4SET

Contact(Industrial packaging)

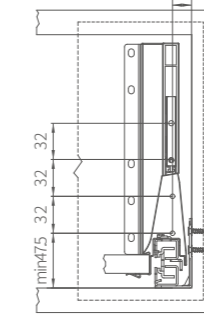
1	Concealed full extension sync Slide L/R			
	Nominal length	Soft-closing slide	BL Push-open	Amount
	350	322350	323350	10SET
	400	322400	323400	10SET
	450	322450	323450	10SET
	500	322500	323500	10SET
2	IN-BOX side panel L/R			
	Nominal length	Silk white L/R	Iron gray L/R	Amount
	350	321350W	321350G	20PCS
	400	321400W	321400G	20PCS
	450	321450W	321450G	20PCS
	500	321500W	321500G	20PCS
3	8mm Glass side panel L/R			
	Nominal length	Scrub	Amount	
	350	GB1518350W	10SET	
	400	GB1518400W	10SET	
	450	GB1518450W	10SET	
	500	GB1518500W	10SET	
4	Glass card code L/R			
	Silk white L/R	Iron gray L/R	Amount	
	GB1838W	GB1838G	50SET	
5	Rear Connector L/R			
	Silk white L/R	Iron gray L/R	Amount	
	3204183W	3204183G	50SET	
6	Front Connector			
	Product Code	Amount		
6	Quick-mounting Front Connector			
	Product Code	Amount		



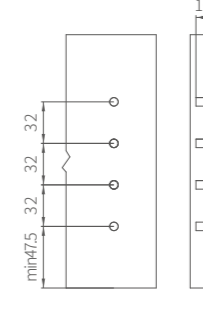
Space requirements of the inner cabinet installation



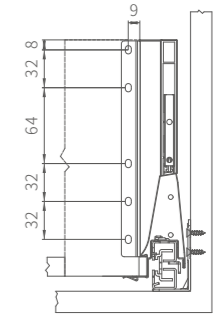
Front Connector panel mounting size



Panel hole size

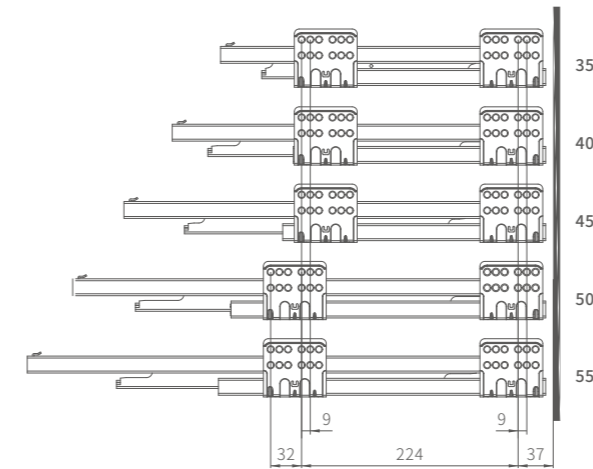


Back-panel mounting size



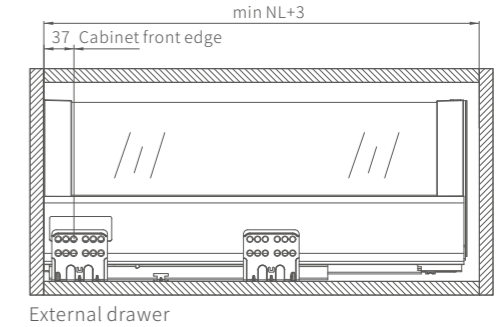
Cabinet slide mounting size

NL

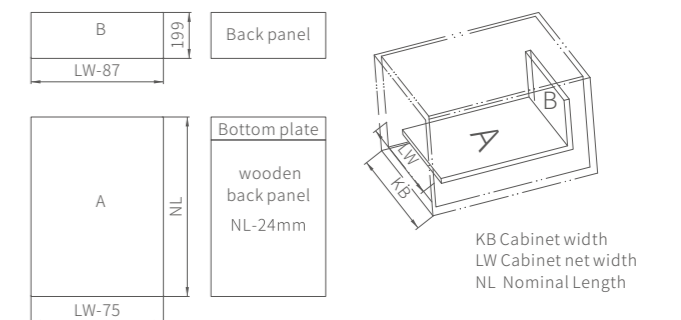


Slide mounting size

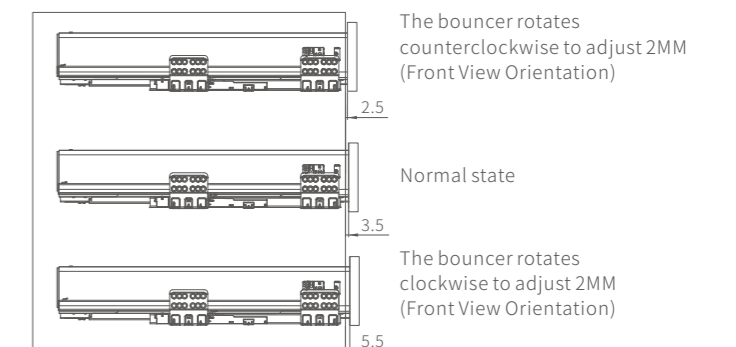
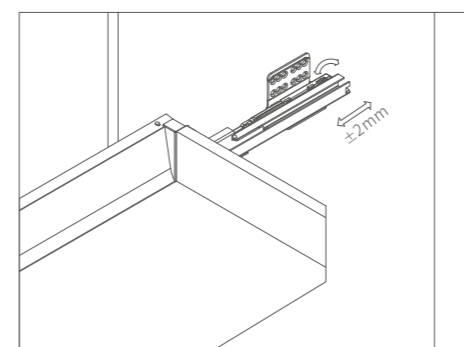
NL



16mm (thickness) MDF cutting size

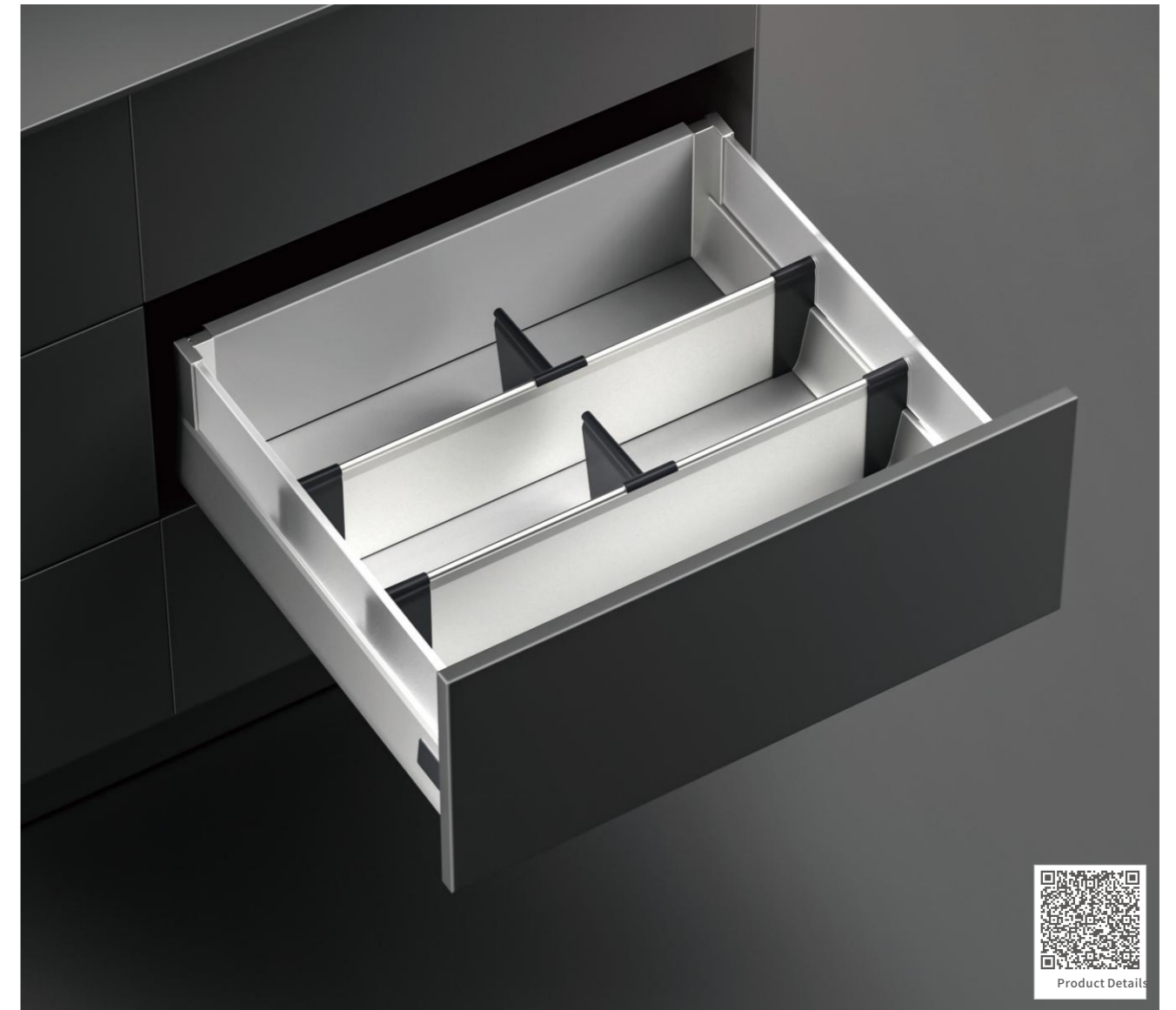


Push open adjustment

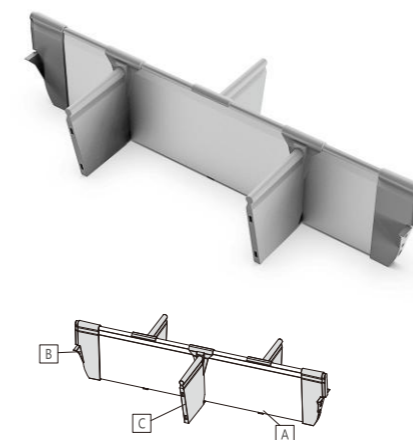


IN-BOX

Versatile range of dividers



Inner divider



Nominal length	Silk white	Iron gray	Amount
	600mm	GH320600W	
800mm	GH320800W	GH320800G	20SET
900mm	GH320900W	GH320900G	20SET
1000mm	GH321000W	GH321000G	20SET
1200mm	GH321200W	GH321200G	20SET

Divider connectors

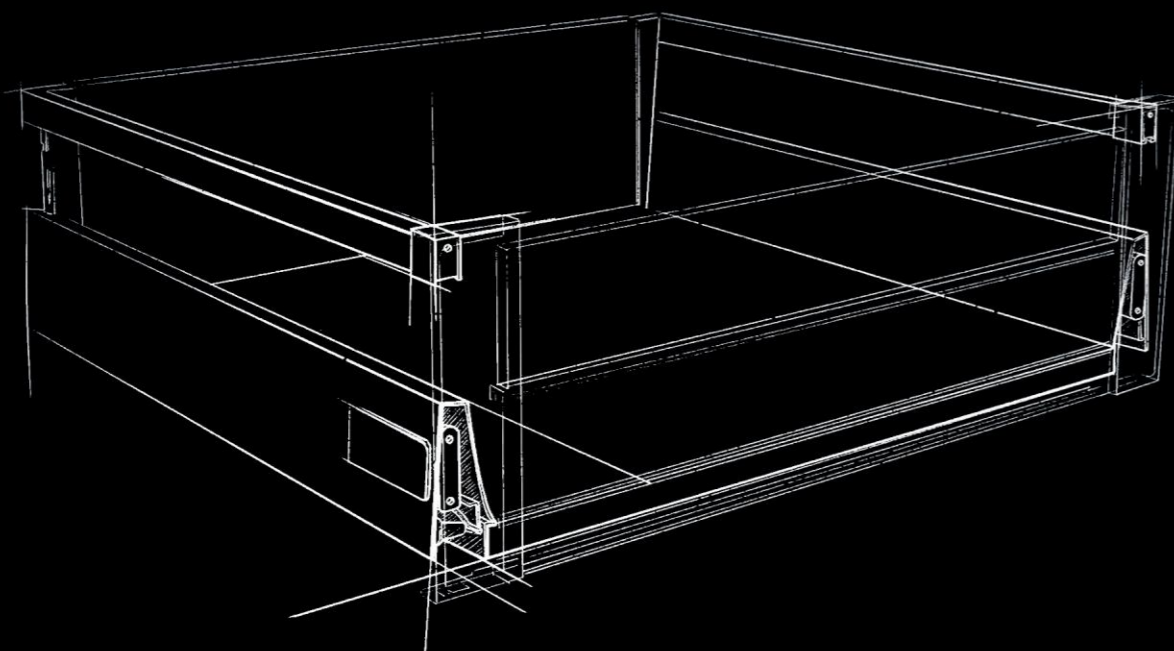
	Silk white	Iron gray	Packing quantity
	GH32001W	GH32001G	100PCS

Vertical partition

	Silk white	Iron gray	Packing quantity
	GH32002W	GH32002G	100PCS

IN-BOX

Versatile drawer series



Multi-layer partition

The multi-layer partition design brings the practical aesthetic to the extreme. Minimalist temperament, integrated with the space, Beautiful and clean, easy to use.



GH3201 Versatile internal pumping H=84mm



Inner Box panel

Cabinet net width LW-90	Nominal length	Silk white	Iron gray	Amount
	600mm	GL320600W	GL320600G	20PCS
800mm	GL320800W	GL320800G	20PCS	
900mm	GL320900W	GL320900G	20PCS	
1000mm	GL321000W	GL321000G	20PCS	
1200mm	GL321200W	GL321200G	20PCS	

Inner Box Front Connector L/R

	Silk white	Iron gray	Packing quantity
	GH320101W	GH320101G	20SET

GH3203 The square rod is versatile and drawn inward H=151mm



Square lever

Cabinet net width LW-92	Nominal length	Silk white	Iron gray	Packing quantity
	600mm	GF320600W	GF320600G	20PCS
1200mm	GF321200W	GF321200G	20PCS	

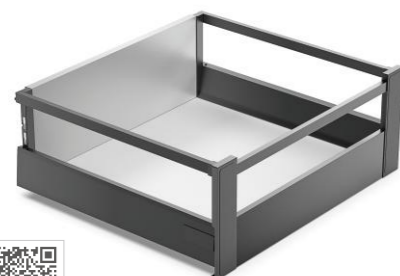
Inner Box panel

Cabinet net width LW-90	Nominal length	Silk white	Iron gray	Packing quantity
	600mm	GL320600W	GL320600G	20PCS
1200mm	GL321200W	GL321200G	20PCS	

Inner Box Front Connector L/R

	Silk white	Iron gray	Packing quantity
	GH320301W	GH320301G	20SET

GH3204 The square rod is versatile and drawn inward H=183mm



Product Details

Square lever

Cabinet net width LW-92	Nominal length	Silk white	Iron gray	Packing quantity
	600mm	GF320600W	GF320600G	20PCS
1200mm	GF321200W	GF321200G	20PCS	

Inner Box panel

Cabinet net width LW-90	Nominal length	Silk white	Iron gray	Packing quantity
	600mm	GL320600W	GL320600G	20PCS
1200mm	GL321200W	GL321200G	20PCS	

Inner Box Front Connector L/R

	Silk white	Iron gray	Packing quantity
	GH320401W	GH320401G	20SET

GH3243 Glass versatile internal pumping H=151mm



Internal box :high glass panels

Glass thickness: 8mm	Applicable cabinet width	Scrub	Packing quantity
	600mm	GB1513450F	20PCS
800mm	GB1513500F	20PCS	
900mm	GB1513550F	20PCS	

Inner Box panel

Cabinet net width LW-90	Nominal length	Silk white	Iron gray	Packing quantity
	600mm	GL320600W	GL320600G	20PCS
1200mm	GL321200W	GL321200G	20PCS	

Inner Box Front Connector L/R

	Silk white	Iron gray	Packing quantity
	GH320301W	GH320301G	20SET

GH3244 Glass versatile internal pumping H=183mm



Product Details

Internal box :high glass panels

Glass thickness: 8mm	Applicable cabinet width	Transparent	Packing quantity
	600mm	GB1514450F	20PCS
800mm	GB1514500F	20PCS	
900mm	GB1514550F	20PCS	

Inner Box panel

Cabinet net width LW-90	Nominal length	Silk white	Iron gray	Packing quantity
	600mm	GL320600W	GL320600G	20PCS
1200mm	GL321200W	GL321200G	20PCS	

Inner Box Front Connector L/R

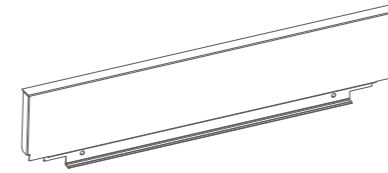
	Silk white	Iron gray	Packing quantity
	GH320401W	GH320401G	20SET

IN-BOX

Variety steel backplane

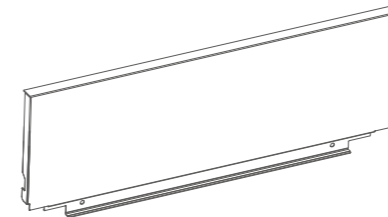


GH3201 H84mm Steel back plate



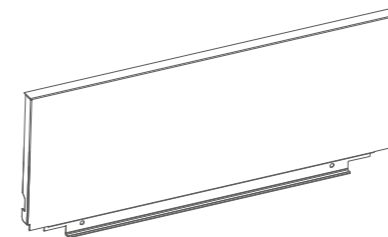
Cabinet net width	Silk white numbering	Iron gray numbering	Amount
300	GH32010230W	GH32010230G	20PCS
400	GH32010330W	GH32010330G	20PCS
500	GH32010430W	GH32010430G	20PCS
600	GH32010530W	GH32010530G	20PCS
700	GH32010630W	GH32010630G	20PCS
800	GH32010730W	GH32010730G	20PCS
1000	GH32010930W	GH32010930G	20PCS
1200	GH32011030W	GH32011030G	20PCS

GH3203 H167mm Steel back plate

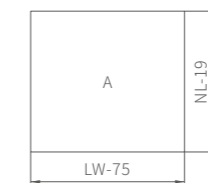
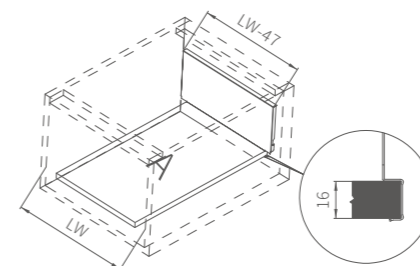


Cabinet net width	Silk white numbering	Iron gray numbering	Amount
300	GH32030230W	GH32030230G	20PCS
400	GH32030330W	GH32030330G	20PCS
500	GH32030430W	GH32030430G	20PCS
600	GH32030530W	GH32030530G	20PCS
700	GH32030630W	GH32030630G	20PCS
800	GH32030730W	GH32030730G	20PCS
1000	GH32030930W	GH32030930G	20PCS
1200	GH32031030W	GH32031030G	20PCS

GH3204 H199mm Steel back plate



Cabinet net width	Silk white numbering	Iron gray numbering	Amount
300	GH32040230W	GH32040230G	20PCS
400	GH32040330W	GH32040330G	20PCS
500	GH32040430W	GH32040430G	20PCS
600	GH32040530W	GH32040530G	20PCS
700	GH32040630W	GH32040630G	20PCS
800	GH32040730W	GH32040730G	20PCS
1000	GH32040930W	GH32040930G	20PCS
1200	GH32041030W	GH32041030G	20PCS



Order instructions:
 LW; Cabinet Net Width
 Base Panel Length = Nominal Length -19mm
 Back Panel Length = Cabinet Net Width (LW) -47 ± 0.5

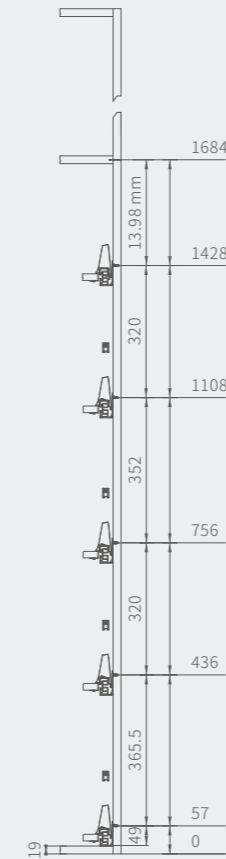
LW Cabinet Net Width
 NL Nominal Length

IN-BOX

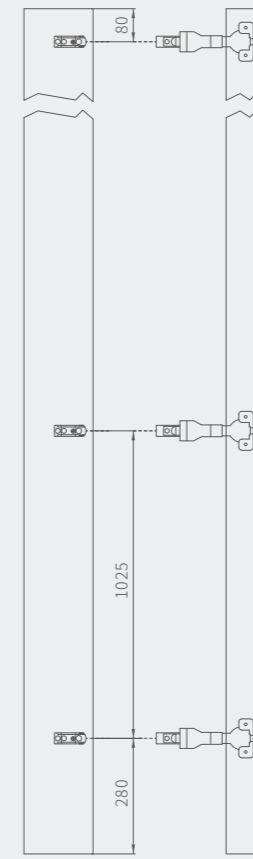
Versatile high cabinet applications



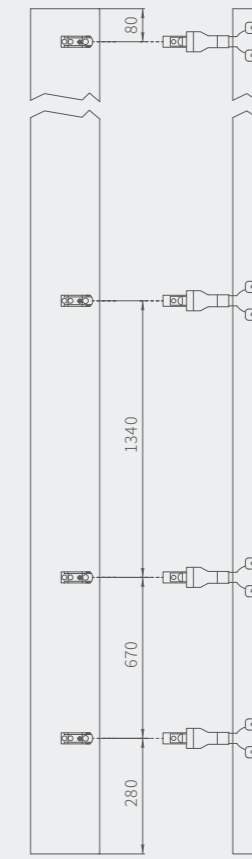
Inner installation position of the cabinet



Drilling hole size - panel



Drilling hole size - panel



Describe

"Move" the storage room into the kitchen; Vertical multilateral layer partitions, Each layer can be pulled out individually, Storage space is fully utilized; Full extension design, All the items are on display, and easy to reach from three different directions; Flexible internal structure, Make the placement of each food reasonable and orderly; Width, height and depth can be adjusted flexibly according to the desired storage space.

Product information

Recommended application for the inner-box drawer

Gh3201 Versatile internal pumping H=84mm	225
Gh3203 The square rod is versatile and drawn inward H=151mm	225

Recommended application for the inner-box glass drawers

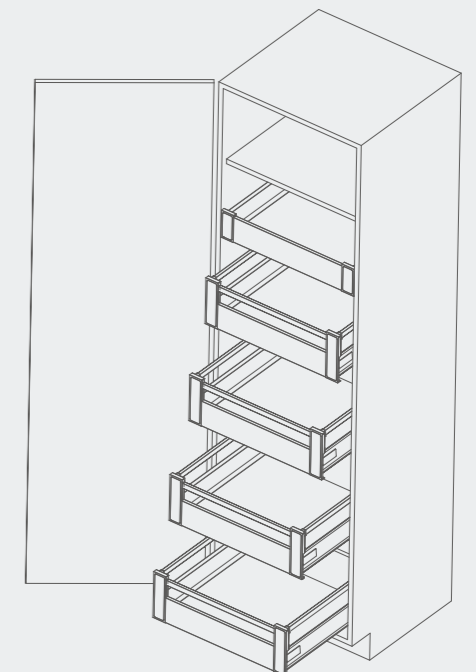
Gh3243 Glass versatile internal pumping H=151mm	226
---	-----

Recommended application for the Hinge

Gt165 Special degree Soft-closing Hinges	049
--	-----



Product Details

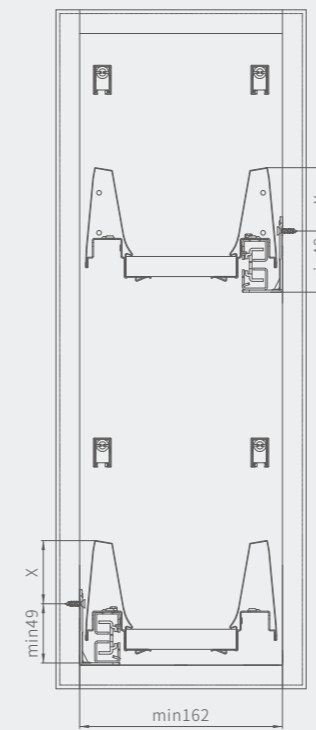


IN-BOX

Versatile narrow cabinet applications

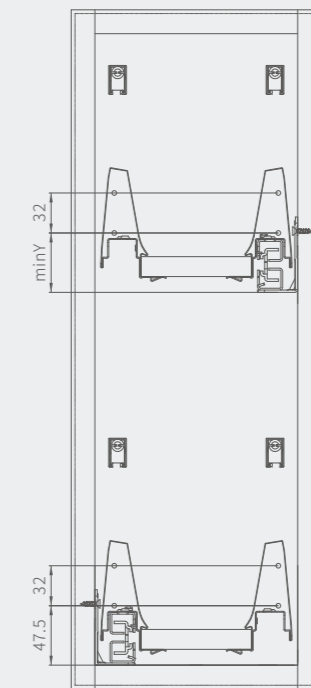


Space requirements of the inner cabinet installation



Installation height	X(mm)
M	110
K	151
B	198
D	233

Drilling hole size - panel



Installation height	Low draw side panel height	Y(mm)
M	M	47.5
K	K	47.5
B	B	47.5
D	D	47.5

Product information

Drawer Recommended Apps

Gh3201 IN-BOX Variable Drawer H=84mm	217
Gh3202 IN-BOX Variable Drawer H=135mm	199
Gh3203 IN-BOX Variable Drawer H=167mm	201
Gh3204 IN-BOX Variable Drawer H=199mm	203

Recommended applications for glass drawers

Gh3243 Glass is versatile H=167mm	217
Gh3244 Glass is versatile H=199mm	219

Describe

Don't waste every inch of space;
 Even the narrowest gap can be fully utilized;
 Flexible creating storage space for bottles,
 cutting boards, baking pans, etc.;
 Full-extension drawer for easy to reach objects;
 Diagonal slide can ensure high stability of the drawer;
 Suitable for cabinet widths above 200mm;
 The load-bearing capacity is up to 40kg.



Product Details