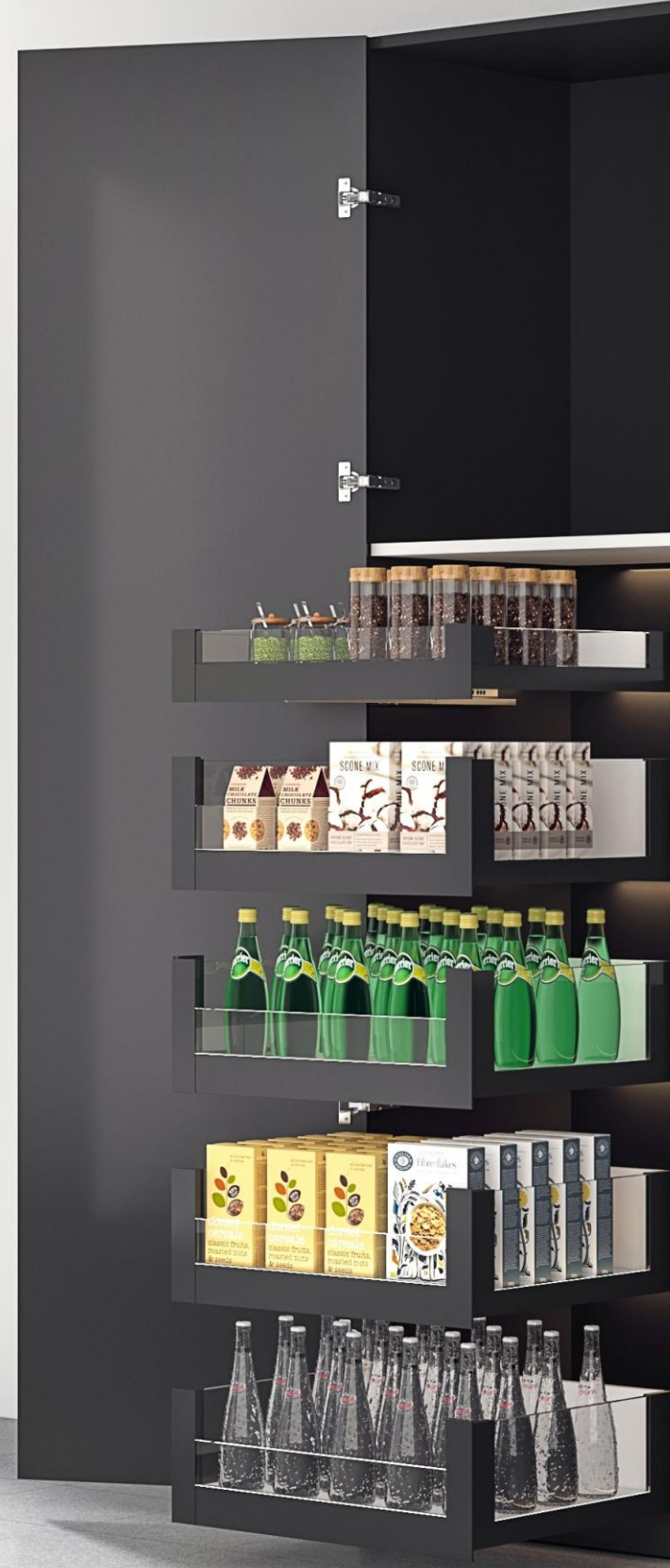


GARIS®

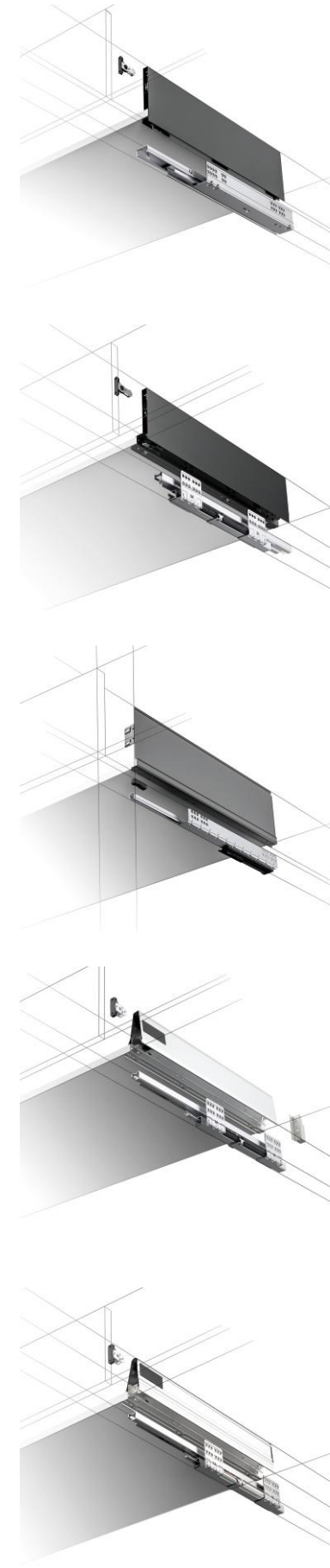


## DRAWER SERIES

### LESS IS MORE

GARIS Drawer Series can realize a variety of design solutions and meet a variety of personalized home design requirements. Smooth, quiet, Soft closing operation experience, and beautiful line design are a typical feature of the drawer series.





**U-BOX**

**Drawer System**  
063

U-BOX Drawer System	065	Bathroom Cabinet	101
U-BOX Glass Drawer System	077	Storage System	103
U-BOX Inner Box Drawer System	087	Plate Holder	111
U-BOX Steel Back Panel	093	Divider	112
U-BOX Tower Cabinet	095	Installation	113
U-BOX Wardrobe	097		
U-BOX Storage Narrow cabinet	099		

**MINI-BOX**

**Drawer System**  
117

MINI-BOX drawer system	119	Storage System	155
MINI-BOX Glass Drawer System	131	Plate Holder	163
MINI-BOX Glass Drawer System	141	Divider	164
MINI-BOX Steel Back Panel	147	Installation	165
MINI-BOX Tower Cabinet	149		
MINI-BOX Wardrobe	151		
MINI-BOX Storage Narrow cabinet	153		

**METAL-BOX**

**Drawer System**  
169

Ultra Slim Single Extension Drawer System	171		
Ultra Slim G30 Full Extension Drawer System	181		
METAL-BOX Wardrobe	187		
Installation	189		

**IN-BOX**

**Drawer System**  
191

IN-BOX Drawer System	193		
IN-BOX Glass Drawer System	215		
IN-BOX Inner Box Drawer System	221		
IN-BOX Steel Back Panel	223		
IN-BOX Tower Cabinet	227		
IN-BOX Wardrobe	229		
IN-BOX Storage Narrow cabinet	231		
Installation	253		

**SMART-BOX**

**Drawer System**  
233

SMART-BOX Soft-Closing Drawer System	235		
SMART-BOX Inner Box Drawer System	243		
SMART-BOX Storage System	247		
Plate Holder	251		
Installation	259		

# U-BOX SLIM TANDEM SERIES

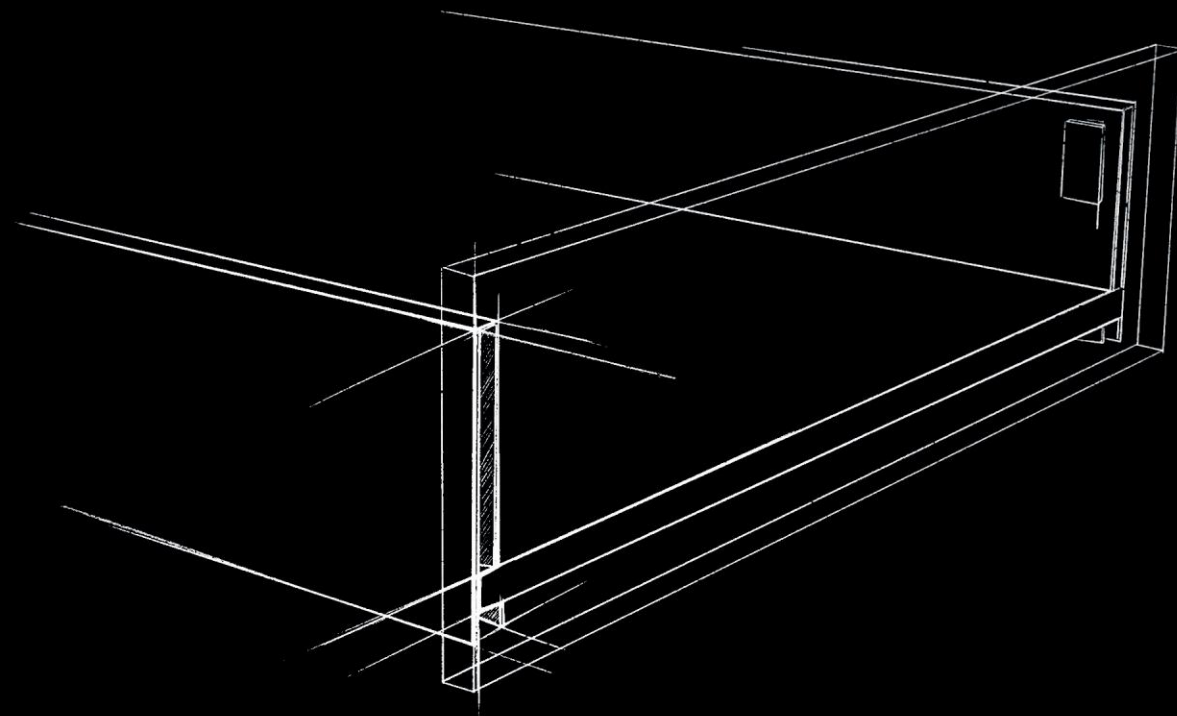
U-BOX Drawer System





# U-BOX

Drawer System



## Line sense

Simple and bright sense of line is a design language that is reason intertwining with sensibility. In the quietest way, it interprets the soul of a minimalist modern space.





### 3D Adjustment Technology



Realize the front and rear, up and down, left and right position adjustment of the drawer guide rail, the adjustment is precise, and the operation is simple and reliable.

### Full extension synchronization technology



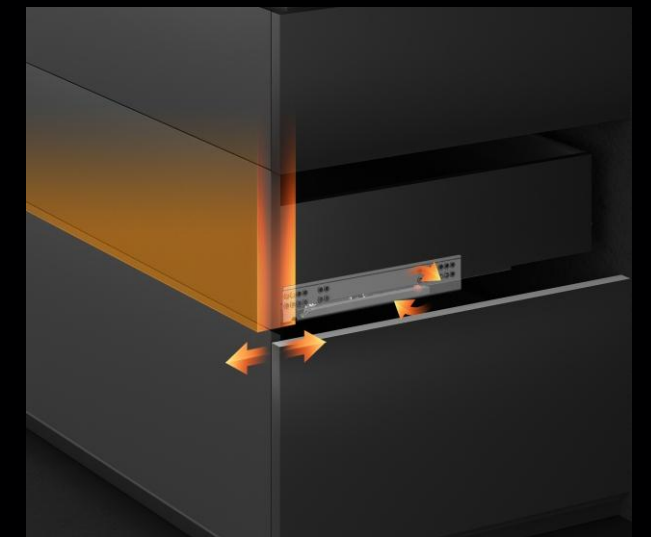
The roller rack has excellent sliding performance, Gives drawers a smooth, smooth movement.

### Slim design



The side drawer is as thin as 13mm, Slim and light, no heaviness.

### push open adjustment



Open at the touch of a button, Gear adjustment panel clearance  $\pm 2\text{mm}$ .

# U-BOX Drawer System

BL5101

DRAWER SERIES



## Describe

Concealed Full Extension ;  
Full extension synchronous suspension orbit technology;  
13mm design without side panel;  
35 kg Load capacity, long service life;  
It can be adjusted in three dimensions on the side;  
Built-in SCT infinitely variable speed damping technology;  
To ensure the slide has smooth and gentle movement ;  
Equipped with TOS push open technology;



Product Details



Soft closing



Push open



Max load bearing

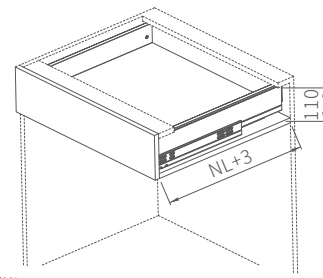


Side height



3D Adjustment

## Space required



NL

## Product information

Nominal Length	Soft-Closing Drawer		Push Open Drawer		Amount
	Silk White	Iron Gray	Silk White	Iron Gray	
270	BL5101-270W	BL5101-270G	BL5111-270W	BL5111-270G	6SET
300	BL5101-300W	BL5101-300G	BL5111-300W	BL5111-300G	6SET
350	BL5101-350W	BL5101-350G	BL5111-350W	BL5111-350G	6SET
400	BL5101-400W	BL5101-400G	BL5111-400W	BL5111-400G	6SET
450	BL5101-450W	BL5101-450G	BL5111-450W	BL5111-450G	6SET
500	BL5101-500W	BL5101-500G	BL5111-500W	BL5111-500G	6SET
550	BL5101-550W	BL5101-550G	BL5111-550W	BL5111-550G	6SET

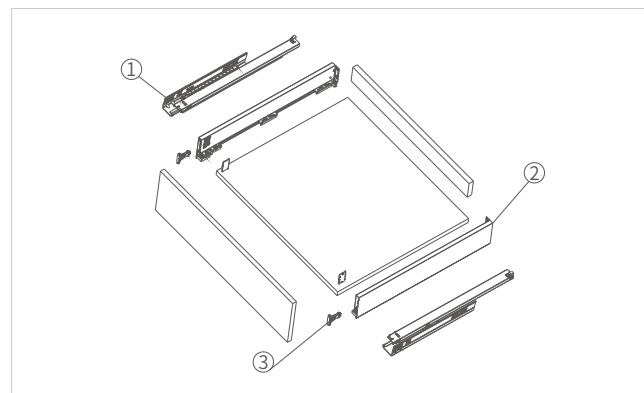
## Contact(Industrial packaging)

1	Concealed full extension sync Slide L/R			
	Nominal length	BL Soft-closing slide	BL Push-open	Amount
	270	510270H	511270H	10SET
	300	510300H	511300H	10SET
	350	510350H	511350H	10SET
	400	510400H	511400H	10SET
	450	510450H	511450H	10SET
	500	510500H	511500H	10SET
	550	510550H	511550H	10SET

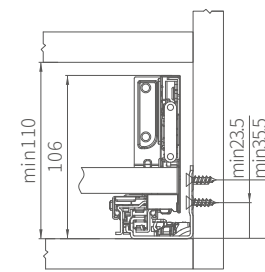
2	U-BOX side panel L/R			
	Nominal length	Silk white L/R	Iron gray L/R	Amount
	270	5101270W	5101270G	20PCS
	300	5101300W	5101300G	20PCS
	350	5101350W	5101350G	20PCS
	400	5101400W	5101400G	20PCS
	450	5101450W	5101450G	20PCS
	500	5101500W	5101500G	20PCS
	550	5101550W	5101550G	20PCS

3	Front Connector	
	Product Code	Amount
	G13501	100SET

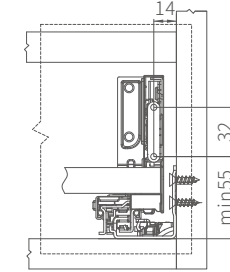
3	Quick-mounting Front Connector	
	Product Code	Amount
	G13502	100SET



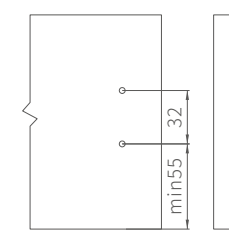
## Space requirements of the inner cabinet installation



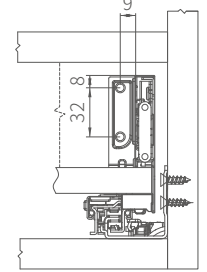
## Front Connector panel mounting size



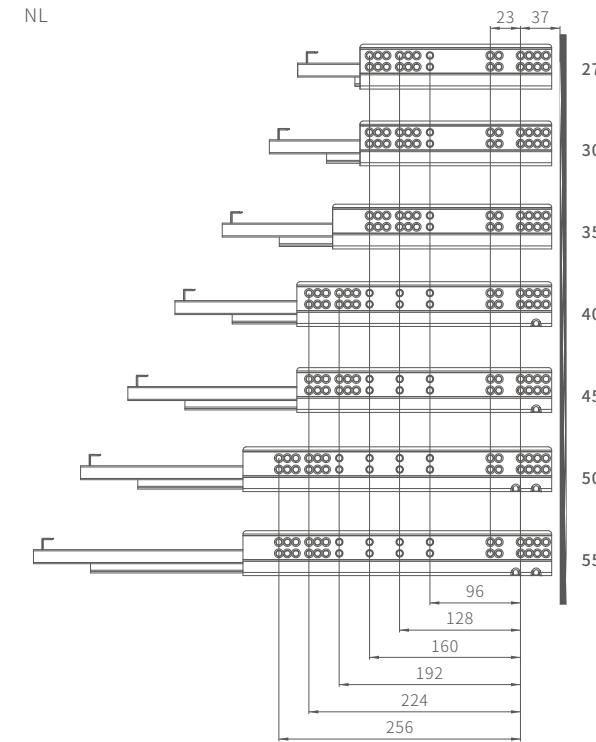
## Panel hole size



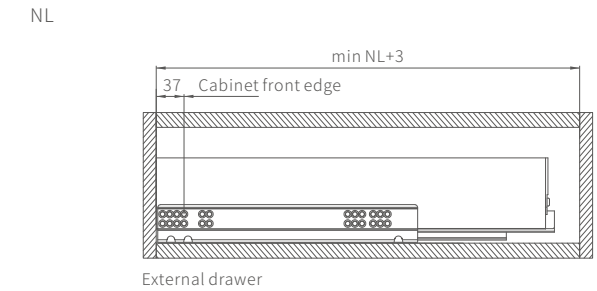
## Back-panel mounting size



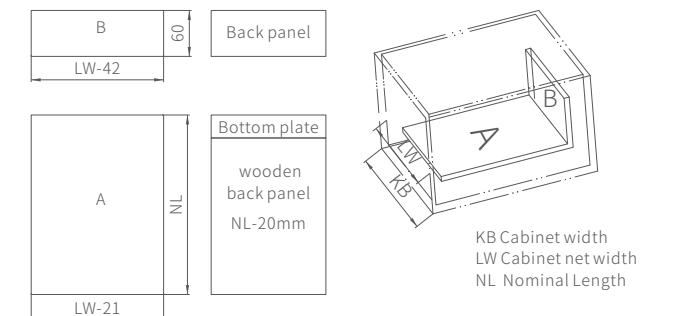
## Cabinet slide mounting size



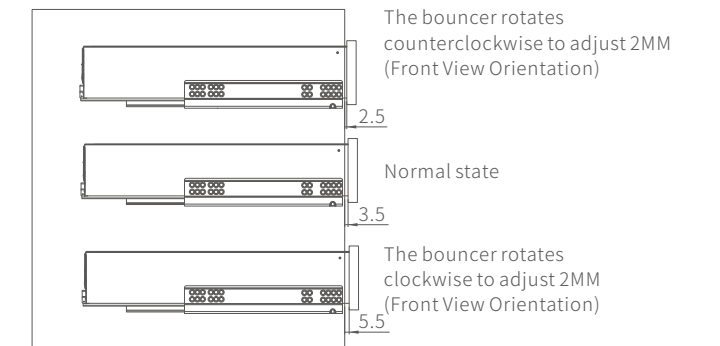
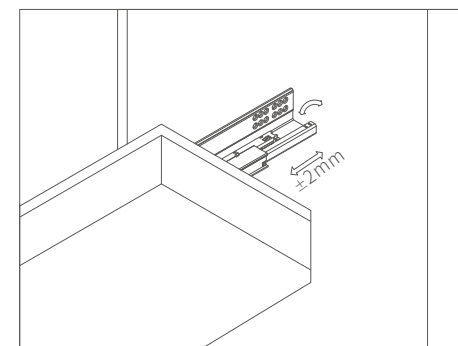
## Slide mounting size



## 16mm (thickness) MDF cutting size



## Push open adjustment





# U-BOX Drawer System

BL5102

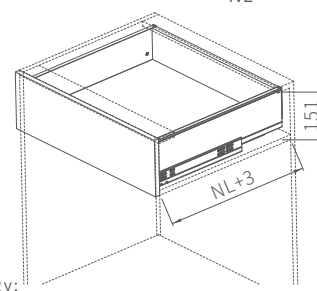
DRAWER SERIES



## Describe

Concealed Full Extension ;  
Full extension synchronous suspension orbit technology;  
13mm design without side panel;  
35 kg Load capacity , long service life;  
It can be adjusted in three dimensions on the side;  
Built-in SCT infinitely variable speed damping technology;  
To ensure the slide has smooth and gentle movement ;  
Equipped with TOS push open technology;

## Space required



## Product information

Nominal Length	Soft-Closing Drawer		Push Open Drawer		Amount
	Silk White	Iron Gray	Silk White	Iron Gray	
270	BL5102-270W	BL5102-270G	BL5112-270W	BL5112-270G	6SET
300	BL5102-300W	BL5102-300G	BL5112-300W	BL5112-300G	6SET
350	BL5102-350W	BL5102-350G	BL5112-350W	BL5112-350G	6SET
400	BL5102-400W	BL5102-400G	BL5112-400W	BL5112-400G	6SET
450	BL5102-450W	BL5102-450G	BL5112-450W	BL5112-450G	6SET
500	BL5102-500W	BL5102-500G	BL5112-500W	BL5112-500G	6SET
550	BL5102-550W	BL5102-550G	BL5112-550W	BL5112-550G	6SET

## Contact(Industrial packaging)

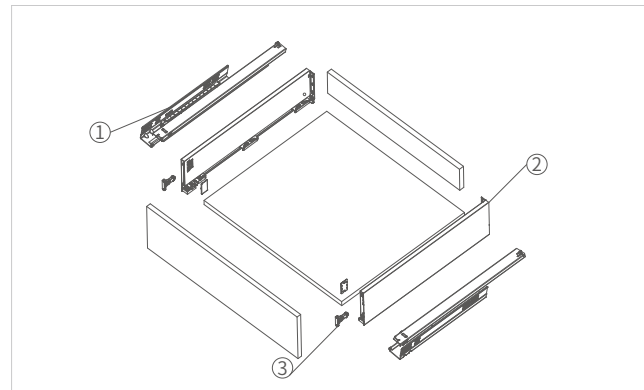
1	Concealed full extension sync Slide L/R			
	Nominal length	BL Soft-closing slide	BL Push-open	Amount
	270	510270H	511270H	10SET
	300	510300H	511300H	10SET
	350	510350H	511350H	10SET
	400	510400H	511400H	10SET
	450	510450H	511450H	10SET
	500	510500H	511500H	10SET
	550	510550H	511550H	10SET

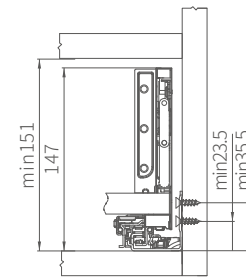
2	U-BOX side panel L/R			
	Nominal length	Silk white L/R	Iron gray L/R	Amount
	270	5102270W	5102270G	20PCS
	300	5102300W	5102300G	20PCS
	350	5102350W	5102350G	20PCS
	400	5102400W	5102400G	20PCS
	450	5102450W	5102450G	20PCS
	500	5102500W	5102500G	20PCS
	550	5102550W	5102550G	20PCS

3	Front Connector	
	Product Code	Amount
	G13501	100SET

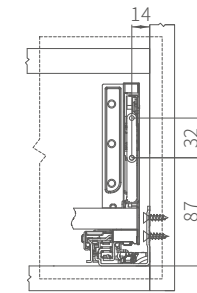
3	Quick-mounting Front Connector	
	Product Code	Amount
	G13502	100SET



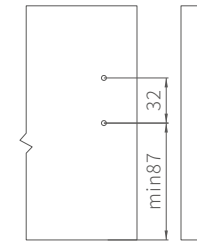
## Space requirements of the inner cabinet installation



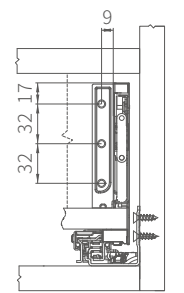
## Front Connector panel mounting size



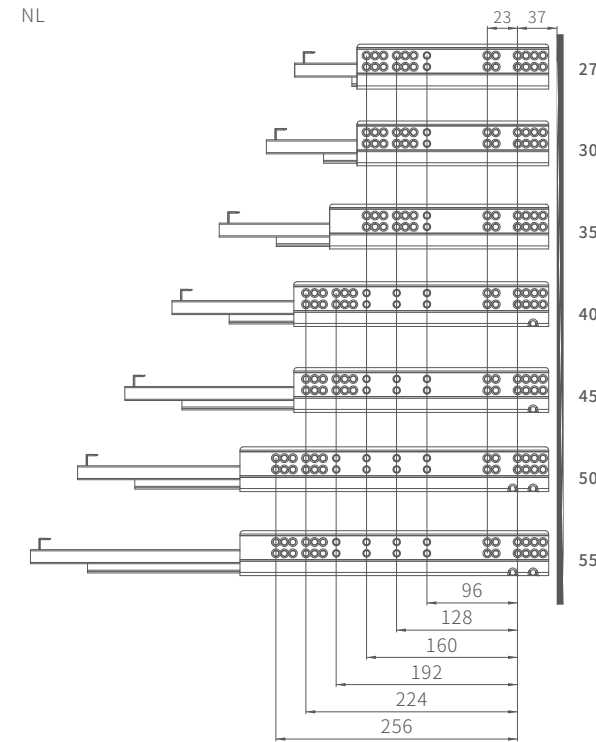
## Panel hole size



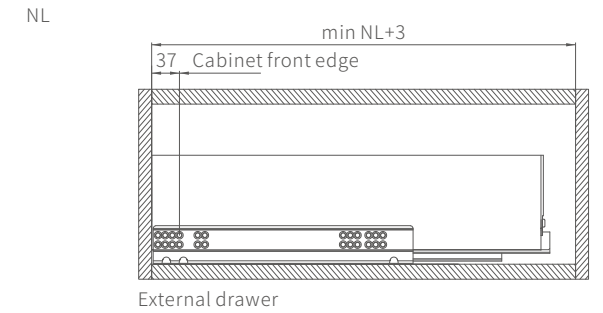
## Back-panel mounting size



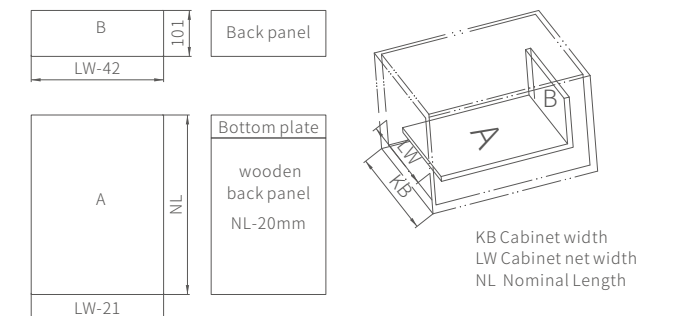
## Cabinet slide mounting size



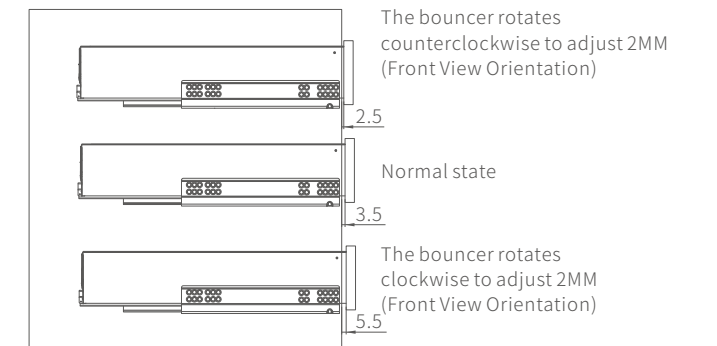
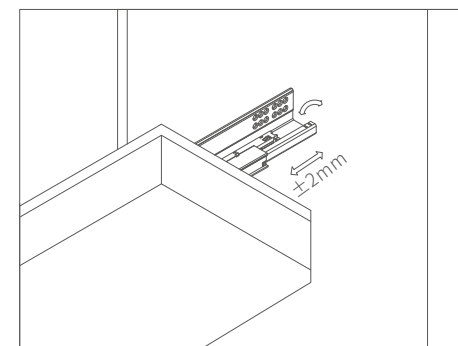
## Slide mounting size



## 16mm (thickness) MDF cutting size



## Push open adjustment



# U-BOX Drawer System

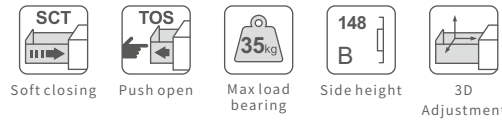
BL5103

DRAWER SERIES

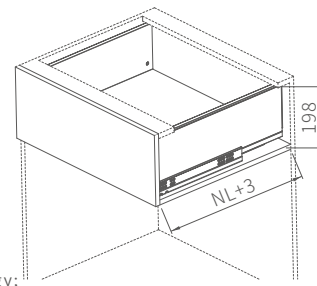


## Describe

Concealed Full Extension ;  
Full extension synchronous suspension orbit technology;  
13mm design without side panel;  
35 kg Load capacity, long service life;  
It can be adjusted in three dimensions on the side;  
Built-in SCT infinitely variable speed damping technology;  
To ensure the slide has smooth and gentle movement ;  
Equipped with TOS push open technology;



## Space required



## Product information

Nominal Length	Soft-Closing Drawer		Push Open Drawer		Amount
	Silk White	Iron Gray	Silk White	Iron Gray	
270	BL5103-270W	BL5103-270G	BL5113-270W	BL5113-270G	5SET
300	BL5103-300W	BL5103-300G	BL5113-300W	BL5113-300G	5SET
350	BL5103-350W	BL5103-350G	BL5113-350W	BL5113-350G	5SET
400	BL5103-400W	BL5103-400G	BL5113-400W	BL5113-400G	5SET
450	BL5103-450W	BL5103-450G	BL5113-450W	BL5113-450G	5SET
500	BL5103-500W	BL5103-500G	BL5113-500W	BL5113-500G	5SET
550	BL5103-550W	BL5103-550G	BL5113-550W	BL5113-550G	5SET

## Contact(Industrial packaging)

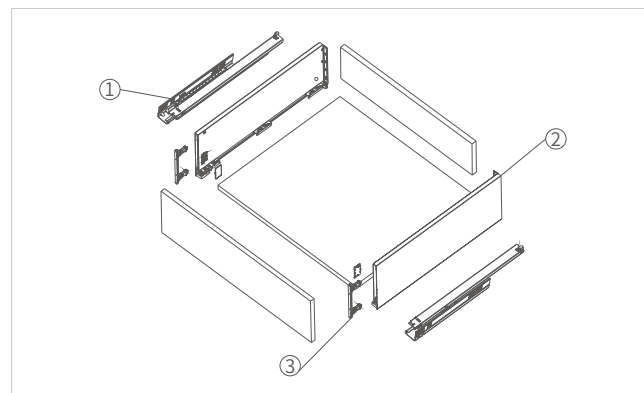
1	Concealed full extension sync Slide L/R			
	Nominal length	BL Soft-closing slide	BL Push-open	Amount
	270	510270H	511270H	10SET
	300	510300H	511300H	10SET
	350	510350H	511350H	10SET
	400	510400H	511400H	10SET
	450	510450H	511450H	10SET
	500	510500H	511500H	10SET
	550	510550H	511550H	10SET

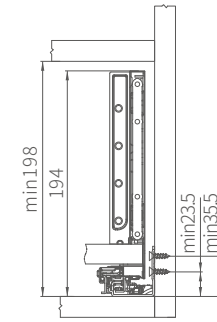
2	U-BOX side panel L/R			
	Nominal length	Silk white L/R	Iron gray L/R	Amount
	270	5103270W	5103270G	20PCS
	300	5103300W	5103300G	20PCS
	350	5103350W	5103350G	20PCS
	400	5103400W	5103400G	20PCS
	450	5103450W	5103450G	20PCS
	500	5103500W	5103500G	20PCS
	550	5103550W	5103550G	20PCS

3	Front Connector	
	Product Code	Amount
	G13701	100SET

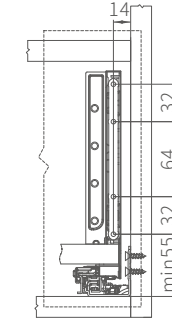
3	Quick-mounting Front Connector	
	Product Code	Amount
	G13702	100SET



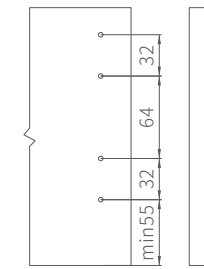
## Space requirements of the inner cabinet installation



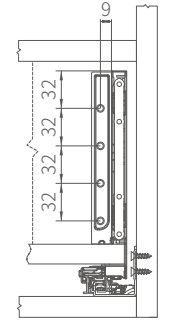
## Front Connector panel mounting size



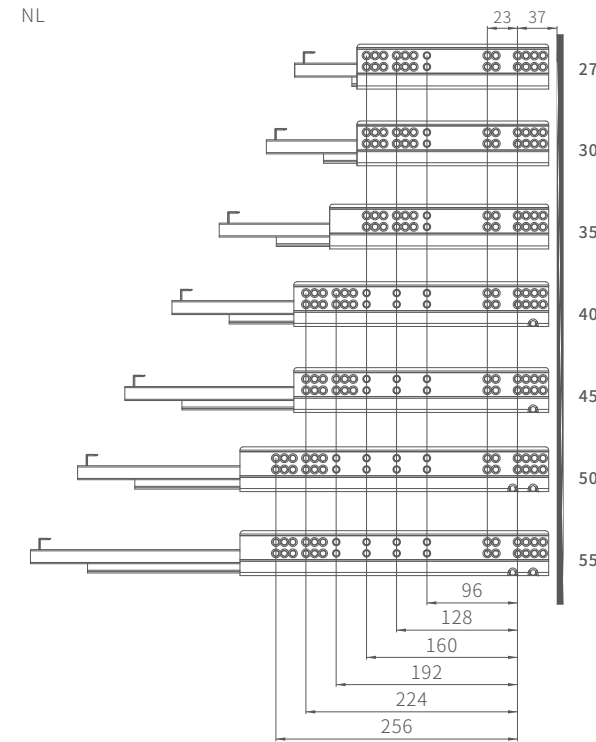
## Panel hole size



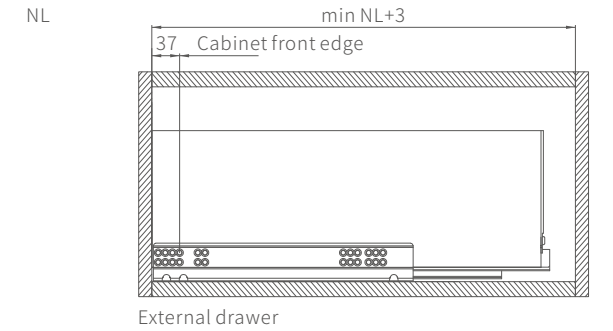
## Back-panel mounting size



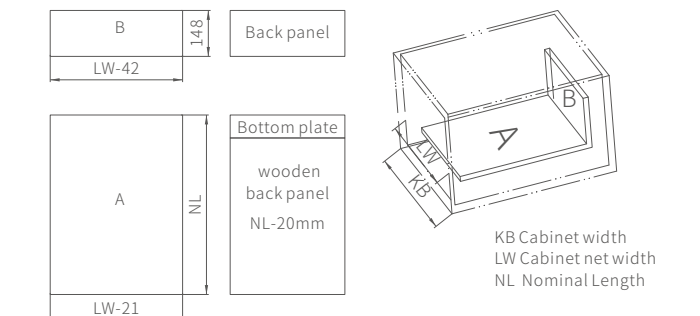
## Cabinet slide mounting size



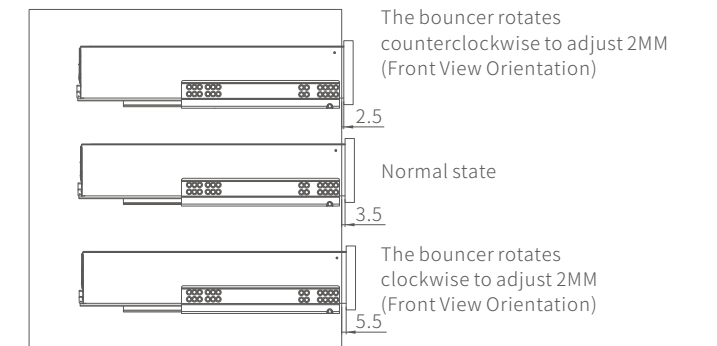
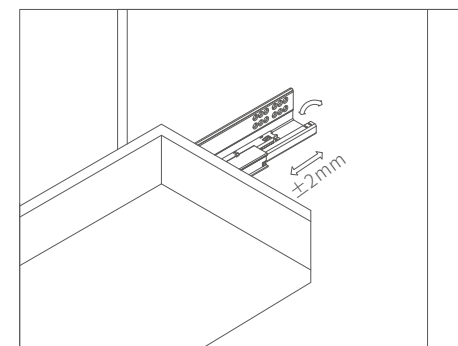
## Slide mounting size



## 16mm (thickness) MDF cutting size



## Push open adjustment





# U-BOX Drawer System

BL5104

DRAWER SERIES



## Describe

Concealed Full Extension ;  
Full extension synchronous suspension orbit technology;  
13mm design without side panel;  
35 kg Load capacity, long service life;  
It can be adjusted in three dimensions on the side;  
Built-in SCT infinitely variable speed damping technology;  
To ensure the slide has smooth and gentle movement ;  
Equipped with TOS push open technology;



Product Details



Soft closing



Push open



Max load bearing

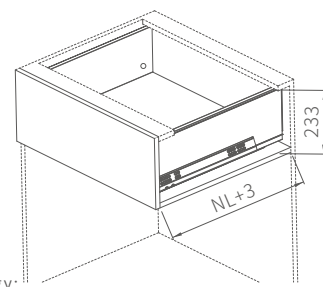


Side height



3D Adjustment

## Space required



NL

233

NL+3

## Product information

Nominal Length	Soft-Closing Drawer		Push Open Drawer		Amount
	Silk White	Iron Gray	Silk White	Iron Gray	
270	BL5104-270W	BL5104-270G	BL5114-270W	BL5114-270G	4SET
300	BL5104-300W	BL5104-300G	BL5114-300W	BL5114-300G	4SET
350	BL5104-350W	BL5104-350G	BL5114-350W	BL5114-350G	4SET
400	BL5104-400W	BL5104-400G	BL5114-400W	BL5114-400G	4SET
450	BL5104-450W	BL5104-450G	BL5114-450W	BL5114-450G	4SET
500	BL5104-500W	BL5104-500G	BL5114-500W	BL5114-500G	4SET
550	BL5104-550W	BL5104-550G	BL5114-550W	BL5114-550G	4SET

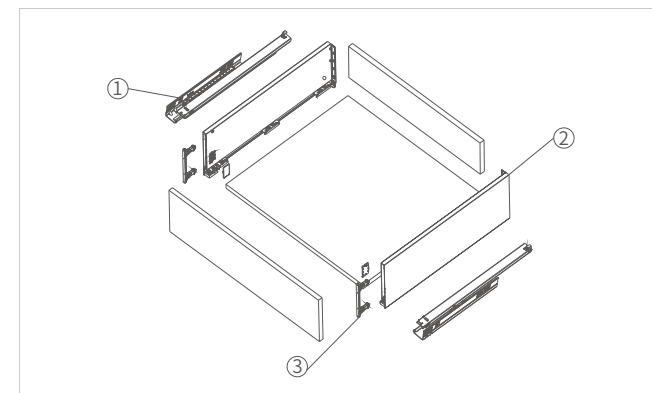
## Contact(Industrial packaging)

1	Concealed full extension sync Slide L/R			
	Nominal length	BL Soft-closing slide	BL Push-open	Amount
	270	510270H	511270H	10SET
	300	510300H	511300H	10SET
	350	510350H	511350H	10SET
	400	510400H	511400H	10SET
	450	510450H	511450H	10SET
	500	510500H	511500H	10SET
	550	510550H	511550H	10SET

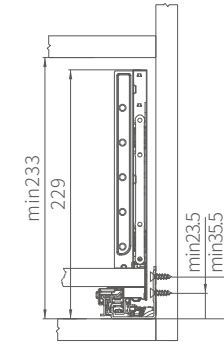
2	U-BOX side panel L/R			
	Nominal length	Silk white L/R	Iron gray L/R	Amount
	270	5104270W	5104270G	20PCS
	300	5104300W	5104300G	20PCS
	350	5104350W	5104350G	20PCS
	400	5104400W	5104400G	20PCS
	450	5104450W	5104450G	20PCS
	500	5104500W	5104500G	20PCS
	550	5104550W	5104550G	20PCS

3	Front Connector	
	Product Code	Amount
	G13701	100SET

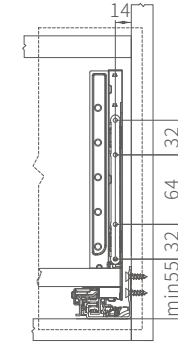
3	Quick-mounting Front Connector	
	Product Code	Amount
	G13702	100SET



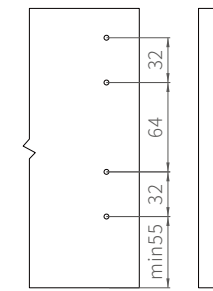
## Space requirements of the inner cabinet installation



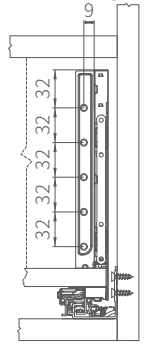
## Front Connector panel mounting size



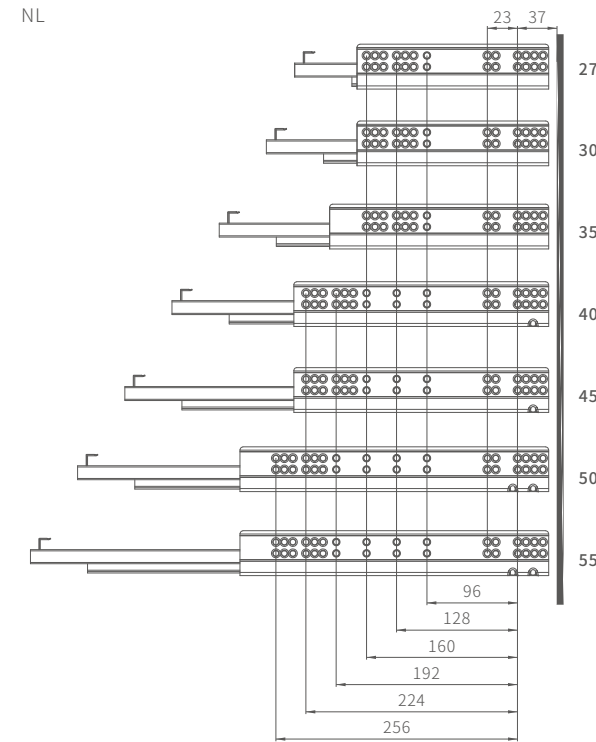
## Panel hole size



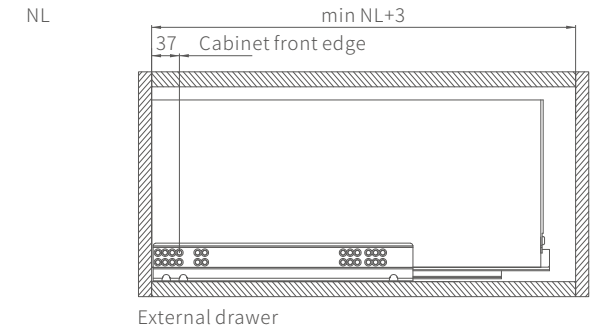
## Back-panel mounting size



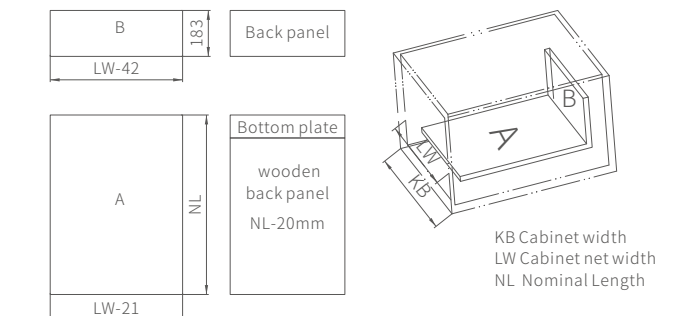
## Cabinet slide mounting size



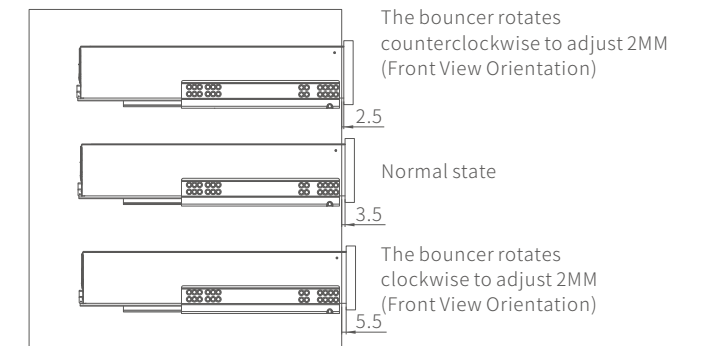
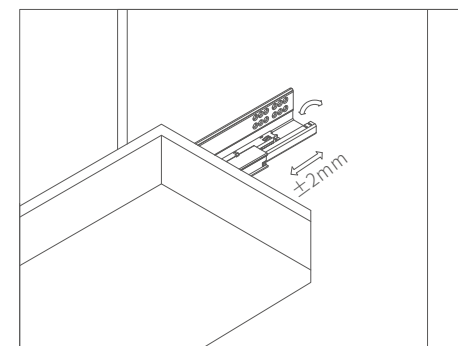
## Slide mounting size



## 16mm (thickness) MDF cutting size

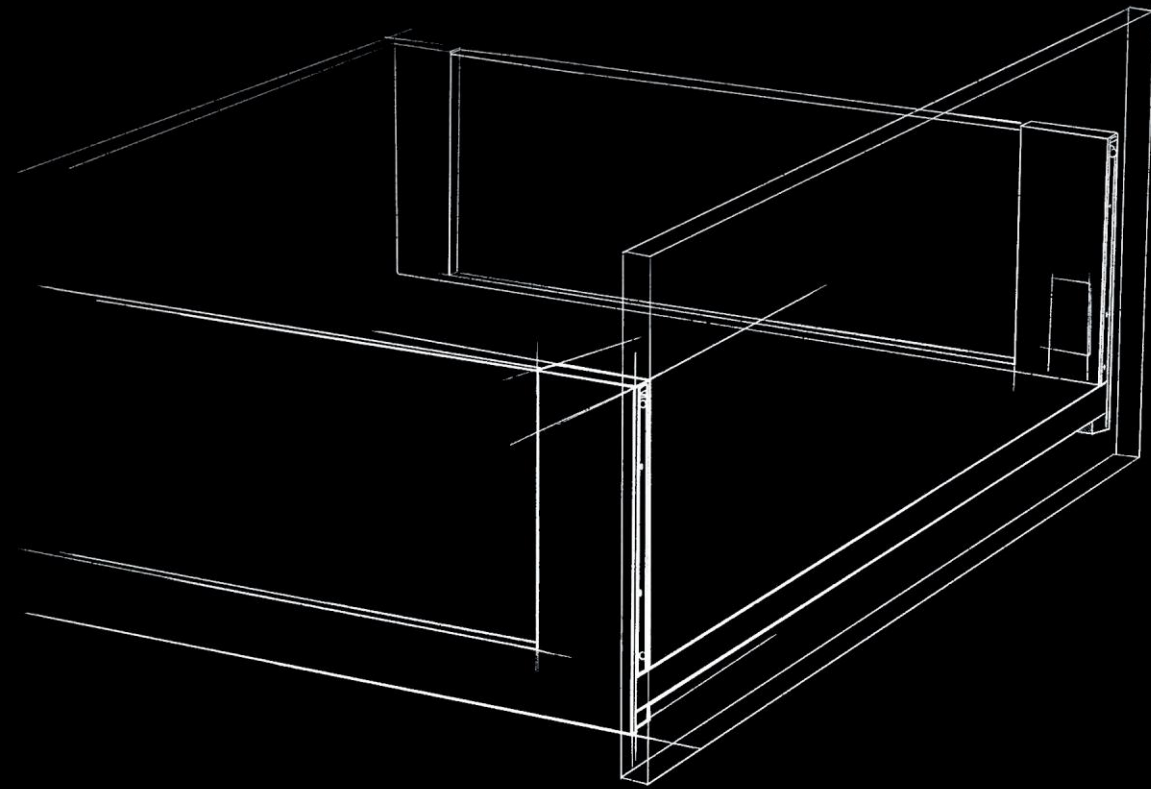


## Push open adjustment



# U-BOX

Glass Drawer System



## Crystal clear

Glass Drawers have a crystal clear texture that lights up the entire space.  
Slim and smooth line-sense look, Portray a delicate and concise home furnishing.





# U-BOX Glass Drawer System

BL5201

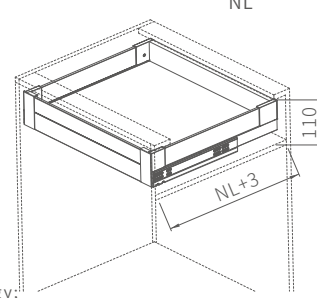
DRAWER SERIES



## Describe

Concealed Full Extension ;  
Full extension synchronous suspension orbit technology;  
8mm design without side panel;  
35 kg Load capacity, long service life;  
It can be adjusted in three dimensions on the side;  
Built-in SCT infinitely variable speed damping technology;  
To ensure the slide has smooth and gentle movement ;  
Equipped with TOS push open technology;

## Space required



## Product information

Nominal Length	Glass Damping Drawer		Glass Push-Open Drawer		Amount
	Silk White	Iron Gray	Silk White	Iron Gray	
350	BL5201-350W	BL5201-350G	BL5211-350W	BL5211-350G	6SET
400	BL5201-400W	BL5201-400G	BL5211-400W	BL5211-400G	6SET
450	BL5201-450W	BL5201-450G	BL5211-450W	BL5211-450G	6SET
500	BL5201-500W	BL5201-500G	BL5211-500W	BL5211-500G	6SET
550	BL5201-550W	BL5201-550G	BL5211-550W	BL5211-550G	6SET

Nominal Length	Glass Damping Drawer (with light)		Glass Push-Open Drawer (with light)		Amount
	Silk white*LED	Iron gray*LED	Silk white*LED	Iron gray*LED	
350	BL5201-350WLED	BL5201-350GLED	BL5211-350WLED	BL5211-350GLED	6SET
400	BL5201-400WLED	BL5201-400GLED	BL5211-400WLED	BL5211-400GLED	6SET
450	BL5201-450WLED	BL5201-450GLED	BL5211-450WLED	BL5211-450GLED	6SET
500	BL5201-500WLED	BL5201-500GLED	BL5211-500WLED	BL5211-500GLED	6SET

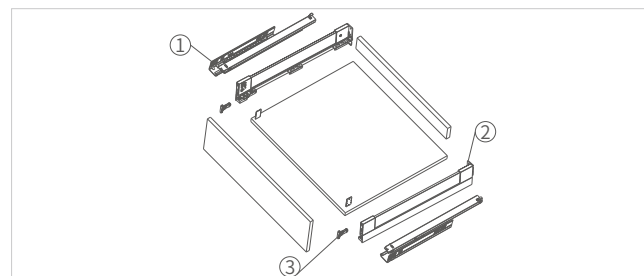
## Contact(Industrial packaging)

1	Concealed full extension sync Slide L/R			
	Nominal length	BL Soft-closing slide	BL Push-open	Amount
	350	510350H	511350H	10SET
	400	510400H	511400H	10SET
	450	510450H	511450H	10SET
	500	510500H	511500H	10SET
	550	510550H	511550H	10SET

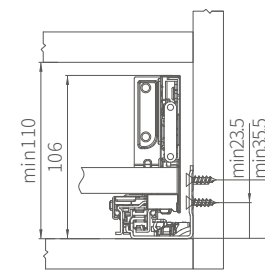
2	U-BOX side panel L/R			
	Nominal length	Silk white L/R	Iron gray L/R	Amount
	350	5111350W	5111350G	20PCS
	400	5111400W	5111400G	20PCS
	450	5111450W	5111450G	20PCS
	500	5111500W	5111500G	20PCS
	550	5111550W	5111550G	20PCS

3	Front Connector	
	Product Code	Amount
	G13501	100SET

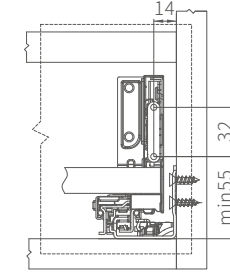
3	Quick-mounting Front Connector	
	Product Code	Amount
	G13502	100SET



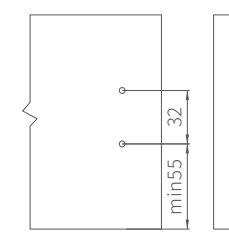
## Space requirements of the inner cabinet installation



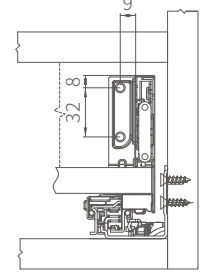
## Front Connector panel mounting size



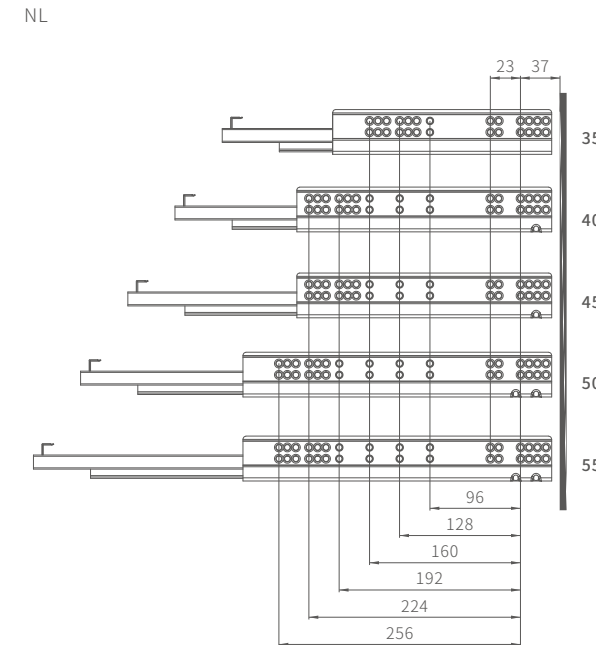
## Panel hole size



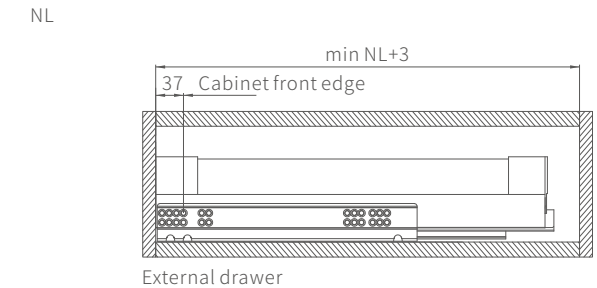
## Back-panel mounting size



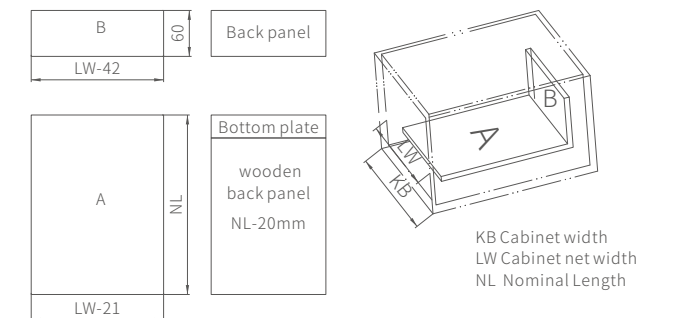
## Cabinet slide mounting size



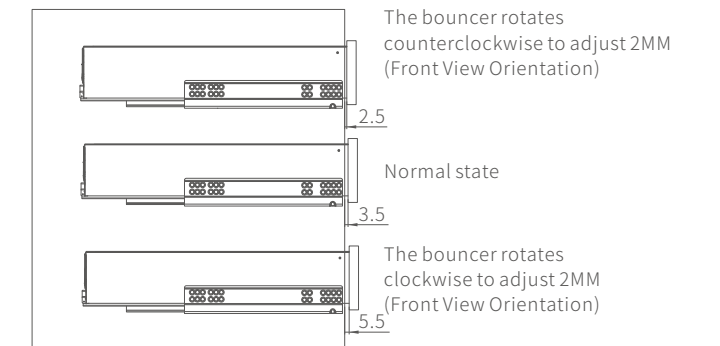
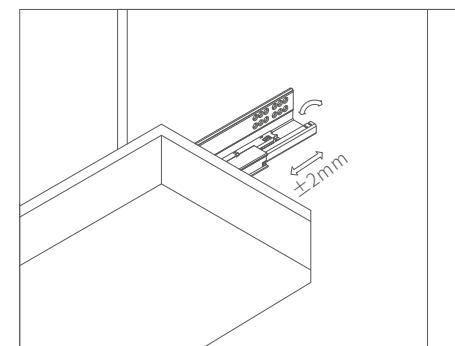
## Slide mounting size



## 16mm (thickness) MDF cutting size



## Push open adjustment



# U-BOX Glass Drawer System

BL5202

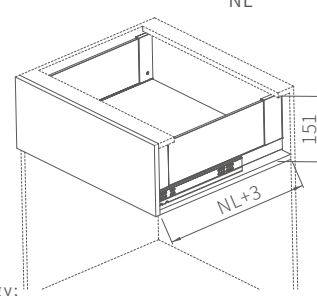
DRAWER SERIES



## Describe

Concealed Full Extension ;  
Full extension synchronous suspension orbit technology;  
8mm design without side panel;  
35 kg Load capacity, long service life;  
It can be adjusted in three dimensions on the side;  
Built-in SCT infinitely variable speed damping technology;  
To ensure the slide has smooth and gentle movement ;  
Equipped with TOS push open technology;

## Space required



## Product information

Nominal Length	Glass Damping Drawer		Glass Push-Open Drawer		Amount
	Silk White	Iron Gray	Silk White	Iron Gray	
350	BL5202-350W	BL5202-350G	BL5212-350W	BL5212-350G	6SET
400	BL5202-400W	BL5202-400G	BL5212-400W	BL5212-400G	6SET
450	BL5202-450W	BL5202-450G	BL5212-450W	BL5212-450G	6SET
500	BL5202-500W	BL5202-500G	BL5212-500W	BL5212-500G	6SET
550	BL5202-550W	BL5202-550G	BL5212-550W	BL5212-550G	6SET

Nominal Length	Glass Damping Drawer (with light)		Glass Push-Open Drawer (with light)		Amount
	Silk white*LED	Iron gray*LED	Silk white*LED	Iron gray*LED	
350	BL5202-350WLED	BL5202-350GLED	BL5212-350WLED	BL5212-350GLED	6SET
400	BL5202-400WLED	BL5202-400GLED	BL5212-400WLED	BL5212-400GLED	6SET
450	BL5202-450WLED	BL5202-450GLED	BL5212-450WLED	BL5212-450GLED	6SET
500	BL5202-500WLED	BL5202-500GLED	BL5212-500WLED	BL5212-500GLED	6SET

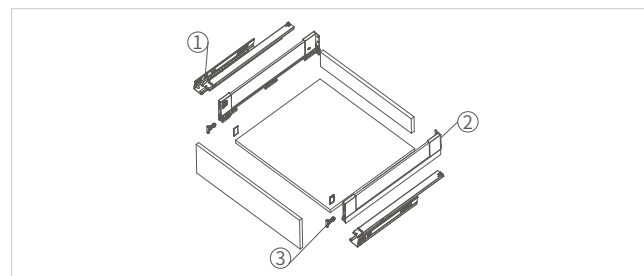
## Contact(Industrial packaging)

1	Concealed full extension sync Slide L/R			
	Nominal length	BL Soft-closing slide	BL Push-open	Amount
	350	510350H	511350H	10SET
	400	510400H	511400H	10SET
	450	510450H	511450H	10SET
	500	510500H	511500H	10SET
	550	510550H	511550H	10SET

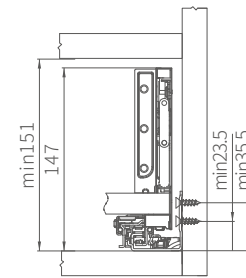
2	U-BOX side panel L/R			
	Nominal length	Silk white L/R	Iron gray L/R	Amount
	350	5112350W	5112350G	20PCS
	400	5112400W	5112400G	20PCS
	450	5112450W	5112450G	20PCS
	500	5112500W	5112500G	20PCS
	550	5112550W	5112550G	20PCS

3	Front Connector	
	Product Code	Amount
	G13501	100SET

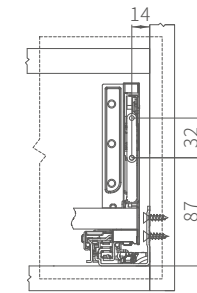
3	Quick-mounting Front Connector	
	Product Code	Amount
	G13502	100SET



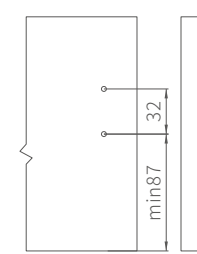
## Space requirements of the inner cabinet installation



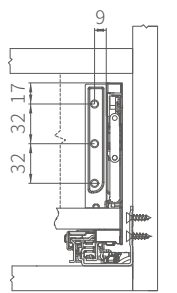
## Front Connector panel mounting size



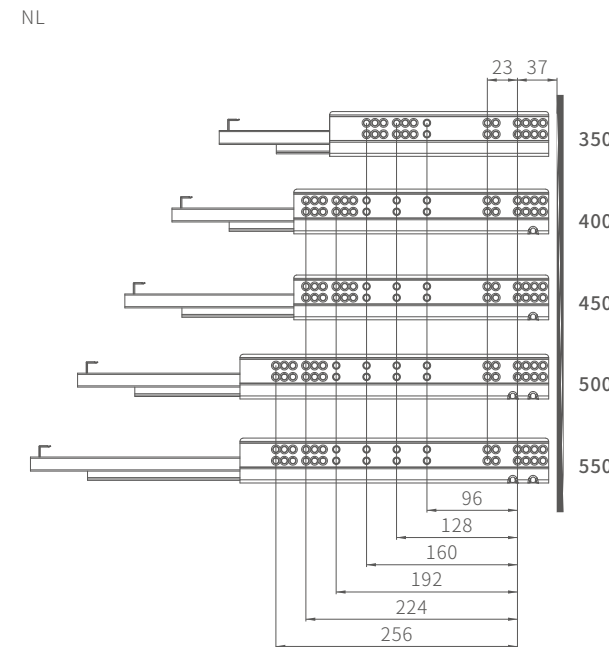
## Panel hole size



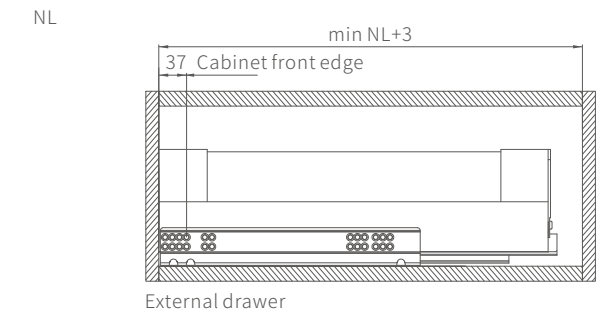
## Back-panel mounting size



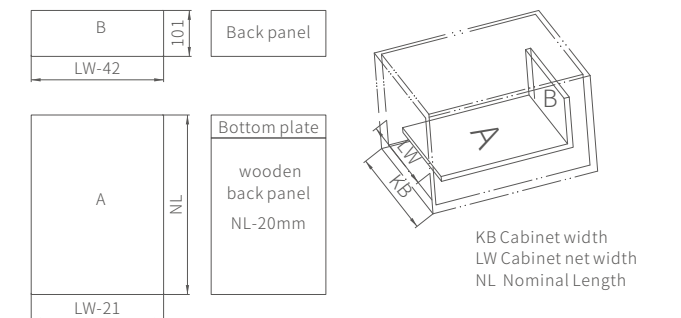
## Cabinet slide mounting size



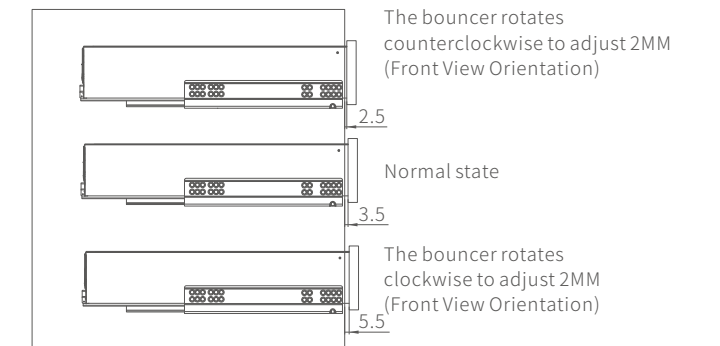
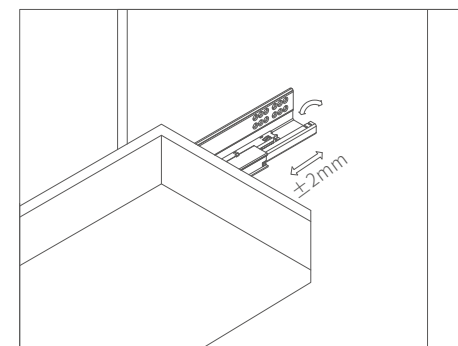
## Slide mounting size



## 16mm (thickness) MDF cutting size



## Push open adjustment





# U-BOX Glass Drawer System

BL5203

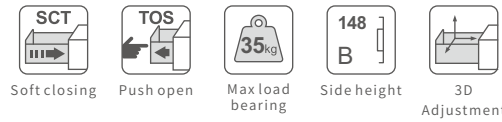
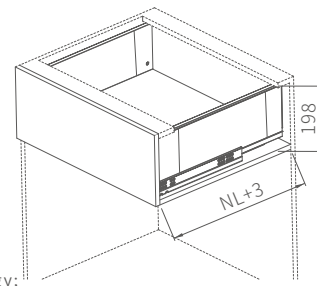
DRAWER SERIES



## Describe

Concealed Full Extension ;  
Full extension synchronous suspension orbit technology;  
8mm design without side panel;  
35 kg Load capacity, long service life;  
It can be adjusted in three dimensions on the side;  
Built-in SCT infinitely variable speed damping technology;  
To ensure the slide has smooth and gentle movement ;  
Equipped with TOS push open technology;

## Space required



## Product information

Nominal Length	Glass Damping Drawer		Glass Push-Open Drawer		Amount
	Silk White	Iron Gray	Silk White	Iron Gray	
350	BL5203-350W	BL5203-350G	BL5213-350W	BL5213-350G	5SET
400	BL5203-400W	BL5203-400G	BL5213-400W	BL5213-400G	5SET
450	BL5203-450W	BL5203-450G	BL5213-450W	BL5213-450G	5SET
500	BL5203-500W	BL5203-500G	BL5213-500W	BL5213-500G	5SET
550	BL5203-550W	BL5203-550G	BL5213-550W	BL5213-550G	5SET

Nominal Length	Glass Damping Drawer (with light)		Glass Push-Open Drawer (with light)		Amount
	Silk white*LED	Iron gray*LED	Silk white*LED	Iron gray*LED	
350	BL5203-350WLED	BL5203-350GLED	BL5213-350WLED	BL5213-350GLED	5SET
400	BL5203-400WLED	BL5203-400GLED	BL5213-400WLED	BL5213-400GLED	5SET
450	BL5203-450WLED	BL5203-450GLED	BL5213-450WLED	BL5213-450GLED	5SET
500	BL5203-500WLED	BL5203-500GLED	BL5213-500WLED	BL5213-500GLED	5SET

## Contact(Industrial packaging)

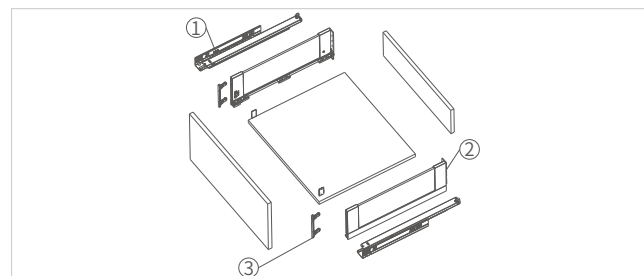
1	Concealed full extension sync Slide L/R			
	Nominal length	BL Soft-closing slide	BL Push-open	Amount
	350	510350H	511350H	10SET
	400	510400H	511400H	10SET
	450	510450H	511450H	10SET
	500	510500H	511500H	10SET
	550	510550H	511550H	10SET

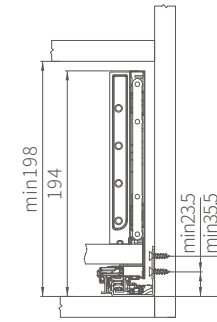
2	U-BOX side panel L/R			
	Nominal length	Silk white L/R	Iron gray L/R	Amount
	350	5113350W	5113350G	20PCS
	400	5113400W	5113400G	20PCS
	450	5113450W	5113450G	20PCS
	500	5113500W	5113500G	20PCS
	550	5113550W	5113550G	20PCS

3	Front Connector	
	Product Code	Amount
	G13701	100SET

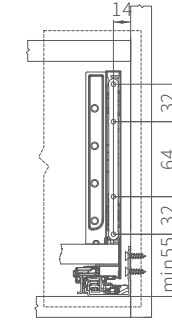
3	Quick-mounting Front Connector	
	Product Code	Amount
	G13702	100SET



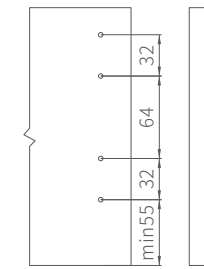
## Space requirements of the inner cabinet installation



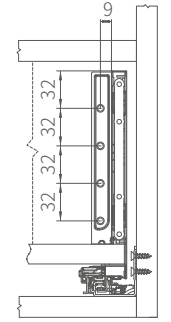
## Front Connector panel mounting size



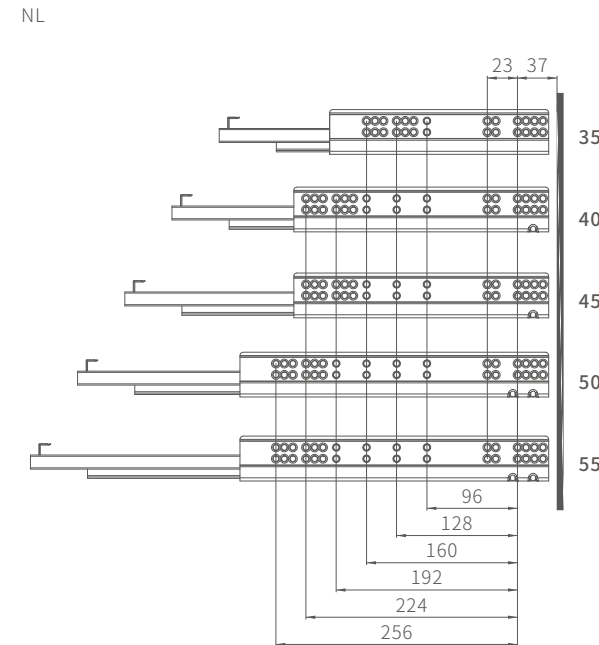
## Panel hole size



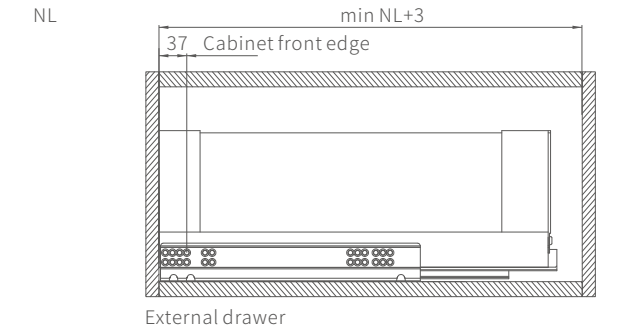
## Back-panel mounting size



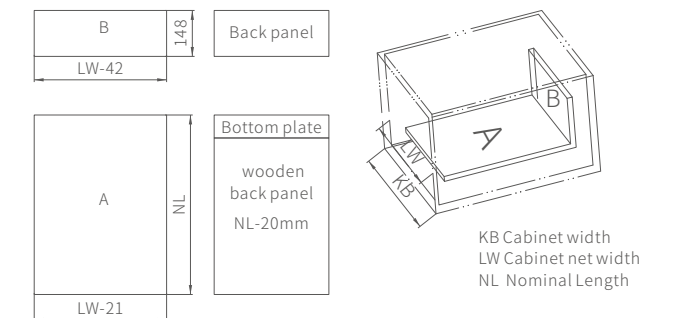
## Cabinet slide mounting size



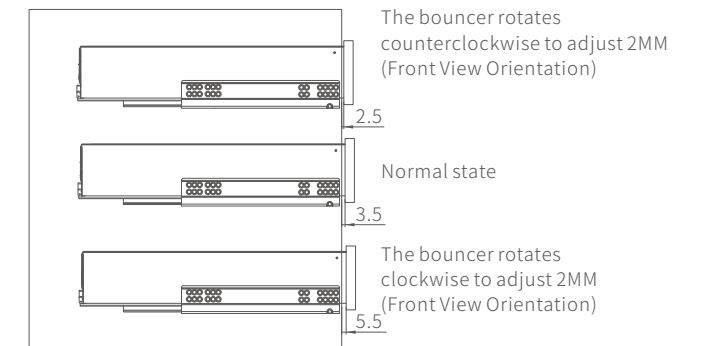
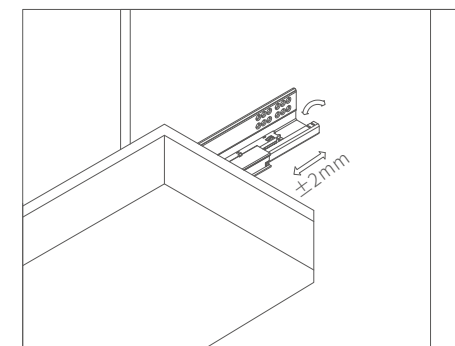
## Slide mounting size



## 16mm (thickness) MDF cutting size



## Push open adjustment



# U-BOX Glass Drawer System

BL5204

DRAWER SERIES

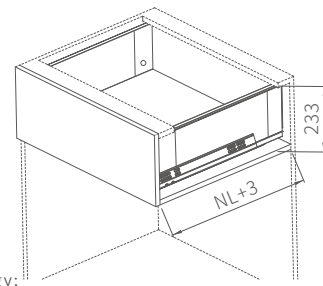


## Describe

Concealed Full Extension ;  
Full extension synchronous suspension orbit technology;  
8mm design without side panel;  
35 kg Load capacity, long service life;  
It can be adjusted in three dimensions on the side;  
Built-in SCT infinitely variable speed damping technology;  
To ensure the slide has smooth and gentle movement ;  
Equipped with TOS push open technology;



## Space required



NL

## Product information

Nominal Length	Glass Damping Drawer		Glass Push-Open Drawer		Amount
	Silk White	Iron Gray	Silk White	Iron Gray	
350	BL5204-350W	BL5204-350G	BL5214-350W	BL5214-350G	4SET
400	BL5204-400W	BL5204-400G	BL5214-400W	BL5214-400G	4SET
450	BL5204-450W	BL5204-450G	BL5214-450W	BL5214-450G	4SET
500	BL5204-500W	BL5204-500G	BL5214-500W	BL5214-500G	4SET
550	BL5204-550W	BL5204-550G	BL5214-550W	BL5214-550G	4SET

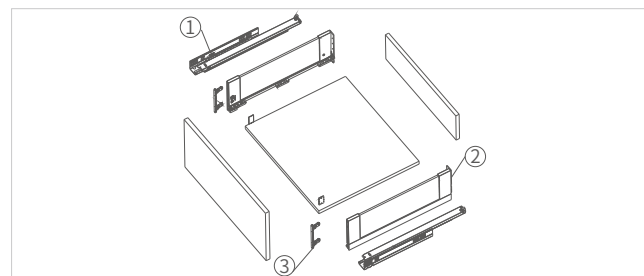
Nominal Length	Glass Damping Drawer (with light)		Glass Push-Open Drawer (with light)		Amount
	Silk white*LED	Iron gray*LED	Silk white*LED	Iron gray*LED	
350	BL5204-350WLED	BL5204-350GLED	BL5214-350WLED	BL5214-350GLED	4SET
400	BL5204-400WLED	BL5204-400GLED	BL5214-400WLED	BL5214-400GLED	4SET
450	BL5204-450WLED	BL5204-450GLED	BL5214-450WLED	BL5214-450GLED	4SET
500	BL5204-500WLED	BL5204-500GLED	BL5214-500WLED	BL5214-500GLED	4SET

## Contact(Industrial packaging)

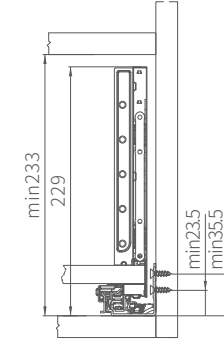
1	Concealed full extension sync Slide L/R				2	U-BOX side panel L/R			
	Nominal length	BL Soft-closing slide	BL Push-open	Amount		Nominal length	Silk white L/R	Iron gray L/R	Amount
	350	510350H	511350H	10SET		350	5114350W	5114350G	20PCS
	400	510400H	511400H	10SET		400	5114400W	5114400G	20PCS
	450	510450H	511450H	10SET		450	5114450W	5114450G	20PCS
	500	510500H	511500H	10SET		500	5114500W	5114500G	20PCS
	550	510550H	511550H	10SET		550	5114550W	5114550G	20PCS

3	Front Connector	
	Product Code	Amount
	G13701	100SET

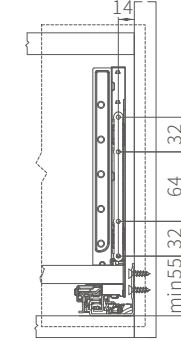
3	Quick-mounting Front Connector	
	Product Code	Amount
	G13702	100SET



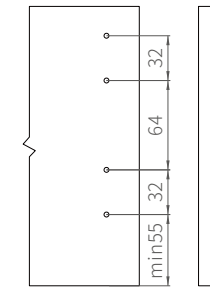
## Space requirements of the inner cabinet installation



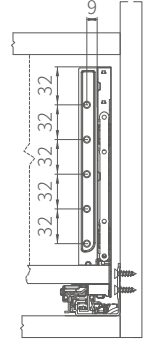
## Front Connector panel mounting size



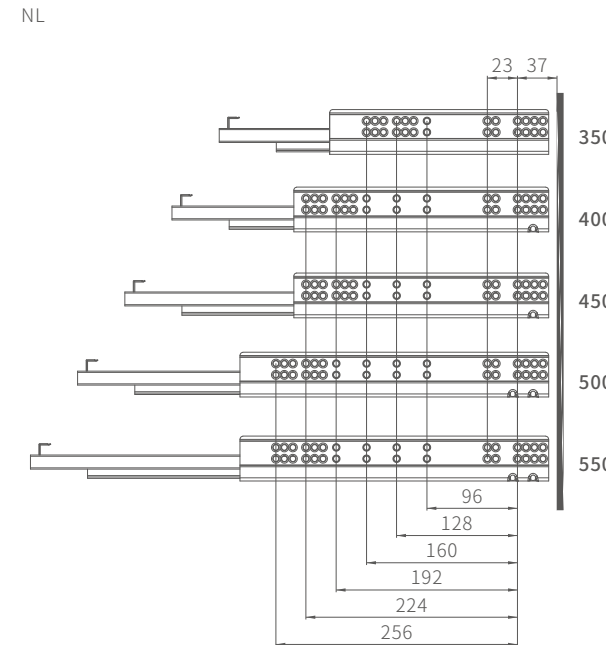
## Panel hole size



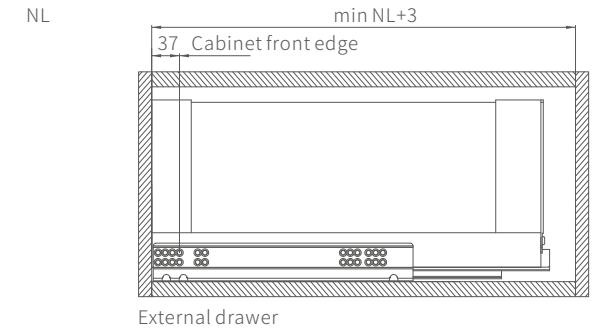
## Back-panel mounting size



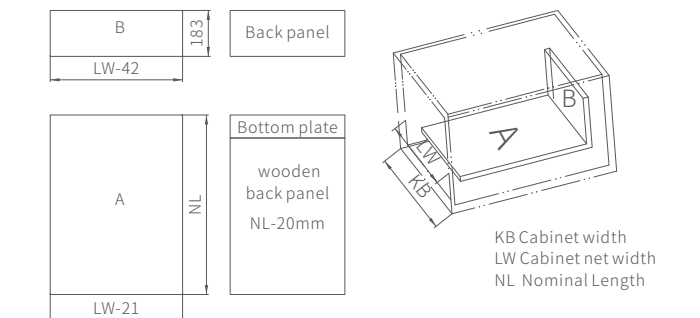
## Cabinet slide mounting size



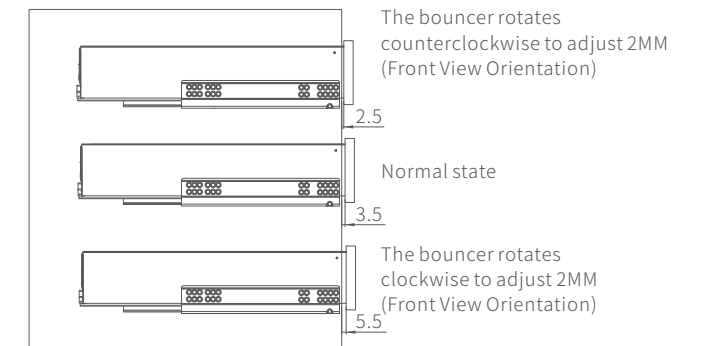
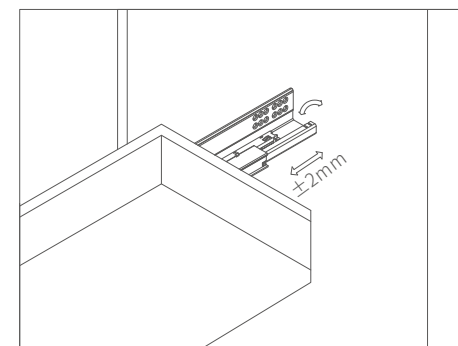
## Slide mounting size



## 16mm (thickness) MDF cutting size



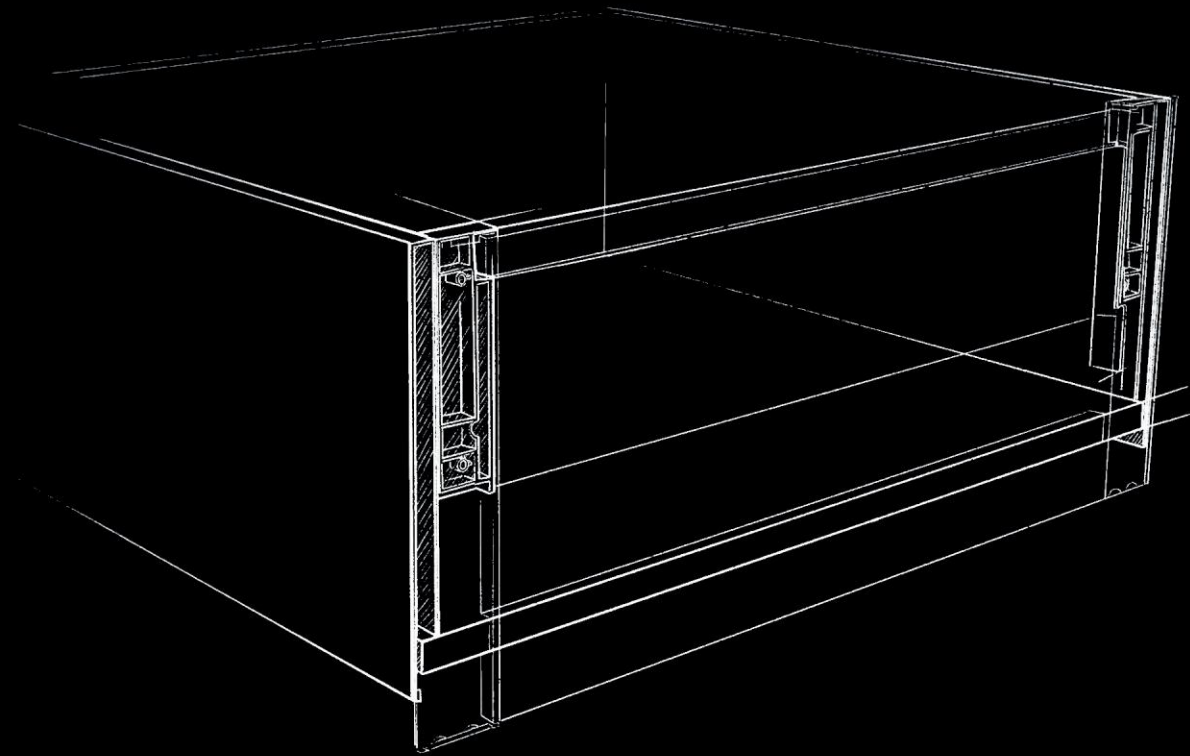
## Push open adjustment





# U-BOX

Inner Box Drawer System



## Multi-layer partition

Internal-type multilateral layer design,  
Flexible to use cabinet space,  
Bring the overall home living experience to be lively and advanced.



BL5101 Inner Box H=60mm



Product Details

Inner Box panel

Cabinet net width LW-100	Nominal length	Silk white	Iron gray	Packaging Quantity
	600mm	B5010600W	B5010600G	20PCS
	1200mm	B5011200W	B5011200G	20PCS

Inner Box Front Connector left/right

Cabinet net width LW-100	Silk white	Iron gray	Packaging Quantity
	53011W	53011G	20SET

BL5103 Inner Box H=148mm



Square tie rod

Free cutting Cabinet net width LW-88	Nominal length	Silk white	Iron gray	Packaging Quantity
	600mm	G320600W	G320600G	20PCS
	1200mm	G3201200W	G3201200G	20PCS

Inner Box panel

Cabinet net width LW-100	Nominal length	Silk white	Iron gray	Packaging Quantity
	600mm	B5010600W	B5010600G	20PCS
	1200mm	B5011200W	B5011200G	20PCS

Inner Box Front Connector L/R

Cabinet net width LW-100	Silk white	Iron gray	Packaging Quantity
	53031W	53031G	20SET

BL5102 Inner Box H=101mm



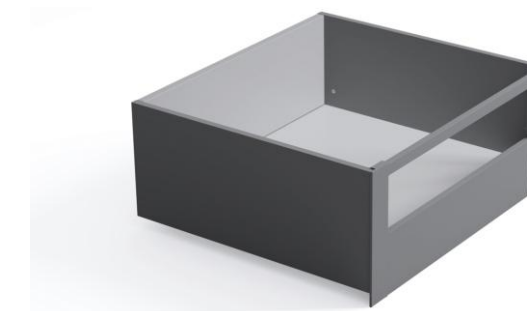
Inner Box panel

Cabinet net width LW-100	Nominal length	Silk white	Iron gray	Packaging Quantity
	600mm	B5020600W	B5020600G	20PCS
	1200mm	B5021200W	B5021200G	20PCS

Inner Box Front Connector L/R

Cabinet net width LW-100	Silk white	Iron gray	Packaging Quantity
	53021W	53021G	20SET

BL5104 Inner Box H=183mm



Square tie rod

Free cutting Cabinet net width LW-88	Nominal length	Silk white	Iron gray	Packaging Quantity
	600mm	G320600W	G320600G	20PCS
	1200mm	G3201200W	G3201200G	20PCS

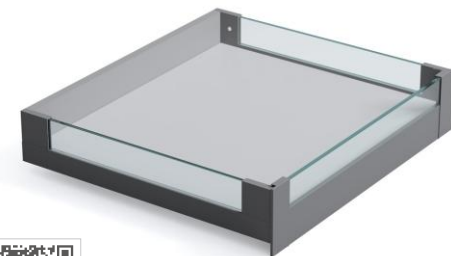
Inner Box panel

Cabinet net width LW-100	Nominal length	Silk white	Iron gray	Packaging Quantity
	600mm	B5010600W	B5010600G	20PCS
	1200mm	B5011200W	B5011200G	20PCS

Inner Box Front Connector L/R

Cabinet net width LW-100	Silk white	Iron gray	Packaging Quantity
	53041W	53041G	20SET

BL5201 Inside the glass H=60mm




Product Details

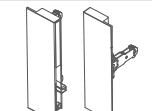
Internal box :high glass panels

 Glass thickness: 8mm	Applicable cabinet width	Transparency	Packaging Quantity
	600mm	BL480479T	20PCS
	800mm	BL480679T	20PCS
	900mm	BL480779T	20PCS

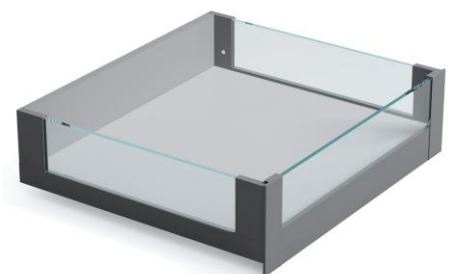
Inner Box panel

 Cabinet net width LW-100	Nominal length	Silk white	Iron gray	Packaging Quantity
	600mm	G1330600W	G1330600G	20PCS
	1200mm	G1331200W	G1331200G	20PCS

Inner Box Front Connector L/R

	Silk white	Iron gray	Packaging Quantity
	53011W	53011G	20SET


BL5202 Inside the glass H=102mm



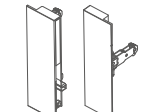
Internal box :high glass panels

 Glass thickness: 8mm	Applicable cabinet width	Transparency	Packaging Quantity
	600mm	BL8800479T	20PCS
	800mm	BL8800679T	20PCS
	900mm	BL8800779T	20PCS

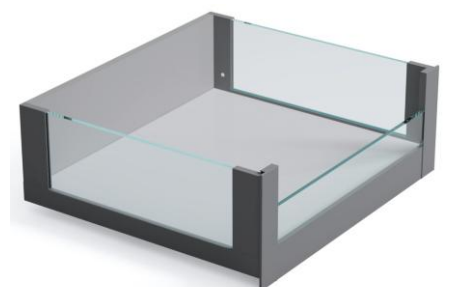
Inner Box panel

 Cabinet net width LW-100	Nominal length	Silk white	Iron gray	Packaging Quantity
	600mm	G1330600W	G1330600G	20PCS
	1200mm	G1331200W	G1331200G	20PCS

Inner Box Front Connector L/R

	Silk white	Iron gray	Packaging Quantity
	53022W	53022G	20SET


BL5203 Half glass Inside the glass H=148mm



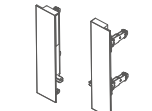
Internal box :high glass panels

 Glass thickness: 8mm	Applicable cabinet width	Transparency	Packaging Quantity
	600mm	BL670479T	20PCS
	800mm	BL670679T	20PCS
	900mm	BL670779T	20PCS

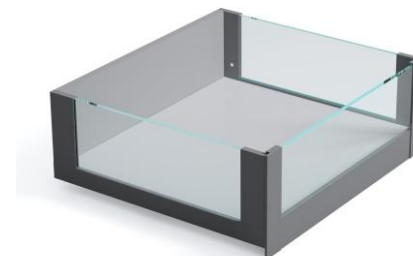
Inner Box panel

 Cabinet net width LW-100	Nominal length	Silk white	Iron gray	Packaging Quantity
	600mm	G1330600W	G1330600G	20PCS
	1200mm	G1331200W	G1331200G	20PCS


Inner Box Front Connector L/R

	Silk white	Iron gray	Packaging Quantity
	53033W	53033G	20SET


BL5203 Inside the glass H=148mm



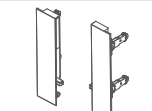
Internal box :high glass panels

 Glass thickness: 8mm	Applicable cabinet width	Transparency	Packaging Quantity
	600mm	BL1350479T	20PCS
	800mm	BL1350679T	20PCS
	900mm	BL1350779T	20PCS

Inner Box panel

 Cabinet net width LW-100	Nominal length	Silk white	Iron gray	Packaging Quantity
	600mm	G1330600W	G1330600G	20PCS
	1200mm	G1331200W	G1331200G	20PCS


Inner Box Front Connector L/R

	Silk white	Iron gray	Packaging Quantity
	53032W	53032G	20SET


BL5204 Half glass Inside the glass H=183mm



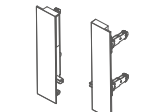
Internal box :high glass panels

 Glass thickness: 8mm	Applicable cabinet width	Transparency	Packaging Quantity
	600mm	BL1020479T	20PCS
	800mm	BL1020679T	20PCS
	900mm	BL1020779T	20PCS

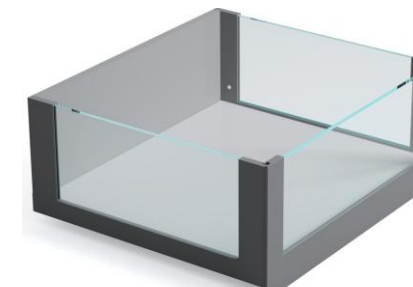
Inner Box panel

 Cabinet net width LW-100	Nominal length	Silk white	Iron gray	Packaging Quantity
	600mm	G1330600W	G1330600G	20PCS
	1200mm	G1331200W	G1331200G	20PCS


Inner Box Front Connector L/R

	Silk white	Iron gray	Packaging Quantity
	53043W	53043G	20SET


BL5204 Inside the glass H=183mm



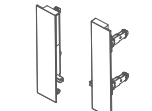
Internal box :high glass panels

 Glass thickness: 8mm	Applicable cabinet width	Transparency	Packaging Quantity
	600mm	BL1700479T	20PCS
	800mm	BL1700679T	20PCS
	900mm	BL1700779T	20PCS

Inner Box panel

 Cabinet net width LW-100	Nominal length	Silk white	Iron gray	Packaging Quantity
	600mm	G1330600W	G1330600G	20PCS
	1200mm	G1331200W	G1331200G	20PCS

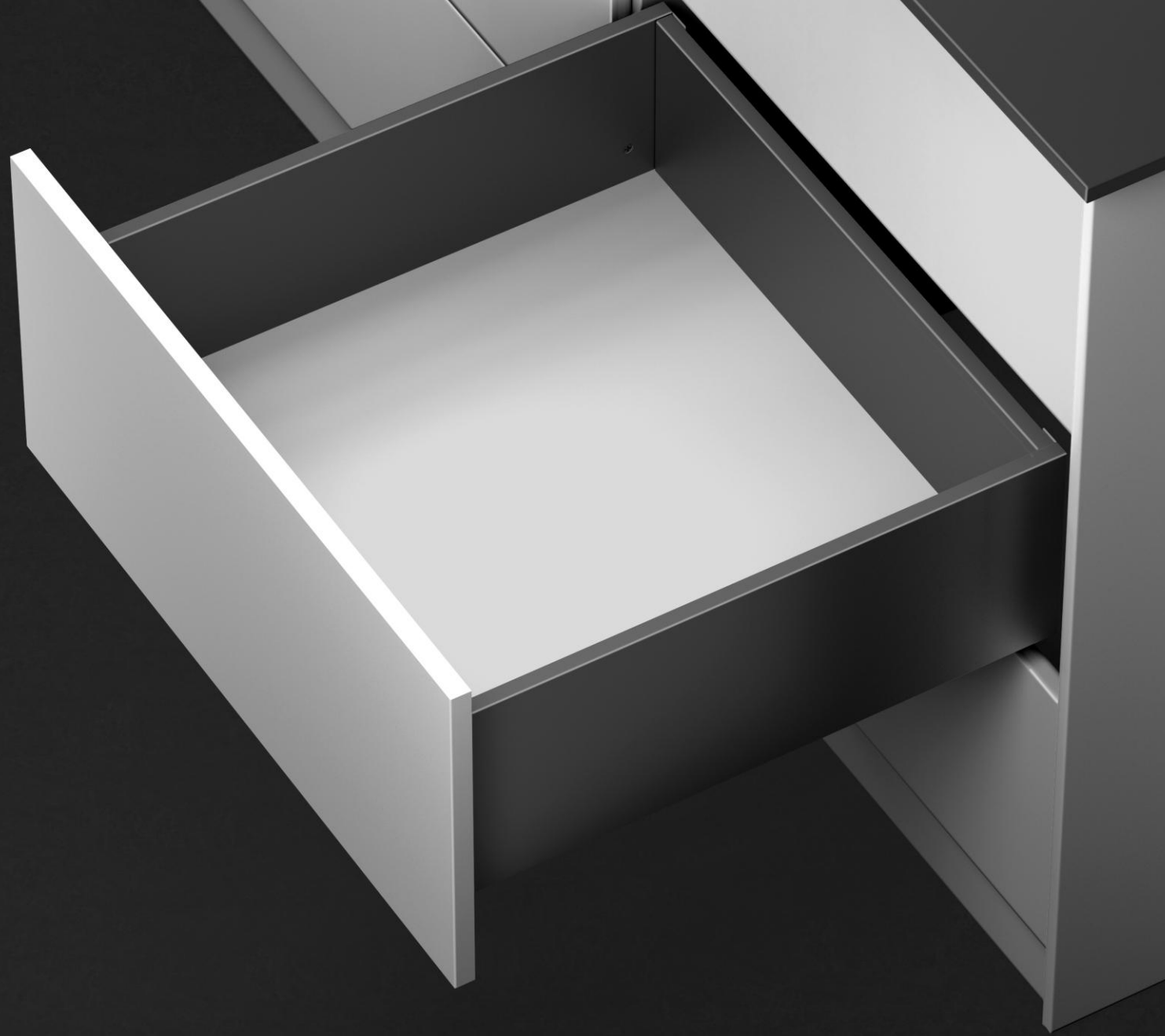
Inner Box Front Connector L/R

	Silk white	Iron gray	Packaging Quantity
	53042W	53042G	20SET

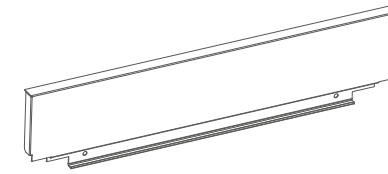


# U-BOX

## Steel Back Panel

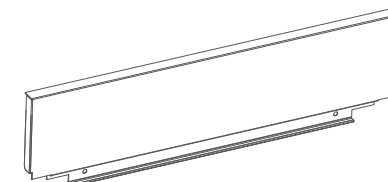


### BL5201 H76mm Steel Back Panel



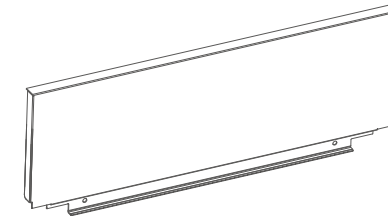
Cabinet width	Silk white	Iron gray	Amount
300	BL52010221W	BL52010221G	20PCS
400	BL52010321W	BL52010321G	20PCS
500	BL52010421W	BL52010421G	20PCS
600	BL52010521W	BL52010521G	20PCS
700	BL52010621W	BL52010621G	20PCS
800	BL52010721W	BL52010721G	20PCS
1000	BL52010921W	BL52010921G	20PCS
1200	BL52011021W	BL52011021G	20PCS

### BL5202 H117mm Steel Back Panel



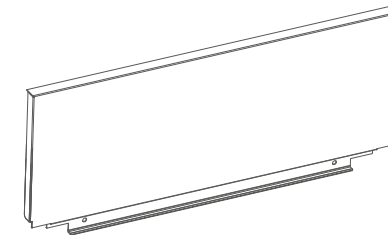
Cabinet width	Silk white	Iron gray	Amount
300	BL52020221W	BL52020221G	20PCS
400	BL52020321W	BL52020321G	20PCS
500	BL52020421W	BL52020421G	20PCS
600	BL52020521W	BL52020521G	20PCS
700	BL52020621W	BL52020621G	20PCS
800	BL52020721W	BL52020721G	20PCS
1000	BL52020921W	BL52020921G	20PCS
1200	BL52021021W	BL52021021G	20PCS

### BL5203 H164mm Steel Back Panel



Cabinet width	Silk white	Iron gray	Amount
300	BL52030221W	BL52030221G	20PCS
400	BL52030321W	BL52030321G	20PCS
500	BL52030421W	BL52030421G	20PCS
600	BL52030521W	BL52030521G	20PCS
700	BL52030621W	BL52030621G	20PCS
800	BL52030721W	BL52030721G	20PCS
1000	BL52030921W	BL52030921G	20PCS
1200	BL52031021W	BL52031021G	20PCS

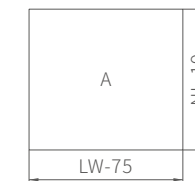
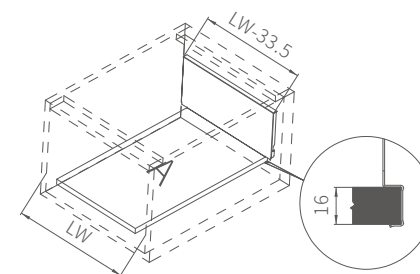
### BL5204 H199mm Steel Back Panel



Cabinet width	Silk white	Iron gray	Amount
300	BL52040221W	BL52040221G	20PCS
400	BL52040321W	BL52040321G	20PCS
500	BL52040421W	BL52040421G	20PCS
600	BL52040521W	BL52040521G	20PCS
700	BL52040621W	BL52040621G	20PCS
800	BL52040721W	BL52040721G	20PCS
1000	BL52040921W	BL52040921G	20PCS
1200	BL52041021W	BL52041021G	20PCS



Product Details



Product information:  
 LW; Cabinet Net Width  
 Base Panel Length = Nominal Length -19mm  
 Back Panel Length = Cabinet Net Width (LW) -33.5 ± 0.5

LW Cabinet Net Width  
 NL Nominal Length

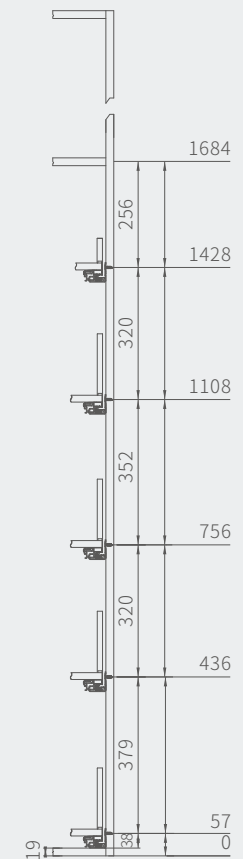


# U-BOX

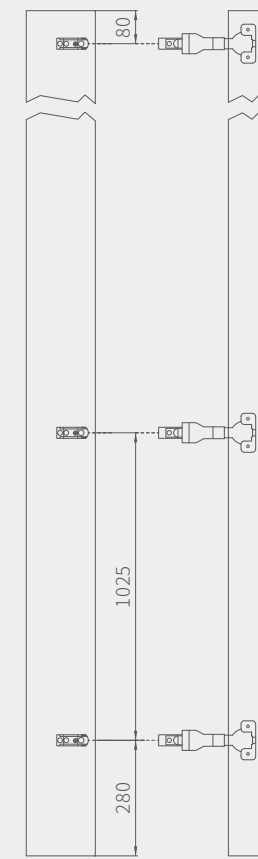
## Tower Cabinet



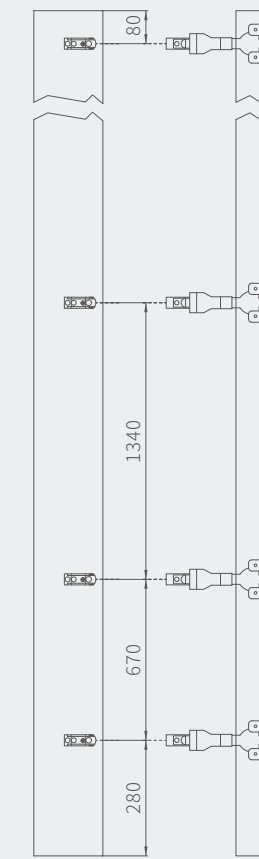
Inner installation position of the cabinet



Drilling hole size - panel



Drilling hole size - panel



Describe

"Move" the storage room into the kitchen; Vertical multilateral layer partitions, Each layer can be pulled out individually; Storage space is fully utilized; Full extension design, All the items are on display, and easy to reach from three different directions; Flexible internal structure, Make the placement of each food reasonable and orderly; Width, height and depth can be adjusted flexibly according to the desired storage space.

### Product information

#### Recommended application for the inner-box drawer

BL5101 Inner Box H=60mm*1SET	109
BL5103 Inner Box H=148mm*4SET	110

#### Recommended application for the inner-box glass drawers

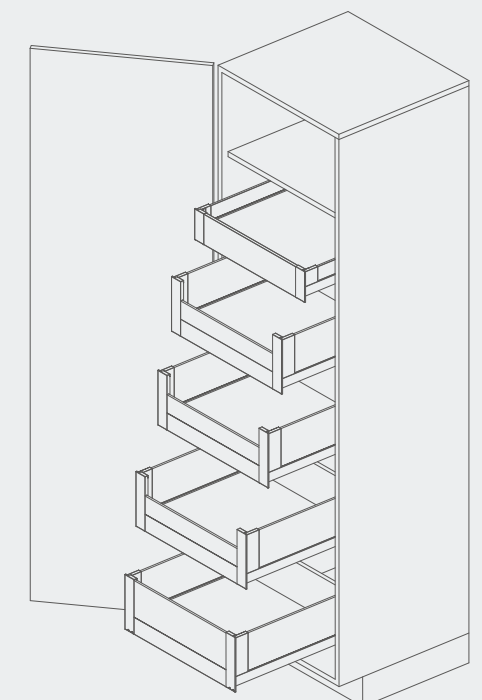
BL5201 Inner-box glass drawers H=60mm*1SET	111
BL5203 Half block Inner-box glass drawers H=148mm*4SET	111
BL5203 Inner-box glass drawers H=148mm*4SET	112

#### Recommended application for the Hinge

GT165 Special degree Soft-closing Hinges	069
--	-----



Product Details



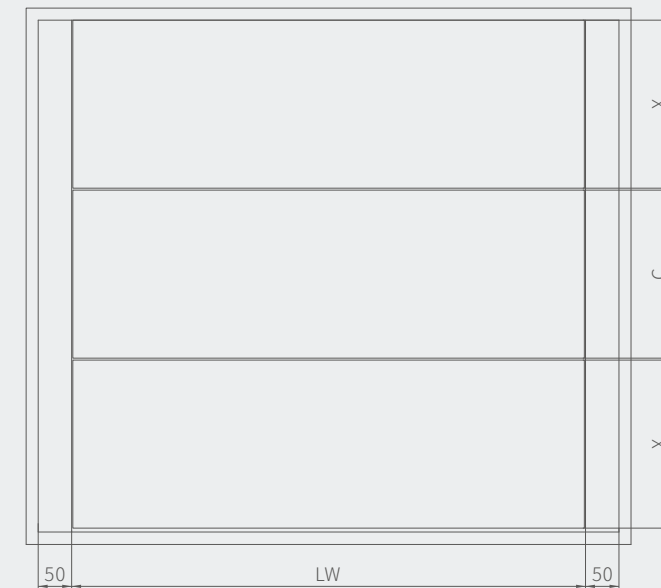


# U-BOX

Wardrobe



## Space requirements of the inner cabinet installation



Installation height	X(mm)
M	112
K	150
B	198
D	233

### Product information

#### Recommended application for the inner-box drawer

BL5101 Inner Box H=60mm*1SET	089
BL5103 Inner Box H=148mm*4SET	090

#### Recommended application for the inner-box glass drawers

BL5201 Inner-box glass drawers H=60mm*1SET	091
BL5203 Half block Inner-box glass drawers H=148mm*4SET	091
BL5203 Inner-box glass drawers H=148mm*4SET	092

#### Recommended application for the Hinge

KL72 Aluminum frame hinge	049
---------------------------	-----



Product Details

### Describe

Out of the frame and refuse to be cookie-cutter;  
Glass side transparency design, easy to take, needn't disrupt the order of the item;  
Minimalist and elegance, from the inside out, it is clean and neat, with graceful experience.  
Slim and Light Design, it is more flexible, and good to expand the storage space;  
Slim line sense, smooth edging, your touch will bring you advanced sense;  
The use of high-quality slide, smooth pushing and pulling, brings you a pleasant and safe experience for each opening;  
The noiseless Soft-closing system is used to say goodbye to noises and make the closure gentle and quiet.

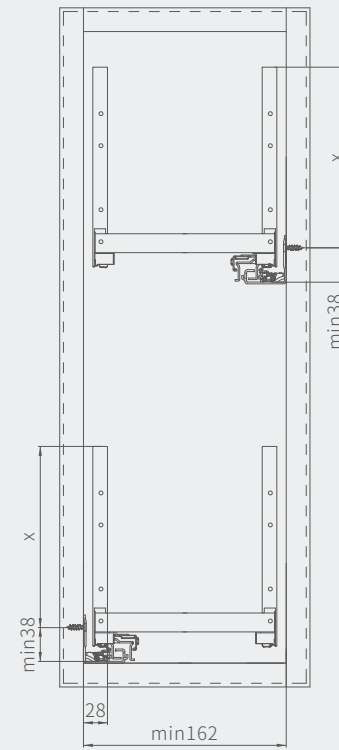


# U-BOX

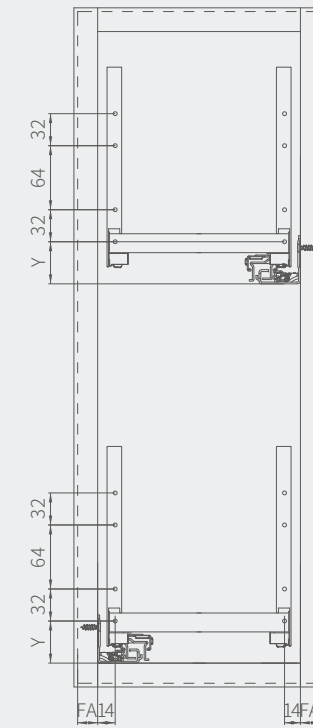
Storage Narrow cabinet



Space requirements of the inner cabinet installation    Drilling hole size - panel



Installation height	X(mm)
M	110
K	151
B	198
D	233



Installation height	Low draw side panel height	Y(mm)
M	M	55
K	K	87
B	B	55
D	D	55

Product information

Drawer Recommended Apps

BL5101	Drawer H=60mm	069
BL5102	Drawer H=101mm	071
BL5103	Drawer H=148mm	073
BL5104	Drawer H=183mm	075

Recommended applications for glass drawers

BL5201	Glass drawer H=60mm	079
BL5202	Glass drawer H=101mm	081
BL5203	Glass drawer H=148mm	083
BL5204	Glass drawer H=183mm	085

Describe

Don't waste every inch of space;  
 Even the narrowest gap can be fully utilized;  
 Flexible creating storage space for bottles, cutting boards, baking pans, etc.;  
 Full-extension drawer for easy to reach objects;  
 Diagonal slide can ensure high stability of the drawer;  
 Suitable for cabinet widths above 200mm;  
 The load-bearing capacity is up to 35kg.



Product Details



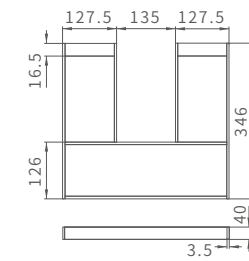
# U-BOX

## Bathroom Cabinet



GR236001 U-Type Sink

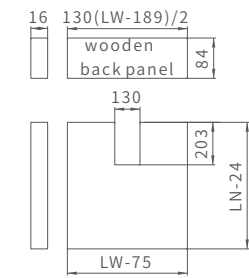
Back panel, Bottom plate size (mm)



Color	Product Code	Amount
Light Gray	GR246001G	20PCS
Silk white	GR246001W	20PCS

GR236003 U-Type Sink

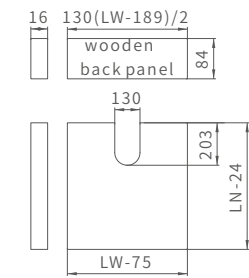
Back panel, Bottom plate size (mm)



Color	Product Code	Amount
Light Gray	GR236003G	20PCS
Silk white	GR236003W	20PCS

GR236004 U-Type Sink

Back panel, Bottom plate size (mm)



Color	Product Code	Amount
Light Gray	GR236004G	20PCS
Silk white	GR236004W	20PCS

### Product information

#### Drawer Recommended Apps

BL5101 Drawer H=60mm	069
BL5102 Drawer H=101mm	071

#### Recommended applications for glass drawers

BL5201 Glass drawer H=60mm	079
BL5202 Glass drawer H=101mm	081

### Describe

giving a new space under the sink, so that all washing supplies can be placed nearby and easy to reach;  
Create plenty of storage space give you a clean and tidy table top.

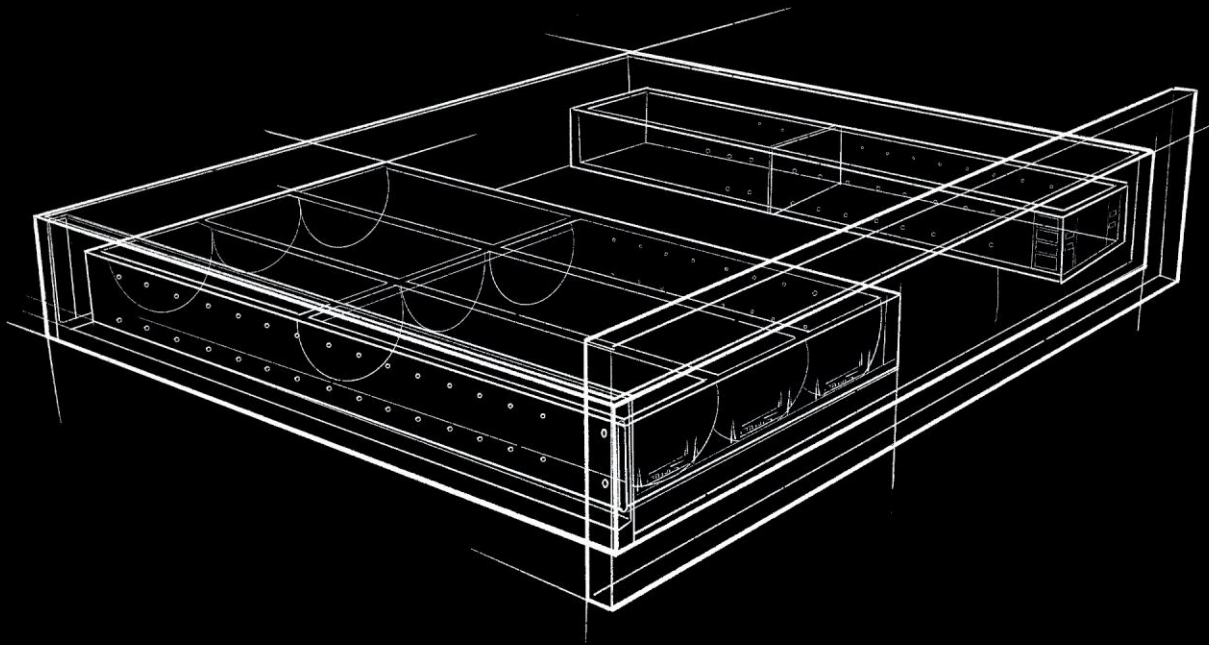


Product Details



# U-BOX

Storage System



## Full of style

Delicate and bright edges,  
Shaping the exquisite and elegant home furnishing a casual furnishing,  
Full of style (stylish).

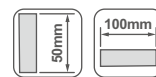




5311 Storage system



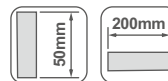
Nominal length	Silk white	Iron gray	Amount
350	5311350W	5311350G	6SET
400	5311400W	5311400G	6SET
450	5311450W	5311450G	6SET
500	5311500W	5311500G	6SET
550	5311550W	5311550G	6SET



5312 Storage system



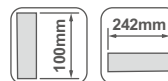
Nominal length	Silk white	Iron gray	Amount
350	5312350W	5312350G	6SET
400	5312400W	5312400G	6SET
450	5312450W	5312450G	6SET
500	5312500W	5312500G	6SET
550	5312550W	5312550G	6SET



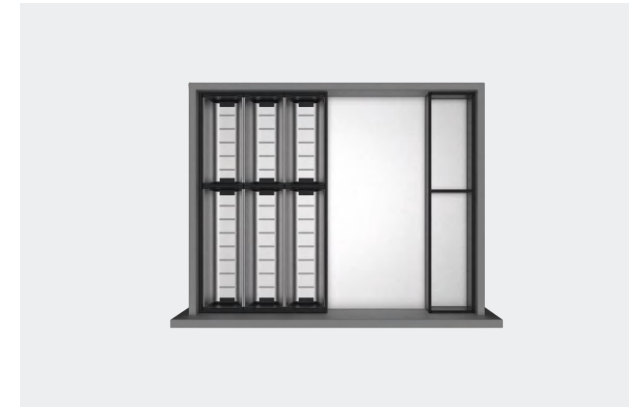
5322 Stainless steel cutlery box



Nominal length	Silk white	Iron gray	Amount
450	5321450W	5321450G	6SET
500	5322500W	5322500G	6SET



Recommended collocation



Nominal length	Product Code	Cabinet width
450mm	5322450X1	400-500mm
500mm	5322500X1	400-500mm



Nominal length	Product Code	Cabinet width
450mm	5322450X1+5311450X1	600-800mm
500mm	5322500X1+5311500X1	600-800mm

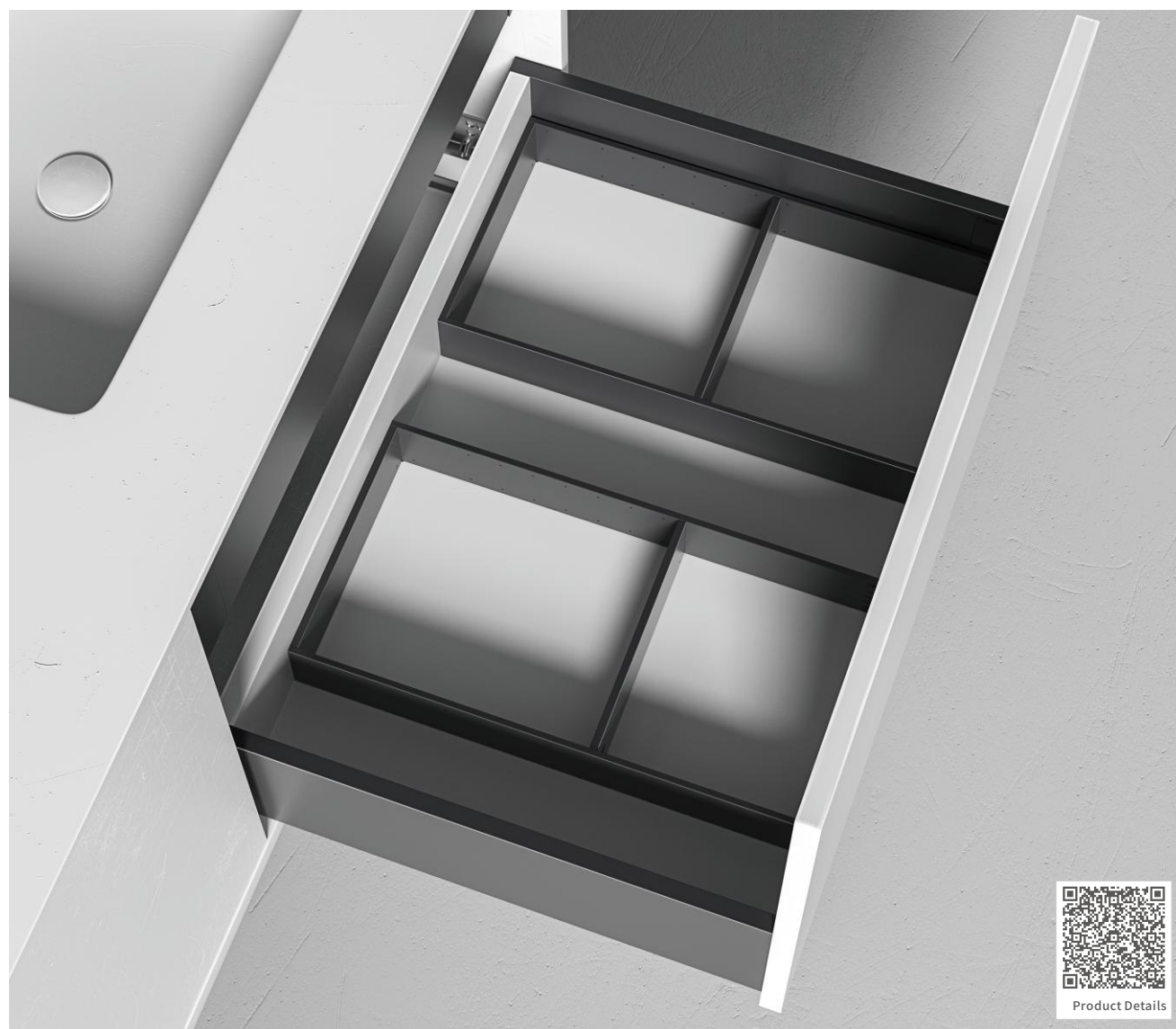


Nominal length	Product Code	Cabinet width
450mm	5322450X2+5311450X1	900-1000mm
500mm	5322500X2+5311500X1	900-1000mm



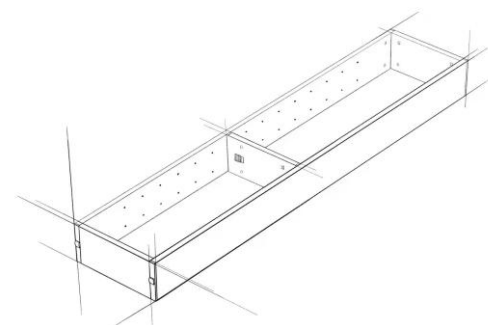
Nominal length	Product Code	Cabinet width
450mm	5322450X2+5312450X1	1200mm
500mm	5322500X2+5312500X1	1200mm





**Product Description**

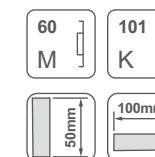
The organizer is reasonable and orderly. Every item is properly and tidy placed. Exquisite craftsmanship, unconventional design, naturally exudes the elegant temperament of the space. Adjustable divider, breaking its fixed rules, can freely adjust the size of the separation space, so that the storage is flexible and changeable.



**5311 Storage compartment**



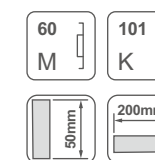
Nominal length	Silk white	Iron gray	Amount
350	5311350W	5311350G	6SET
400	5311400W	5311400G	6SET
450	5311450W	5311450G	6SET
500	5311500W	5311500G	6SET
550	5311550W	5311550G	6SET



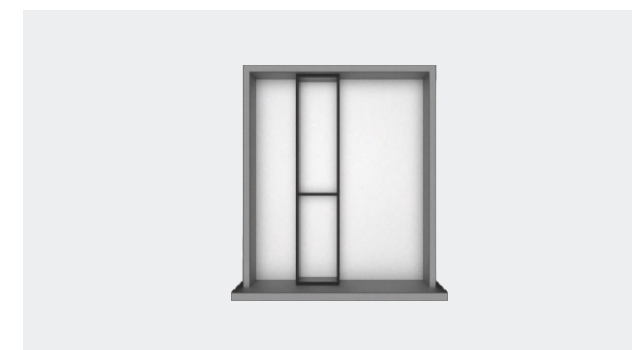
**5312 Storage compartment**



Nominal length	Silk white	Iron gray	Amount
350	5312350W	5312350G	6SET
400	5312400W	5312400G	6SET
450	5312450W	5312450G	6SET
500	5312500W	5312500G	6SET
550	5312550W	5312550G	6SET



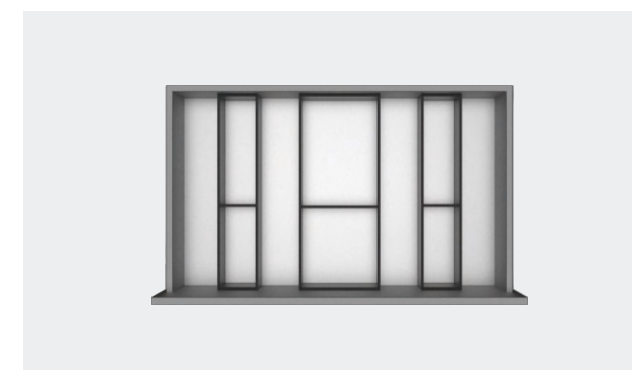
**Recommended collocation**



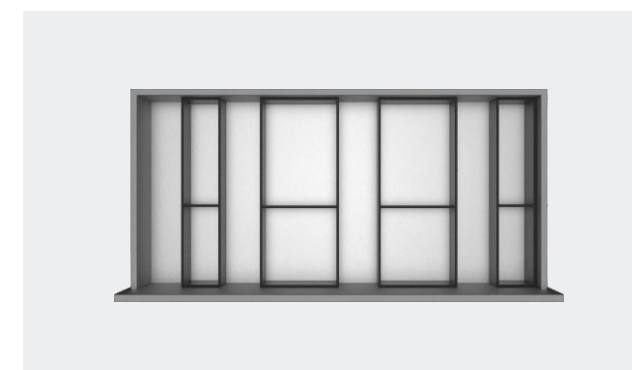
Nominal length	Product Code	Cabinet width
350-550mm	5311XXX*1	400-500mm



Nominal length	Product Code	Cabinet width
350-550mm	5311XXX*1+5312XXX*1	600-700mm



Nominal length	Product Code	Cabinet width
350-550mm	5311XXX*2+5312XXX*1	800-900mm



Nominal length	Product Code	Cabinet width
350-550mm	5311XXX*2+5312XXX*2	1000-1200mm



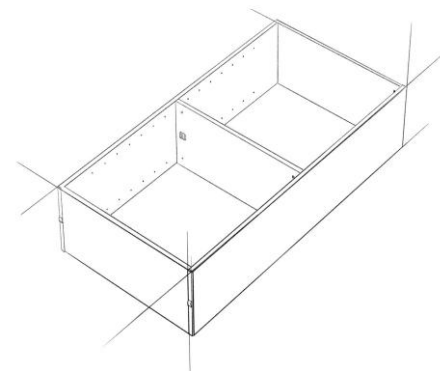


Product Details



**Product Description**

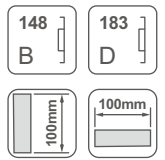
The organizer is reasonable and orderly. Every item is properly and tidy placed. Exquisite craftsmanship, unconventional design, naturally exudes the elegant temperament of the space. Adjustable divider, breaking its fixed rules, can freely adjust the size of the separation space, so that the storage is flexible and changeable.



**5313 Storage compartment**



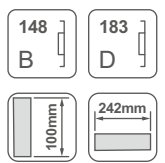
Nominal length	Silk white	Iron gray	Amount
350	5313350W	5313350G	6SET
400	5313400W	5313400G	6SET
450	5313450W	5313450G	6SET
500	5313500W	5313500G	6SET
550	5313550W	5313550G	6SET



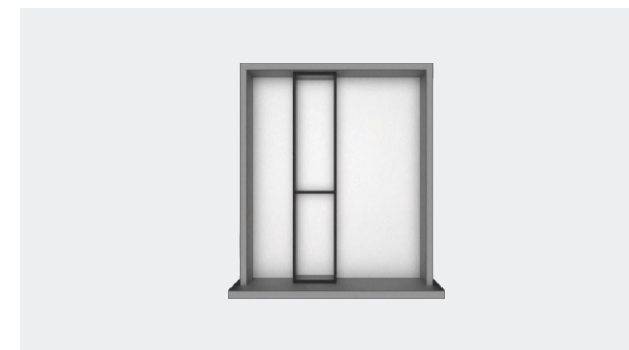
**531 Storage compartment**



Nominal length	Silk white	Iron gray	Amount
350	5314350W	5314350G	6SET
400	5314400W	5314400G	6SET
450	5314450W	5314450G	6SET
500	5314500W	5314500G	6SET
550	5314550W	5314550G	6SET



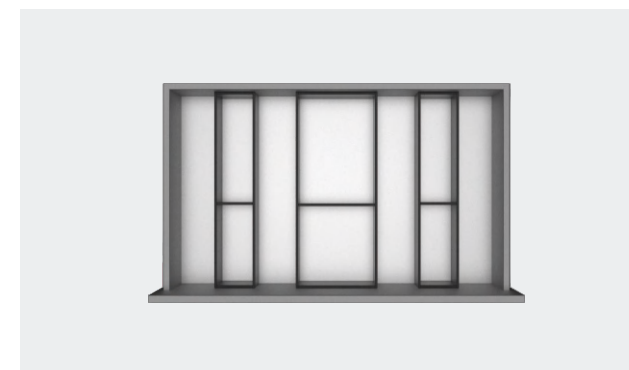
**Recommended collocation**



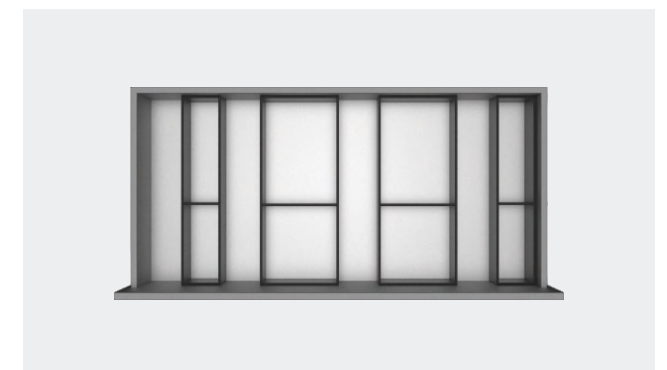
Nominal length	product code	Cabinet width
350-550mm	5313XXX*1	400-500mm



Nominal length	Product Code	Cabinet width
350-550mm	5313XXX*1+5314XXX*1	600-700mm



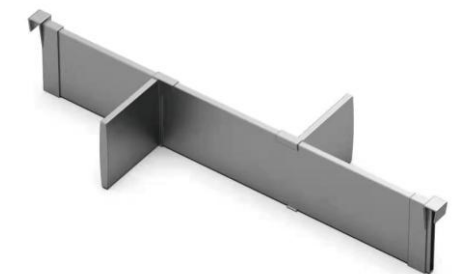
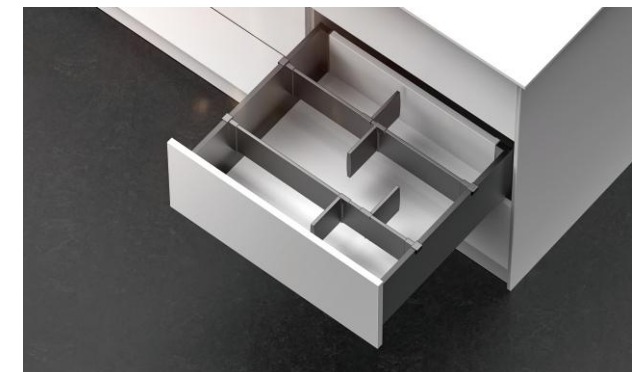
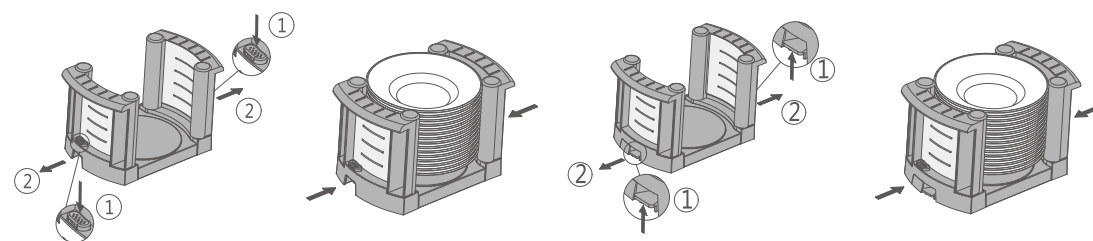
Nominal length	Product Code	Cabinet width
350-550mm	5313XXX*2+5314XXX*1	800-900mm



Nominal length	Product Code	Cabinet width
350-550mm	5313XXX*2+5314XXX*2	1000-1200mm



Product Code	Packaging Quantity	KBCabinet width	The amount of Plate Holder
GR2361	10PCS	400-600MM	2PCS
		800-900MM	4PCS
		1000-1200MM	6PCS



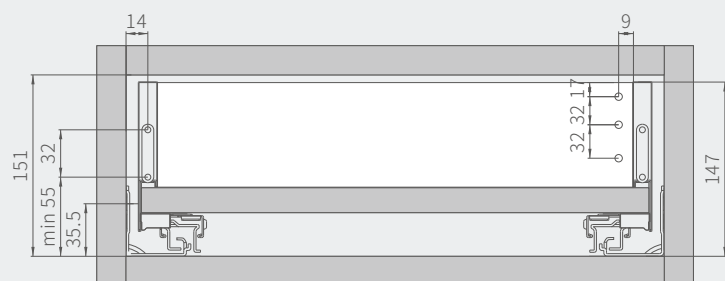
Product Code	Product name	Specification	Color	Packaging Quantity	Product portfolio
G130600G	Divider	600mm	Iron gray	20PCS	Crop sizeLW-48mm
G131200G	Divider	1200mm	Iron gray	20PCS	Crop sizeLW-48mm
G130600W	Divider	600mm	Silk white	20PCS	Crop sizeLW-48mm
G131200W	Divider	1200mm	Silk white	20PCS	Crop sizeLW-48mm
G13001G	Divider connectors		Iron gray	20PCS	
G13001W	Divider connectors		Silk white	20PCS	
G13002G	Riser		Iron gray	20PCS	
G13002W	Riser		Silk white	20PCS	



Slide mounting size



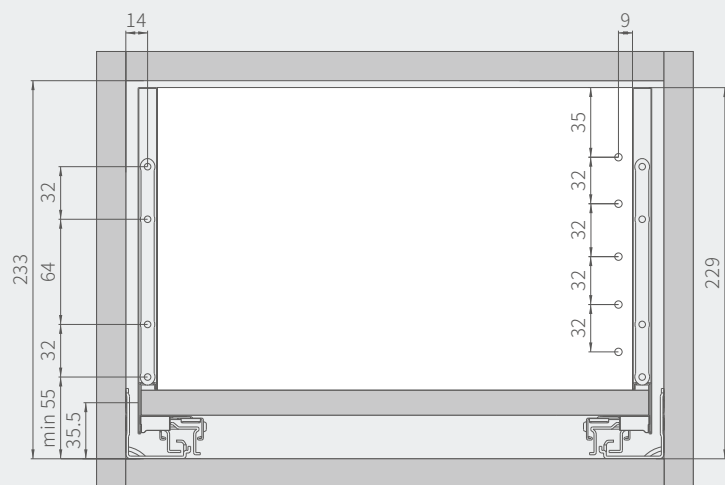
Side height



Side height

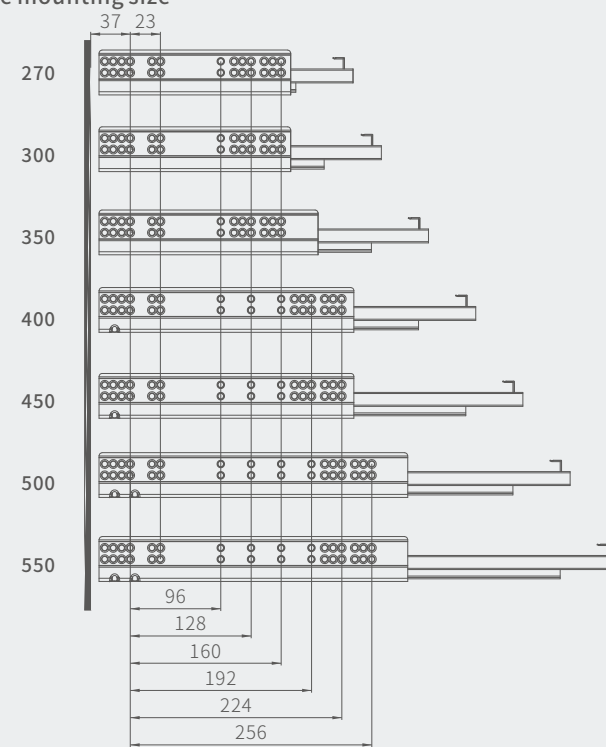


Side height



Side height

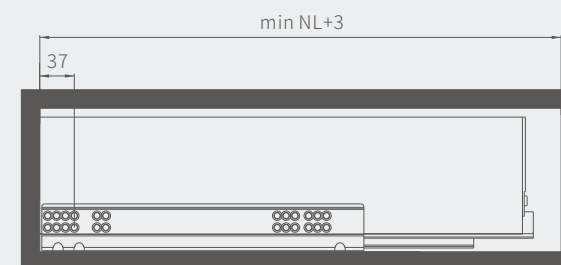
Cabinet slide mounting size



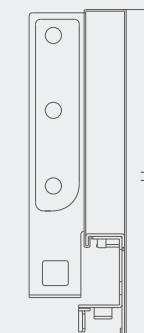
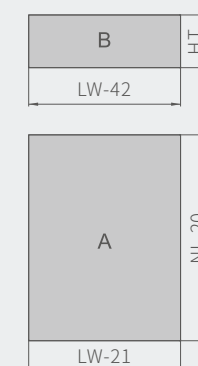
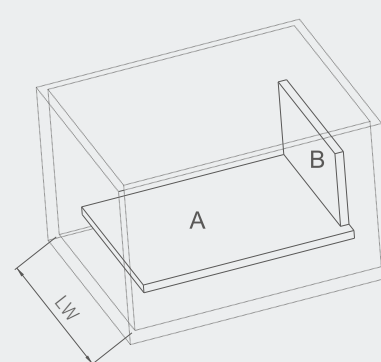
Max load bearing 35kg SCT TOS

Side height 60 M 101 K 148 B 183 D

Slide mounting size

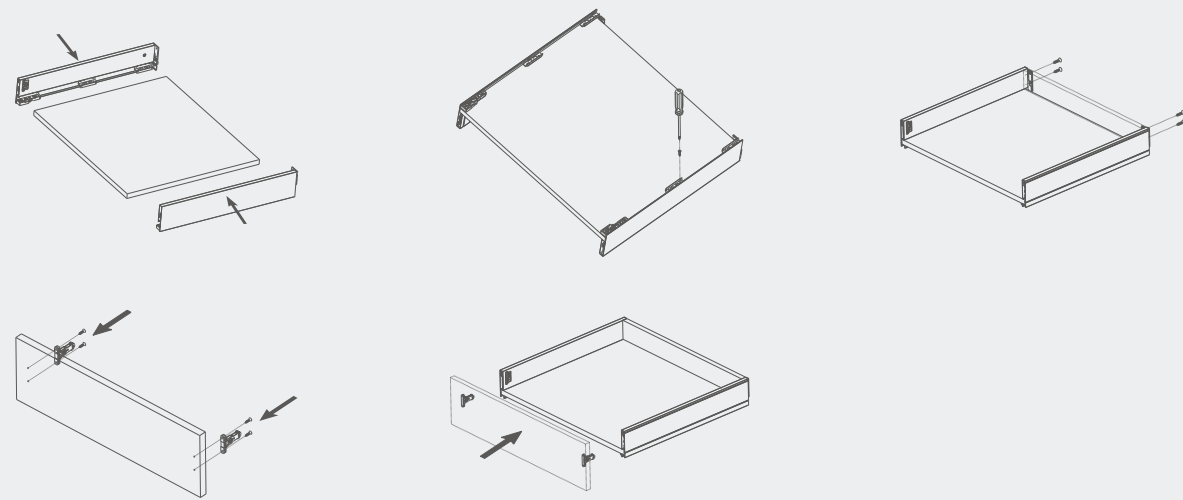


16mm (Thickness) MDF Cutting Size

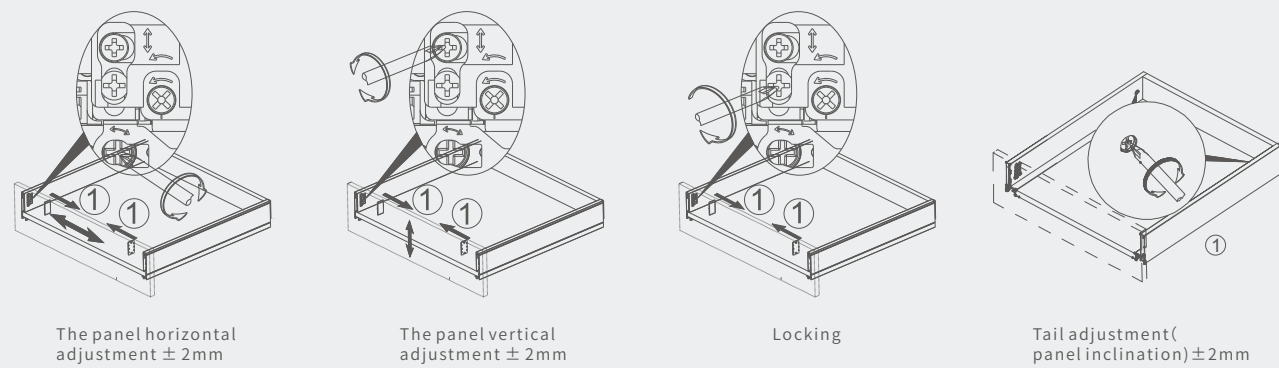


H	HT
90	60
131	101
178	148
213	183

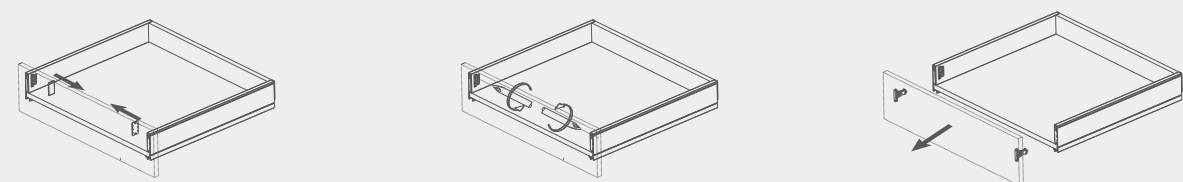
Drawer mounting



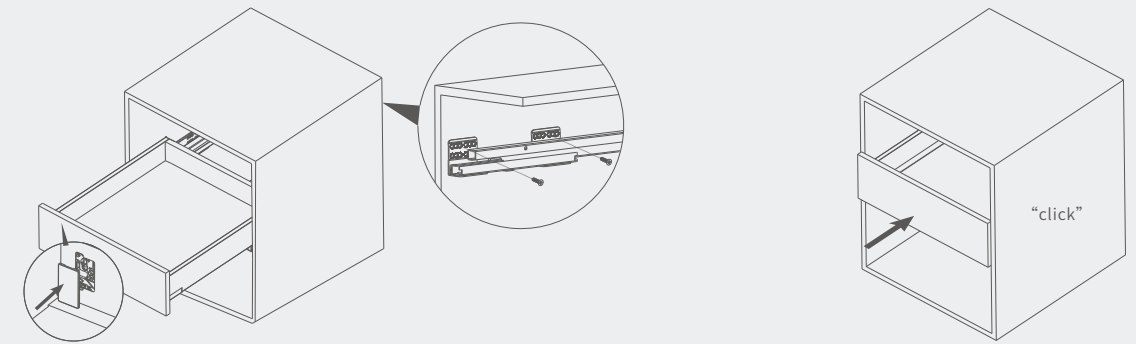
Adjustment



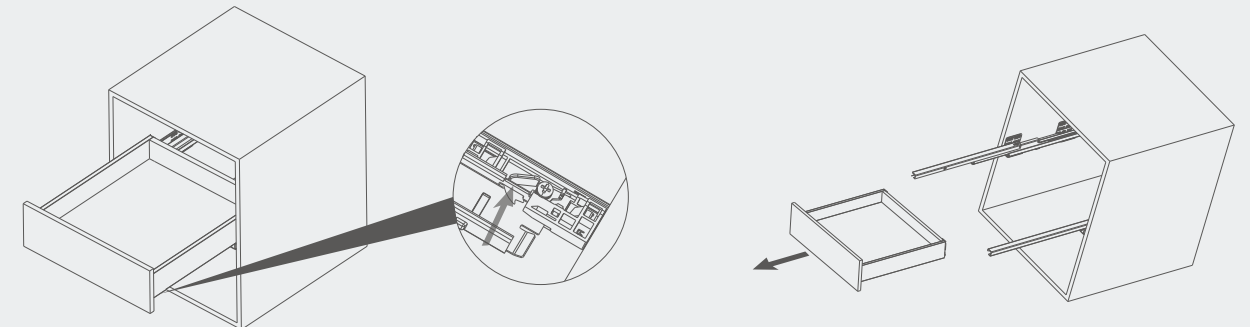
Drawer dis-assembly



Drawer mounting



Drawer dis-assembly



Internal panel mounting

